



**CRAFT
BEARINGS**

Quality Minded

CATALOG



The contents of this catalog are subjected to change without prior notice. Every possible effort has been made to ensure that the data herein is correct; however, CRAFT Bearings cannot assume any liability for any direct, indirect or consequential damages arising from the use of the information specified here.

DEEP GROOVE BALL BEARINGS SINGLE ROW 10

60 12
 62 14
 63 15
 64 17
 622 18
 623 18
 160 19
 618 21
 619 23

SMALL AND MINIATURE BEARINGS 25

617 mini 26
 618 mini 26
 619 mini 27
 60 mini 27
 62 mini 27
 63 mini 28

DEEP GROOVE BALL BEARINGS DOUBLE ROW 29

30 31
 32 31
 33 32
 38 33

ANGULAR CONTACT BALL BEARINGS 35

70 36
 72 38
 73 39
 74 41

SELF-ALIGNING BALL BEARINGS DOUBLE ROW 42

12 43
 13 43
 22 44
 23 45

THRUST BALL BEARINGS 46

511 47
 512 47
 513 48
 514 49

SPHERICAL ROLLER BEARINGS 50

222 52
 223 53
 230 55
 231 55
 232 55

TAPERED ROLLER BEARINGS 56

302 57
 303 57
 313 58
 320 58

322 59
 323 59
 329 60

CYLINDRICAL BEARINGS 61

N2, N22 63
 N3, N23 63
 NF2, NF22 65
 NF3, NF23 65
 NF4 66
 NU10 67
 NU2, NU22 67
 NU3, NU23 68
 NU4 69
 NJ10 70
 NJ2, NJ22 70
 NJ3, NJ23 71
 NJ4 72
 NUP2, NUP22 73
 NUP3, NUP23 74
 NUP4 74
 NN 75

NEEDLE ROLLER BEARINGS 77

NA49 78
 NA69 80
 HK 81
 K 83

INSERT BEARINGS 88

SA 89
 SB 90
 UK 91
 UC 92

BEARING UNITS AND BEARING HOUSINGS 93

UCP 94
 UCPA 95
 UCPH 96
 UCF 97
 UCFA 98
 UCFB 99
 UCFC 100
 UCFL 101
 UCT 102
 UCC 103
 UCHA 104

SPHERICAL PLAIN BEARINGS GE 105

GE 106

SPHERICAL PLAIN BEARINGS S 108

S 109
 SS 109
 SSP 110
 SSL 110

ROD ENDS 111

SI/SIL T/K 112

SI/SIL P/K 112

SA/SAL T/K 113

SA/SAL P/K 113

ADAPTER SLEEVES 114

H2 115

H3 115

H23 115

H30 116

H31 116

VARIOUS BEARINGS 118

Auto Clutch Release Bearings 119

Argicultural Bearings 121

Automotive Joint Cross 121

Timing Belt Tensioner Pulleys 122

Double Row Angular Contact Ball Bearings 124

Radial And Angular Contact Ball Bearings 126

Various Bearings 127

ROLLER CHAINS 129

A 130

B 131

AUTOMOTIVE BEARINGS 134

Ball Bearings 135

Tapered Roller Bearings 137

Hub Bearings 150

Hub Repairing Kits 153

Rollers 159

DAC 162



**CRAFT
BEARINGS**

CRAFT BEARINGS

Produces and supplies comprehensive range of industrial
and automotive bearings globally



MANUFACTURING

Our control of bearing factories ensures the quality of the entire manufacturing process to comply the ISO standards



PROBABLY THE BIGGEST STOCKS IN EUROPE

- 10 000 000 bearings in stock
- 11 000 M²



DEVELOPED LOGISTICS

Flexible solution for on-time delivery globally



CRAFT WORLDWIDE

Successfully works with 80 countries and expanding fast to the rest of the world!



PROFESSIONAL SERVICE

Team consisting of energetic bearing professionals provides all possible solutions necessary for bearing business today



CAREFULLY PACKED

Modern design individual box securely protects the bearing



TECHNICAL SUPPORT

Our engineers teams up with University of Technology to ensure professional technical support

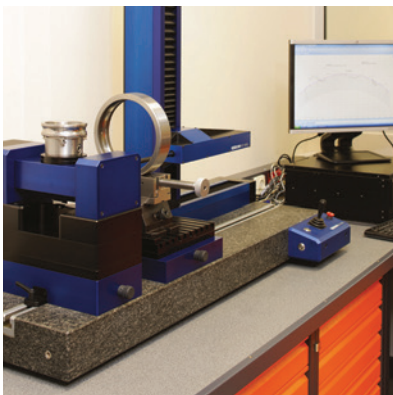
CRAFT Bearings Quality Control Laboratory

All CRAFT Bearings production is guaranteed because it is tested twice to meet high standards: first in the factory and a second time in the CRAFT Bearings Quality Control Laboratory in Kaunas, Lithuania. The CRAFT Bearings Quality Control Laboratory was established in 2012 with the help of University of Technology. We conduct all necessary tests with the latest measurement and quality-assurance systems utilizing high-quality and precise measuring equipment:

- Bearing Life (Fatigue)
- Bearing Waviness
- Noise and Vibration
- Radial and Axial clearance
- Hardness
- Geometry
- Metal structure
- Roundness
- Roughness
- Grease leakage
- Dimension measurement
- Spectroscopic analysis



Roughness, Roundness and Form analysis



Characterization of surface topography is important in applications involving friction, lubrication and wear. Generally it has been found that friction increases with average roughness.

An accurate knowledge of the expected bearing life is essential to the proper selection of ball bearings. Bearings principally fail due to fatigue if they are properly lubricated, mounted and sealed against dirt entry. Fatigue strongly correlates with the surface roughness. One of the most important fundamental forms for engineering components is the circular cross-section. Circular forms arise in many applications, particularly in bearing surfaces. Roughness, roundness and bearing forms' testers are critically important elements in the development of precision-tolerance capabilities. For such measurements, we use the German-made OPTACOM surface measuring machine VC-10-EL.

Noise and vibration testing for bearings

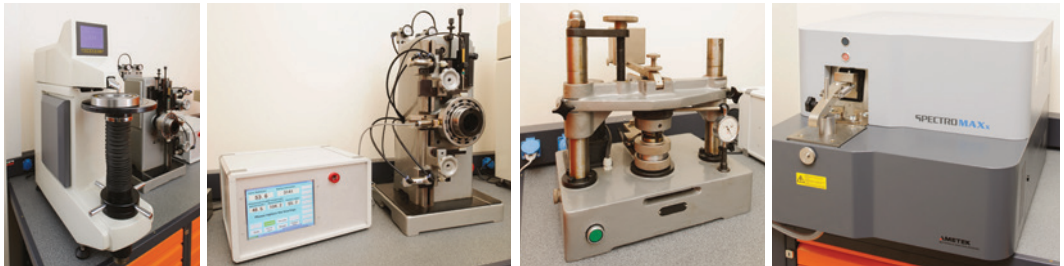
A noisy application might be caused by wavy bearing components, local defects in the rings and balls or by dirt particles in the bearing. While basic requirements for a bearing such as stiffness, load capacity, speed limit and service life play a critical role in applications, low noise and vibration are even more important.

All of these quality issues for bearings can be tested with the following bearing vibration equipment: SN-X, S9912-X. High-tech analyses and measurements such as frequency analysis and further advanced analyses pinpoint faults. Spectral masks help to optimize the bearing performance in the particular customer application. With some experience, the measurement results of these machines can also be used by experts to detect imperfect manufacturing steps. The introduction of a worldwide calibration system enables vibration equipment to operate according to international standards.



Hardness Testing for bearings

Hardness is the property of a material that enables it to resist plastic deformation, usually by penetration. Hardness is not an intrinsic material property dictated by precise definitions in terms of fundamental units of mass, length and time. A hardness property value is the result of a defined measurement procedure. The hardness test of bearing surfaces is conducted with the SHR-3000 tester using the Rockwell hardness test method. The Rockwell hardness test method consists of indenting the test material with a diamond cone or a hardened steel ball indenter. The indenter is forced into the test material under a preliminary minor load of usually 150 kg. When equilibrium has been reached, an indicating device which follows the movements of the indenter and responds to changes in depth of penetration of the indenter is set to a datum position.



Axial & Radial Internal Clearance testing for bearings

A bearing's internal clearance is defined as the total distance in which one bearing ring can be moved in relation to the other in the radial direction (radial internal clearance) or in the axial direction (axial internal clearance). Too little or too much internal clearance will significantly influence factors such as heat, vibration, noise and fatigue life. In extreme applications that produce high or low temperatures, this clearance needs to be considered in the overall design to compensate for thermal expansion and contraction of housings and shafts. Bearings having an internal clearance other than Normal are identified by the suffixes C1 to C5.

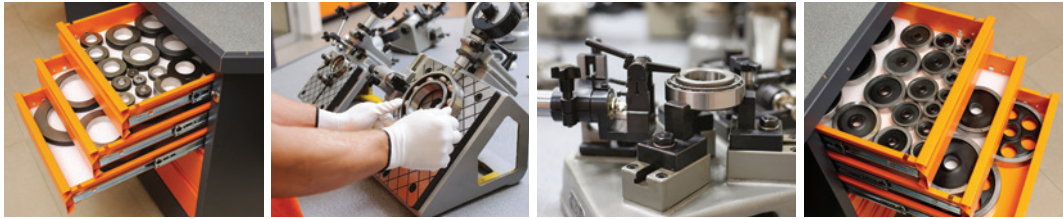
Materials testing for bearings rings and rolling elements

There are essentially two choices for the material used in ball bearings - chrome steel or stainless steel. Since the material plays a major part in the performance of a bearing in any given application, it is very important to use the correct material. Note that the specified material applies to the load-bearing components only - the rings and the balls. The retainer and the shields, if used, are usually made from a different material and are subject to separate specifications. Chrome steel is the standard material used for ball bearing applications where load capacity is the main consideration. The machinability of this steel is excellent, giving smooth, low-

noise raceway finishes together with superior life. A chrome steel material is recommended in applications where corrosion is not a factor. Stainless steel is the standard material for miniature and instrument ball bearings where corrosion resistance is more important than load capacity. These materials have evolved in response to different manufacturing and application needs. It is important to note that the actual material used is generally determined by the manufacturer and cannot be specified by the user.

The bearing's metal structure is easily determined using the analytical instrument SPECTROMAXx made in Germany. This instrument is able to monitor the carbon signal during the pre-spark phase and to recognize the existence and proportion of free graphite in the sample.

Dimension measuring for bearings parts



The Universal Length Measurer (ULM) is a kind of length measuring instrument that integrates fine mechanics, an optical system and electrical parts into an organic whole. This instrument is used for direct measurement and comparative measurement for dimensions of parts and components. It also offers additional equipment for carrying out various special measurements.

Bearing “tolerances”, or dimensional accuracy and running accuracy, are regulated by ISO standards. For dimensional accuracy, these standards prescribe the tolerances necessary when installing bearings on shafts or in housings. Running accuracy is defined as the allowable limits for bearing runout during operation. Dimensional accuracy constitutes the acceptable values for bore diameter, outer diameter, assembled bearing width and bore diameter uniformity in chamfer dimensions, allowable inner ring tapered bore deviation and shape error. Average bore diameter variation, outer diameter variation, average outer diameter unevenness as well as raceway width and height variation (for thrust bearings) are also included. Running accuracy constitutes the acceptable values for inner and outer ring radial runout and axial runout, inner ring side runout and outer ring outer diameter runout. All these dimensions of the bearing parts are measured with high-quality equipment.

Bearing life and grease leakage testing

Bearings are run to failure, using speeds and loads and continuous vibration monitoring. Bearing life testing confirms that any changes to components, materials or the manufacturing process will not negatively impact the bearing's characteristics.

Proper lubrication is a crucial factor in maximizing bearing service life. Contamination can have a great impact on the grease service life and the bearing service life itself. Using high-quality measuring and test equipment, CRAFT Bearings conducts grease-leaking and bearing-life research.





CRAFT BEARINGS

Quality Minded



INDUSTRIAL BEARINGS

DEEP GROOVE BALL BEARINGS SINGLE ROW

Series: 60.. 62.. 63.. 64.. 622.. 623.. 160.. 618.. 619..



Subject	Symbol	Description
Seal type	ZZ	Metal shields on both sides.
	2RS	Rubber seals on both sides.
	Z	Metal shield on one side.
	RS	Rubber seal on one side.
Radial internal clearance	C2	Less than normal.
	CN	Normal clearance. Is not indicated as a standard.
	C3	Greater clearance than normal.
	C4	Greater than C3.
	C5	Greater than C4.
Other technical modifications	NR	Groove with inserted snap ring in outer ring.
	N	Snap ring groove in the outer ring.
	SS	Stainless steel.
Cage type	M	Brass cage ball guided.
	MB	Brass cage, inner ring centered.
	MA	Brass cage, outer ring centered.
Speed ratings	V	Normal vibration level. Is not indicated as a standard.
	V2	Lower vibration level than normal.
	V3	Lower vibration level than V2.
	V4	Lower vibration level than V3.
Tolerances	P0	Normal tolerance level. Is not indicated as a standard.
	P6	Greater tolerance level than P0.
	P5	Greater tolerance level than P6.

Features

Single row deep groove ball bearings are most frequently used bearing type. They are versatile, self-retaining bearings with solid outer rings, inner rings and ball and cage assemblies. Due to their low frictional torque, they are suitable for high and even very high speeds and are robust in operation, little maintenance. Due to the raceway geometry and the balls used as rolling elements, deep groove ball bearings can support relatively high radial loads, as well as small axial loads.

Sealing and lubrication

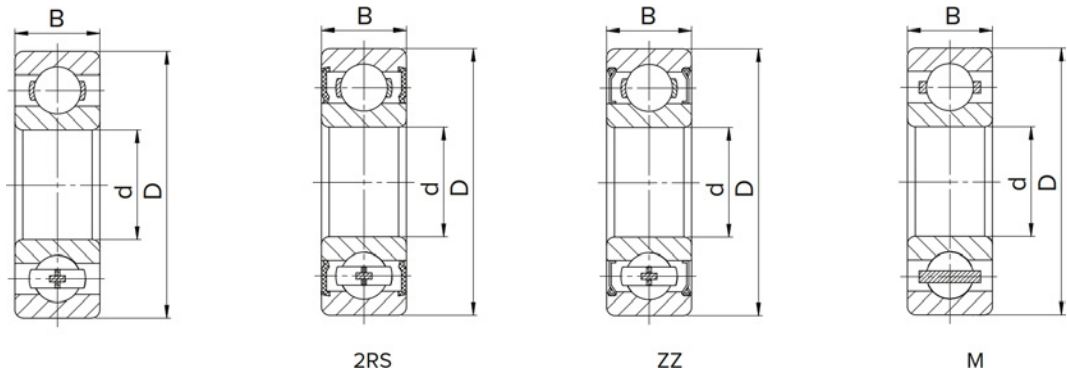
The most popular sizes of deep groove ball bearings are also produced in sealed versions. These bearings with Z and ZZ are greased using a high quality grease, lubricated for life and suitable for high speeds. Bearings with the suffix RS or 2RS have lip seals on one or both sides made from nitrile butadiene rubber. CRAFT bearings grease is a low noise bearing grease which is thickened by lithium 12-hydroxy stearic, it is made from deeply refined mineral oil with rust and oxidation inhibitors through special technical process. Applied temperature range -20 C - +120 C.

Radial internal clearance

Bearing internal clearance is defined as the total distance through which one bearing ring can be moved relative to the other in the radial direction (radial internal clearance). CRAFT bearings single row deep groove ball bearings are manufactured with normal radial internal clearance as standard (CN). Most of the bearings are also available with C3 radial internal clearance. Depending on working conditions you can choose bearing with different internal clearances, the values of radial internal clearance are in accordance to ISO 5753:1 and are valid for unmounted bearings under zero measuring load.

Cages

CRAFT single row deep groove ball bearings are supplied with one of the following cages: steel cage or brass cage. Single row deep groove ball bearings without a cage suffix have a steel cage. Most frequently deep groove ball bearing with ball-guided solid brass cages are indicated by suffix M. These brass cage bearings can also be with inner ring centered (MB), or outer ring centered (MA).



2RS

ZZ

M

ISO	GOST	Dimensions (mm)			Basic Load Rating (N)		Limiting speed (r/min)		Weight (kg)
		d	D	B	Dyn. C	Stat. C ₀	Lubrication		
							Grease	Oil	
6000	100	10	26	8	4620	1960	29000	34000	0.020
6000 ZZ	80100	10	26	8	4620	1960	29000	34000	0.020
6000 2RS	180100	10	26	8	4620	1960	19000	-	0.020
6001	101	12	28	8	5070	2360	26000	30000	0.021
6001 ZZ	80101	12	28	8	5070	2360	26000	30000	0.021
6001 2RS	180101	12	28	8	5070	2360	17000	-	0.021
6002	102	15	32	9	5590	2850	22000	26000	0.032
6002 ZZ	80102	15	32	9	5590	2850	22000	26000	0.032
6002 2RS	180102	15	32	9	5590	2850	16000	-	0.032
6003	103	17	35	10	6050	3250	20000	24000	0.039
6003 ZZ	80103	17	35	10	6050	3250	20000	24000	0.039
6003 2RS	180103	17	35	10	6050	3250	12000	-	0.039
6004	104	20	42	12	9360	5000	18000	21000	0.070
6004 ZZ	80104	20	42	12	9360	5000	18000	21000	0.070
6004 2RS	180104	20	42	12	9360	5000	10000	-	0.070
6005	105	25	47	12	11200	6550	15000	18000	0.082
6005 ZZ	80105	25	47	12	11200	6550	15000	18000	0.082
6005 2RS	180105	25	47	12	11200	6550	9000	-	0.082
6006	106	30	55	13	13300	8300	13000	15000	0.124
6006 ZZ	80106	30	55	13	13300	8300	13000	15000	0.124
6006 2RS	180106	30	55	13	13300	8300	7500	-	0.124
6007	107	35	62	14	15900	10200	12000	14000	0.161
6007 ZZ	80107	35	62	14	15900	10200	12000	14000	0.161
6007 2RS	180107	35	62	14	15900	10200	6500	-	0.161
6008	108	40	68	15	16800	11600	10000	12000	0.197
6008 ZZ	80108	40	68	15	16800	11600	10000	12000	0.197
6008 2RS	180108	40	68	15	16800	11600	5800	-	0.197
6009	109	45	75	16	20800	14600	9200	11000	0.254
6009 ZZ	80109	45	75	16	20800	14600	9200	11000	0.254
6009 2RS	180109	45	75	16	20800	14600	5300	-	0.254
6010	110	50	80	16	21600	16000	8400	9800	0.279
6010 ZZ	80110	50	80	16	21600	16000	8400	9800	0.279
6010 2RS	180110	50	80	16	21600	16000	4800	-	0.279
6011	111	55	90	18	28100	21200	7700	9000	0.405
6011 ZZ	80111	55	90	18	28100	21200	7700	9000	0.405
6011 2RS	180111	55	90	18	28100	21200	4300	-	0.405
6012	112	60	95	18	29600	23200	7000	8300	0.428
6012 ZZ	80112	60	95	18	29600	23200	7000	8300	0.428
6012 2RS	180112	60	95	18	29600	23200	4000	-	0.428
6013	113	65	100	18	30700	25000	6500	7700	0.458
6013 ZZ	80113	65	100	18	30700	25000	6500	7700	0.458
6013 2RS	180113	65	100	18	30700	25000	3700	-	0.458
6014	114	70	110	20	37700	31000	6100	7100	0.635

ISO	GOST	Dimensions (mm)			Basic Load Rating (N)		Limiting speed (r/min)		Weight (kg)
		d	D	B	Dyn. C	Stat. C ₀	Lubrication		
							Grease	Oil	
6014 ZZ	80114	70	110	20	37700	31000	6100	7100	0.635
6014 2RS	180114	70	110	20	37700	31000	3500	-	0.635
6015	115	75	115	20	39700	33500	5700	6700	0.673
6015 ZZ	80115	75	115	20	39700	33500	5700	6700	0.673
6015 2RS	180115	75	115	20	39700	33500	3300	-	0.673
6016	116	80	125	22	47500	40000	5300	6200	0.877
6016 ZZ	80116	80	125	22	47500	40000	5300	6200	0.877
6016 2RS	180116	80	125	22	47500	40000	3100	-	0.877
6017	117	85	130	22	49400	43000	5000	5900	0.932
6017 ZZ	80117	85	130	22	49400	43000	5000	5900	0.932
6017 2RS	180117	85	130	22	49400	43000	2900	-	0.932
6018	118	90	140	24	58500	50000	4700	5600	1.190
6018 ZZ	80118	90	140	24	58500	50000	4700	5600	1.190
6018 2RS	180118	90	140	24	58500	50000	2700	-	1.190
6019	119	95	145	24	60500	54000	4500	5300	1.247
6019 ZZ	80119	95	145	24	60500	54000	4500	5300	1.247
6019 2RS	180119	95	145	24	60500	54000	2500	-	1.247
6020	120	100	150	24	60500	54000	4200	5000	1.340
6020 ZZ	80120	100	150	24	60500	54000	4200	5000	1.340
6020 2RS	180120	100	150	24	60500	54000	2400	-	1.340
6021	121	105	160	26	72800	65500	4000	4700	1.690
6021 ZZ	80121	105	160	26	72800	65500	4000	4700	1.690
6021 2RS	180121	105	160	26	72800	65500	2300	-	1.690
6022	122	110	170	28	81900	73500	3800	4500	2.023
6022 ZZ	80122	110	170	28	81900	73500	3800	4500	2.023
6022 2RS	180122	110	170	28	81900	73500	2200	-	2.023
6024	124	120	180	28	85200	80000	3200	3800	2.213
6024 ZZ	80124	120	180	28	85200	80000	3200	3800	2.213
6024 2RS	180124	120	180	28	85200	80000	2100	-	2.213
6026	126	130	200	33	104000	100000	3200	3800	3.270
6026 ZZ	80126	130	200	33	104000	100000	3200	3800	3.270
6026 2RS	180126	130	200	33	104000	100000	1900	-	3.270
6028	128	140	210	33	110000	109000	3000	3500	3.547
6028 ZZ	80128	140	210	33	110000	109000	3000	3500	3.547
6028 2RS	180128	140	210	33	110000	109000	1800	-	3.547
6030	130	150	225	35	131000	124000	2800	3200	4.880
6030 ZZ	80130	150	225	35	131000	124000	2800	3200	4.880
6030 2RS	180130	150	225	35	131000	124000	1600	-	4.880
6032	132	160	240	38	136000	135000	2600	3000	6.073
6032 ZZ	80132	160	240	38	136000	135000	2600	3000	6.073
6032 2RS	180132	160	240	38	136000	135000	1500	-	6.073
6034	134	170	260	42	168000	173000	2400	2800	7.175
6034 ZZ	80134	170	260	42	168000	173000	2400	2800	7.175
6036	136	180	280	46	180000	184000	2300	2700	10.56
6036 ZZ	80136	180	280	46	180000	184000	2300	2700	10.56
6038	138	190	290	46	188000	200000	2100	2500	11.07
6038 ZZ	80138	190	290	46	188000	200000	2100	2500	11.07
6040	140	200	310	51	201000	222000	2000	2400	14.10
6040 ZZ	80140	200	310	51	201000	222000	2000	2400	14.10
6044	144	220	340	56	247000	290000	1800	2200	18.50
6048	148	240	360	56	255000	315000	1700	2000	20.00
6052	152	260	400	65	291000	375000	1500	1800	28.50
6056	156	280	420	65	325000	420000	1400	1600	31.00
6060	160	300	460	74	355000	480000	1300	1500	43.50
6064	164	320	480	74	371000	540000	1200	1400	46.00
6068	168	340	520	82	423000	640000	1100	1300	62.00

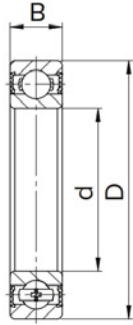
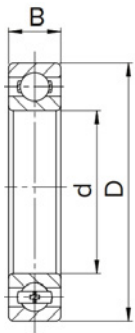
ISO	GOST	Dimensions (mm)			Basic Load Rating (N)		Limiting speed (r/min)		Weight (kg)
		d	D	B	Dyn. C	Stat. C ₀	Lubrication		
							Grease	Oil	
6072	172	360	540	82	462000	735000	1100	1200	64.50
6076	176	380	560	82	470000	750000	990	1200	67.50
6080	180	400	600	90	520000	865000	930	1100	87.50
6084	184	420	620	90	530000	895000	880	1000	91.00
6200	200	10	30	9	5070	2360	25000	30000	0.031
6200 ZZ	80200	10	30	9	5070	2360	25000	30000	0.031
6200 2RS	180200	10	30	9	5070	2360	17000	-	0.031
6201	201	12	32	10	6890	3100	22000	26000	0.038
6201 ZZ	80201	12	32	10	6890	3100	22000	26000	0.038
6201 2RS	180201	12	32	10	6890	3100	15000	-	0.038
6202	202	15	35	11	7800	3750	19000	23000	0.044
6202 ZZ	80202	15	35	11	7800	3750	19000	23000	0.044
6202 2RS	180202	15	35	11	7800	3750	13000	-	0.044
6203	203	17	40	12	9560	4750	18000	21000	0.066
6203 ZZ	80203	17	40	12	9560	4750	18000	21000	0.066
6203 2RS	180203	17	40	12	9560	4750	12000	-	0.066
6204	204	20	47	14	12700	6550	16000	18000	0.109
6204 ZZ	80204	20	47	14	12700	6550	16000	18000	0.109
6204 2RS	180204	20	47	14	12700	6550	10000	-	0.109
6205	205	25	52	15	14000	7800	13000	15000	0.133
6205 ZZ	80205	25	52	15	14000	7800	13000	15000	0.133
6205 2RS	180205	25	52	15	14000	7800	8500	-	0.133
6206	206	30	62	16	19500	11200	11000	13000	0.200
6206 ZZ	80206	30	62	16	19500	11200	11000	13000	0.200
6206 2RS	180206	30	62	16	19500	11200	7500	-	0.200
6207	207	35	72	17	25500	15300	9800	11000	0.299
6207 ZZ	80207	35	72	17	25500	15300	9800	11000	0.299
6207 2RS	180207	35	72	17	25500	15300	6300	-	0.299
6208	208	40	80	18	30700	19000	8700	10000	0.379
6208 ZZ	80208	40	80	18	30700	19000	8700	10000	0.379
6208 2RS	180208	40	80	18	30700	19000	5600	-	0.379
6209	209	45	85	19	33200	21600	7800	9200	0.430
6209 ZZ	80209	45	85	19	33200	21600	7800	9200	0.430
6209 2RS	180209	45	85	19	33200	21600	5000	-	0.430
6210	210	50	90	20	35100	23200	7100	8300	0.475
6210 ZZ	80210	50	90	20	35100	23200	7100	8300	0.475
6210 2RS	180210	50	90	20	35100	23200	4800	-	0.475
6211	211	55	100	21	43600	29000	6400	7600	0.625
6211 ZZ	80211	55	100	21	43600	29000	6400	7600	0.625
6211 2RS	180211	55	100	21	43600	29000	4300	-	0.625
6212	212	60	110	22	47500	32500	6000	7000	0.797
6212 ZZ	80212	60	110	22	47500	32500	6000	7000	0.797
6212 2RS	180212	60	110	22	47500	32500	3700	-	0.797
6213	213	65	120	23	55900	40500	5500	6500	1.017
6213 ZZ	80213	65	120	23	55900	40500	5500	6500	1.017
6213 2RS	180213	65	120	23	55900	40500	3500	-	1.017
6214	214	70	125	24	60500	45000	5100	6000	1.110
6214 ZZ	80214	70	125	24	60500	45000	5100	6000	1.110
6214 2RS	180214	70	125	24	60500	45000	3300	-	1.110
6215	215	75	130	25	66300	49000	4800	5600	1.210
6215 ZZ	80215	75	130	25	66300	49000	4800	5600	1.210
6215 2RS	180215	75	130	25	66300	49000	3100	-	1.210
6216	216	80	140	26	70200	55000	4500	5300	1.460
6216 ZZ	80216	80	140	26	70200	55000	4500	5300	1.460
6216 2RS	180216	80	140	26	70200	55000	2900	-	1.460
6217	217	85	150	28	83200	64000	4200	5000	1.847
6217 ZZ	80217	85	150	28	83200	64000	4200	5000	1.847
6217 2RS	180217	85	150	28	83200	64000	2700	-	1.847
6218	218	90	160	30	95600	73500	4000	4700	2.223

ISO	GOST	Dimensions (mm)			Basic Load Rating (N)		Limiting speed (r/min)		Weight (kg)
		d	D	B	Dyn. C	Stat. C ₀	Lubrication		
							Grease	Oil	
6218 ZZ	80218	90	160	30	95600	73500	4000	4700	2.223
6218 2RS	180218	90	160	30	95600	73500	2600	-	2.223
6219	219	95	170	32	108000	81500	3700	4400	2.713
6219 ZZ	80219	95	170	32	108000	81500	3700	4400	2.713
6219 2RS	180219	95	170	32	108000	81500	2400	-	2.713
6220	220	100	180	34	124000	93000	3500	4200	3.321
6220 ZZ	80220	100	180	34	124000	93000	3500	4200	3.321
6220 2RS	180220	100	180	34	124000	93000	2300	-	3.321
6221	221	105	190	36	133000	104000	3400	4000	3.717
6221 ZZ	80221	105	190	36	133000	104000	3400	4000	3.717
6221 2RS	180221	105	190	36	133000	105000	2200	-	3.717
6222	222	110	200	38	143000	118000	3200	3800	4.340
6222 ZZ	80222	110	200	38	143000	118000	3200	3800	4.340
6222 2RS	180222	110	200	38	143000	118000	2000	-	4.340
6224	224	120	215	40	148000	131000	2900	3400	5.100
6224 ZZ	80224	120	215	40	148000	131000	2900	3400	5.100
6224 2RS	180224	120	215	40	148000	131000	1900	-	5.100
6226	226	130	230	40	156000	146000	2700	3100	5.615
6226 ZZ	80226	130	230	40	156000	146000	2700	3100	5.615
6228	228	140	250	42	165000	150000	2500	2900	7.485
6228 ZZ	80228	140	250	42	165000	150000	2500	2900	7.485
6230	230	150	270	45	174000	166000	2300	2700	9.475
6230 ZZ	80230	150	270	45	174000	166000	2300	2700	9.475
6232	232	160	290	48	186000	186000	2100	2500	14.590
6232 ZZ	80232	160	290	48	186000	186000	2100	2500	14.590
6234	234	170	310	52	212000	224000	2000	2400	17.570
6234 ZZ	80234	170	310	52	212000	224000	2000	2400	17.570
6236	236	180	320	52	229000	240000	1900	2200	18.600
6236 ZZ	80236	180	320	52	229000	240000	1900	2200	18.600
6238	238	190	340	55	255000	280000	1800	2100	22.800
6240	240	200	360	58	270000	310000	1700	2000	28.000
6244	244	220	400	65	296000	365000	1500	1800	32.40
6248	248	240	440	72	340000	431000	1300	1600	51.00
6252	252	260	480	80	390000	530000	1100	1400	65.50
6256	256	280	500	80	423000	600000	1100	1400	71.00
6260	260	300	540	85	441000	663000	1000	1350	89.50
6264	264	320	580	92	489000	744000	950	1200	113.00
6268	268	340	620	92	511000	817000	900	1100	131.00
6272	272	360	650	95	557000	904000	850	1000	144.00
6276	276	380	680	95	584000	990000	800	900	162.00
6280	280	400	720	103	628000	1080000	700	800	197.00
6300	300	10	35	11	8060	3400	23000	27000	0.054
6300 ZZ	80300	10	35	11	8060	3400	23000	27000	0.054
6300 2RS	180300	10	35	11	8060	3400	15000	-	0.054
6301	301	12	37	12	9750	4150	20000	24000	0.063
6301 ZZ	80301	12	37	12	9750	4150	20000	24000	0.063
6301 2RS	180301	12	37	12	9750	4150	14000	-	0.063
6302	302	15	42	13	11400	5400	17000	21000	0.087
6302 ZZ	80302	15	42	13	11400	5400	17000	21000	0.087
6302 2RS	180302	15	42	13	11400	5400	12000	-	0.087
6303	303	17	47	14	13500	6550	16000	19000	0.117
6303 ZZ	80303	17	47	14	13500	6550	16000	19000	0.117
6303 2RS	180303	17	47	14	13500	6550	11000	-	0.117
6304	304	20	52	15	15900	7800	14000	17000	0.153
6304 ZZ	80304	20	52	15	15900	7800	14000	17000	0.153
6304 2RS	180304	20	52	15	15900	7800	9500	-	0.153
6305	305	25	62	17	22500	11600	12000	14000	0.238
6305 ZZ	80305	25	62	17	22500	11600	12000	14000	0.238
6305 2RS	180305	25	62	17	22500	11600	7500	-	0.238

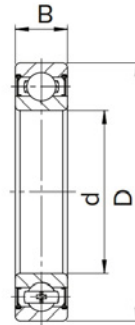
ISO	GOST	Dimensions (mm)			Basic Load Rating (N)		Limiting speed (r/min)		Weight (kg)
		d	D	B	Dyn. C	Stat. C ₀	Lubrication		
							Grease	Oil	
6306	306	30	72	19	28100	16000	10000	12000	0.360
6306 ZZ	80306	30	72	19	28100	16000	10000	12000	0.360
6306 2RS	180306	30	72	19	28100	16000	6300	-	0.360
6307	307	35	80	21	33200	19000	8800	10000	0.467
6307 ZZ	80307	35	80	21	33200	19000	8800	10000	0.467
6307 2RS	180307	35	80	21	33200	19000	6000	-	0.467
6308	308	40	90	23	41000	24000	7800	9200	0.640
6308 ZZ	80308	40	90	23	41000	24000	7800	9200	0.640
6308 2RS	180308	40	90	23	41000	24000	5000	-	0.640
6309	309	45	100	25	52700	31500	7000	8200	0.843
6309 ZZ	80309	45	100	25	52700	31500	7000	8200	0.843
6309 2RS	180309	45	100	25	52700	31500	4500	-	0.843
6310	310	50	110	27	61800	38000	6400	7500	1.097
6310 ZZ	80310	50	110	27	61800	38000	6400	7500	1.097
6310 2RS	180310	50	110	27	61800	38000	4300	-	1.097
6311	311	55	120	29	71500	45000	5800	6800	1.377
6311 ZZ	80311	55	120	29	71500	45000	5800	6800	1.377
6311 2RS	180311	55	120	29	71500	45000	3800	-	1.377
6312	312	60	130	31	81900	52000	5400	6300	1.733
6312 ZZ	80312	60	130	31	81900	52000	5400	6300	1.733
6312 2RS	180312	60	130	31	81900	52000	3400	-	1.733
6313	313	65	140	33	92300	60000	4900	5800	2.153
6313 ZZ	80313	65	140	33	92300	60000	4900	5800	2.153
6313 2RS	180313	65	140	33	92300	60000	3200	-	2.153
6314	314	70	150	35	104000	68000	4600	5400	2.560
6314 ZZ	80314	70	150	35	104000	68000	4600	5400	2.560
6314 2RS	180314	70	150	35	104000	68000	3000	-	2.560
6315	315	75	160	37	111400	76500	4300	5000	3.120
6315 ZZ	80315	75	160	37	111400	76500	4300	5000	3.120
6315 2RS	180315	75	160	37	111400	76500	2800	-	3.120
6316	316	80	170	39	124000	86500	4000	4700	3.680
6316 ZZ	80316	80	170	39	124000	86500	4000	4700	3.680
6316 2RS	180316	80	170	39	124000	86500	2700	-	3.680
6317	317	85	180	41	133000	96500	3800	4500	4.303
6317 ZZ	80317	85	180	41	133000	96500	3800	4500	4.303
6317 2RS	180317	85	180	41	133000	96500	2500	-	4.303
6318	318	90	190	43	143000	108000	3600	4200	4.967
6318 ZZ	80318	90	190	43	143000	108000	3600	4200	4.967
6318 2RS	180318	90	190	43	143000	108000	2400	-	4.967
6319	319	95	200	45	153000	118000	3300	3900	5.710
6319 ZZ	80319	95	200	45	153000	118000	3300	3900	5.710
6319 2RS	180319	95	200	45	153000	118000	2200	-	5.710
6320	320	100	215	47	174000	140000	3200	3700	7.633
6320 ZZ	80320	100	215	47	174000	140000	3200	3700	7.633
6320 2RS	180320	100	215	47	174000	140000	2100	-	7.633
6321	321	105	225	49	182000	153000	3000	3600	8.677
6321 ZZ	80321	105	225	49	182000	153000	3000	3600	8.677
6321 2RS	180321	105	225	49	182000	153000	1900	-	8.677
6322	322	110	240	50	203000	180000	2900	3400	9.603
6322 ZZ	80322	110	240	50	203000	180000	2900	3400	9.603
6322 2RS	180322	110	240	50	203000	180000	1600	-	9.603
6324	324	120	260	55	208000	186000	2600	3100	12.750
6324 ZZ	80324	120	260	55	208000	186000	2600	3100	12.750
6326	326	130	280	58	230000	216000	2400	2800	18.400
6326 ZZ	80326	130	280	58	230000	216000	2400	2800	18.400
6328	328	140	300	62	251000	245000	2200	2600	22.000
6328 ZZ	80328	140	300	62	251000	245000	2200	2600	22.000
6330	330	150	320	65	276000	285000	2000	2400	23.000
6332	332	160	340	68	285000	300000	1900	2300	29.000

ISO	GOST	Dimensions (mm)			Basic Load Rating (N)		Limiting speed (r/min)		Weight (kg)
		d	D	B	Dyn. C	Stat. C ₀	Lubrication		
							Grease	Oil	
6334	334	170	360	72	312000	340000	1800	2100	34.500
6336	336	180	380	75	351000	405000	1700	2000	42.500
6338	338	190	400	78	371000	430000	1600	1900	49.000
6340	340	200	420	80	377000	465000	1500	1800	55.500
6344	344	220	460	88	410000	520000	1400	1600	60.800
6348	348	240	500	95	470000	624000	1300	1500	93.300
6352	352	260	540	102	531000	741000	1200	1400	116.000
6356	356	280	580	108	568000	845000	1100	1300	145.000
6360	360	300	620	109	593000	886000	1000	1150	169.000
6364	364	320	670	112	634000	1010000	900	1050	207.000
6368	368	340	710	118	704000	1160000	800	950	238.000
6403	403	17	62	17	22900	10800	13000	15000	0.270
6403 ZZ	80403	17	62	17	22900	10800	13000	15000	0.270
6403 2RS	180403	17	62	17	22900	10800	8000	-	0.270
6404	404	20	72	19	31000	15200	9500	12000	0.400
6404 ZZ	80404	20	72	19	31000	15200	9500	12000	0.400
6404 2RS	180404	20	72	19	31000	15200	6300	-	0.400
6405	405	25	80	21	35800	19300	8500	10000	0.530
6405 ZZ	80405	25	80	21	35800	19300	8500	10000	0.530
6405 2RS	180405	25	80	21	35800	19300	5600	-	0.530
6406	406	30	90	23	43600	23600	7500	9000	0.740
6406 ZZ	80406	30	90	23	43600	23600	7500	9000	0.740
6406 2RS	180406	30	90	23	43600	23600	5000	-	0.740
6407	407	35	100	25	55300	31000	6700	8000	0.950
6407 ZZ	80407	35	100	25	55300	31000	6700	8000	0.950
6407 2RS	180407	35	100	25	55300	31000	4500	-	0.950
6408	408	40	110	27	63700	36500	6000	7000	1.250
6408 ZZ	80408	40	110	27	63700	36500	6000	7000	1.250
6408 2RS	180408	40	110	27	63700	36500	4000	-	1.250
6409	409	45	120	29	76100	45000	5300	6300	1.550
6409 ZZ	80409	45	120	29	76100	45000	5300	6300	1.550
6409 2RS	180409	45	120	29	76100	45000	3600	-	1.550
6410	410	50	130	31	87100	52000	5000	6000	1.900
6410 ZZ	80410	50	130	31	87100	52000	5000	6000	1.900
6410 2RS	180410	50	130	31	87100	52000	3400	-	1.900
6411	411	55	140	33	99500	62000	4500	5300	2.300
6411 ZZ	80411	55	140	33	99500	62000	4500	5300	2.300
6411 2RS	180411	55	140	33	99500	62000	3000	-	2.300
6412	412	60	150	35	108000	69500	4300	5000	2.750
6412 ZZ	80412	60	150	35	108000	69500	4300	5000	2.750
6412 2RS	180412	60	150	35	108000	69500	2800	-	2.750
6413	413	65	160	37	119000	78000	4000	4800	3.300
6413 ZZ	80413	65	160	37	119000	78000	4000	4800	3.300
6413 2RS	180413	65	160	37	119000	78000	2600	-	3.300
6414	414	70	180	42	143000	10400	3800	4500	4.850
6414 ZZ	80414	70	180	42	143000	10400	3800	4500	4.850
6414 2RS	180414	70	180	42	143000	10400	2500	-	4.850
6415	415	75	190	45	153000	114000	3700	4400	6.800
6415 ZZ	80415	75	190	45	153000	114000	3700	4400	6.800
6415 2RS	180415	75	190	45	153000	114000	2300	-	6.800
6416	416	80	200	48	162000	125000	3600	4200	6.422
6416 ZZ	80416	80	200	48	162000	125000	3600	4200	6.422
6416 2RS	180416	80	200	48	162000	125000	2100	-	6.422
6417	417	85	210	52	174000	137000	3400	4000	9.500
6417 ZZ	80417	85	210	52	174000	137000	3400	4000	9.500
6417 2RS	180417	85	210	52	174000	137000	1800	-	9.500
6418	418	90	225	54	186000	150000	3200	3800	9.560
6418 ZZ	80418	90	225	54	186000	150000	3200	3800	9.560
6418 2RS	180418	90	225	54	186000	150000	1400	-	9.560

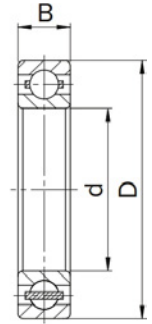
ISO	GOST	Dimensions (mm)			Basic Load Rating (N)		Limiting speed (r/min)		Weight (kg)
		d	D	B	Dyn. C	Stat. C ₀	Lubrication		
							Grease	Oil	
6419	419	95	240	55	188000	153000	3000	3500	11.000
6419 ZZ	80419	95	240	55	188000	153000	3000	3500	11.000
6419 2RS	180419	95	240	55	188000	153000	1100	-	11.000
6420	420	100	250	58	206000	175000	2900	3400	12.900
6420 ZZ	80420	100	250	58	206000	175000	2900	3400	12.900
6420 2RS	180420	100	250	58	206000	175000	900	-	12.900
6421	421	105	260	60	222000	179000	2700	3200	16.800
6422	422	110	280	65	247000	227000	2600	3000	21.300
6424	424	120	310	72	291000	287000	2300	2800	29.000
6426	426	130	340	78	300000	298000	2200	2500	38.000
62200 2RS	180500	10	30	14	5100	2400	17000	-	0.045
62201 2RS	180501	12	32	14	6900	3100	15000	-	0.048
62202 2RS	180502	15	35	14	7800	3750	13000	-	0.054
62203 2RS	180503	17	40	16	9500	4750	12000	-	0.083
62204 2RS	180504	20	47	18	12700	6550	10000	-	0.130
62205 2RS	180505	25	52	18	14000	7800	8500	-	0.150
62206 2RS	180506	30	62	20	16500	11200	7500	-	0.243
62207 2RS	180507	35	72	23	25500	15300	6300	-	0.388
62208 2RS	180508	40	80	23	30700	19000	5600	-	0.471
62209 2RS	180509	45	85	23	33200	21600	5000	-	0.523
62210 2RS	180510	50	90	23	35100	23200	4800	-	0.550
62211 2RS	180511	55	100	25	43600	29000	4300	-	0.700
62212 2RS	180512	60	110	28	47500	32500	4000	-	0.970
62213 2RS	180513	65	120	31	55900	40500	3600	-	1.250
62214 2RS	180514	70	125	31	60500	45000	3400	-	1.300
62300 2RS	180600	10	35	17	8000	3400	15000	-	0.060
62301 2RS	180601	12	37	17	9750	4150	14000	-	0.070
62302 2RS	180602	15	42	17	11400	5400	12000	-	0.110
62303 2RS	180603	17	47	19	13500	6550	11000	-	0.150
62304 2RS	180604	20	52	21	15900	7800	9500	-	0.207
62305 2RS	180605	25	62	24	22500	11600	7500	-	0.326
62306 2RS	180606	30	72	27	28100	16000	6300	-	0.493
62307 2RS	180607	35	80	31	33200	19000	6000	-	0.680
62308 2RS	180608	40	90	33	41000	24000	5000	-	0.890
62309 2RS	180609	45	100	36	52700	31500	4500	-	1.190
62310 2RS	180610	50	110	40	61800	38000	4300	-	1.500
62311 2RS	180611	55	120	43	71500	45000	3800	-	1.950
62312 2RS	180612	60	130	46	81900	52000	3400	-	2.500
62313 2RS	180613	65	140	48	92300	60000	3200	-	3.000
62314 2RS	180614	70	150	51	104000	68000	3000	-	3.550



2RS



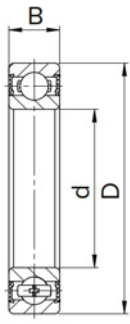
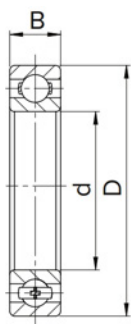
ZZ



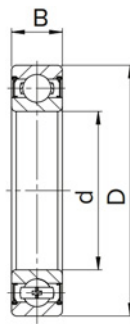
M

ISO	GOST	Dimensions (mm)			Basic Load Rating (N)		Limiting speed (r/min)		Weight (kg)
							Lubrication		
		d	D	B	Dyn. C	Stat. C ₀	Grease	Oil	
16001	7000101	12	28	7	5100	2390	26000	30000	0.022
16001 ZZ	7000101 ZZ	12	28	7	5100	2390	26000	30000	0.022
16001 2RS	7000101 2RS	12	28	7	5100	2390	26000	-	0.022
16002	7000102	15	32	8	5590	2850	22000	26000	0.025
16002 ZZ	7000102 ZZ	15	32	8	5590	2850	22000	26000	0.025
16002 2RS	7000102 2RS	15	32	8	5590	2850	22000	-	0.025
16003	7000103	17	35	8	6050	3250	20000	24000	0.032
16003 ZZ	7000103 ZZ	17	35	8	6050	3250	20000	24000	0.032
16003 2RS	7000103 2RS	17	35	8	6050	3250	20000	-	0.032
16004	7000104	20	42	8	6890	4500	18000	21000	0.050
16004 ZZ	7000104 ZZ	20	42	8	6890	4500	18000	21000	0.050
16004 2RS	7000104 2RS	20	42	8	6890	4500	18000	-	0.050
16005	7000105	25	47	8	7610	4750	15000	18000	0.060
16005 ZZ	7000105 ZZ	25	47	8	7610	4750	15000	18000	0.060
16005 2RS	7000105 2RS	25	47	8	7610	4750	15000	-	0.060
16006	7000106	30	55	9	11200	7350	13000	15000	0.085
16006 ZZ	7000106 ZZ	30	55	9	11200	7350	13000	15000	0.085
16006 2RS	7000106 2RS	30	55	9	11200	7350	13000	-	0.085
16007	7000107	35	62	9	12400	8150	12000	14000	0.110
16007 ZZ	7000107 ZZ	35	62	9	12400	8150	12000	14000	0.110
16007 2RS	7000107 2RS	35	62	9	12400	8150	12000	-	0.110
16008	7000108	40	68	9	13300	9150	10000	12000	0.130
16008 ZZ	7000108 ZZ	40	68	9	13300	9150	10000	12000	0.130
16008 2RS	7000108 2RS	40	68	9	13300	9150	10000	-	0.130
16009	7000109	45	75	10	15600	10800	9200	11000	0.170
16009 ZZ	7000109 ZZ	45	75	10	15600	10800	9200	11000	0.170
16009 2RS	7000109 2RS	45	75	10	15600	10800	9200	-	0.170
16010	7000110	50	80	10	16300	11400	8400	9800	0.180
16010 ZZ	7000110 ZZ	50	80	10	16300	11400	8400	9800	0.180
16010 2RS	7000110 2RS	50	80	10	16300	11400	8400	-	0.180
16011	7000111	55	90	11	19500	14000	7700	9000	0.260
16011 ZZ	7000111 ZZ	55	90	11	19500	14000	7700	9000	0.260
16011 2RS	7000111 2RS	55	90	11	19500	14000	7700	-	0.260
16012	7000112	60	95	11	19900	15000	7000	8300	0.280
16012 ZZ	7000112 ZZ	60	95	11	19900	15000	7000	8300	0.280
16012 2RS	7000112 2RS	60	95	11	19900	15000	7000	-	0.280
16013	7000113	65	100	11	21200	16600	6500	7700	0.300
16013 ZZ	7000113 ZZ	65	100	11	21200	16600	6500	7700	0.300
16013 2RS	7000113 2RS	65	100	11	21200	16600	6500	-	0.300
16014	7000114	70	110	13	27800	25000	6000	7100	0.430
16014 ZZ	7000114 ZZ	70	110	13	27800	25000	6000	7100	0.430
16014 2RS	7000114 2RS	70	110	13	27800	25000	6000	-	0.430
16015	7000115	75	115	13	28600	27000	5600	6600	0.460

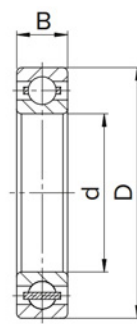
ISO	GOST	Dimensions (mm)			Basic Load Rating (N)		Limiting speed (r/min)		Weight (kg)
		d	D	B	Dyn. C	Stat. C ₀	Lubrication		
							Grease	Oil	
16015 ZZ	7000115 ZZ	75	115	13	28600	27000	5600	6600	0.460
16015 2RS	7000115 2RS	75	115	13	28600	27000	5600	-	0.460
16016	7000116	80	125	14	33200	31500	5300	6200	0.600
16016 ZZ	7000116 ZZ	80	125	14	33200	31500	5300	6200	0.600
16016 2RS	7000116 2RS	80	125	14	33200	31500	5300	-	0.600
16017	7000117	85	130	14	33800	33500	5000	5900	0.630
16017 ZZ	7000117 ZZ	85	130	14	33800	33500	5000	5900	0.630
16017 2RS	7000117 2RS	85	130	14	33800	33500	5000	-	0.630
16018	7000118	90	140	16	33500	33500	4700	5600	0.850
16018 ZZ	7000118 ZZ	90	140	16	33500	33500	4700	5600	0.850
16018 2RS	7000118 2RS	90	140	16	33500	33500	4700	-	0.850
16019	7000119	95	145	16	34500	35000	4500	5300	0.890
16019 ZZ	7000119 ZZ	95	145	16	34500	35000	4500	5300	0.890
16019 2RS	7000119 2RS	95	145	16	34500	33500	4500	-	0.890
16020	7000120	100	150	16	44200	44000	4200	5000	0.910
16020 ZZ	7000120 ZZ	100	150	16	35000	36500	4200	5000	0.910
16020 2RS	7000120 2RS	100	150	16	35000	36500	4200	-	0.910
16021	7000121	105	160	18	52000	51000	4000	4700	1.200
16022	7000122	110	170	19	57200	57000	3800	4500	1.450
16024	7000124	120	180	19	60500	64000	3500	4100	1.600
16026	7000126	130	200	22	79300	81500	3200	3800	2.350
16028	7000128	140	210	22	80600	86500	3000	3500	2.500
16030	7000130	150	225	24	92300	98000	2800	3200	3.150
16032	7000132	160	240	25	99500	108000	2600	3000	3.700
16034	7000134	170	260	28	119000	129000	2400	2800	5.000
16036	7000136	180	280	31	138000	146000	2300	2700	6.600
16038	7000138	190	290	31	148000	166000	2100	2500	7.900
16040	7000140	200	310	34	168000	190000	2000	2400	8.850
16044	7000144	220	340	37	174000	204000	1800	2200	11.500
16048	7000148	240	360	37	178000	217000	1700	2000	12.100
16052	7000152	260	400	44	227000	299000	1500	1800	18.500
16056	7000156	280	420	44	232000	315000	1400	1600	23.000
16060	7000160	300	460	50	292000	410000	1300	1500	32.500
16064	7000164	320	480	50	300000	440000	1200	1400	34.200
16068	7000168	340	520	57	340000	515000	1100	1300	47.100
16072	7000172	360	540	57	350000	550000	1100	1200	49.300
16076	7000176	380	560	57	377000	620000	950	1200	51.000
16080	7000180	400	600	63	358000	587000	890	1080	65.000
16084	7000184	420	620	63	367000	617000	810	1000	69.900
16088	7000188	440	650	67	407000	710000	730	920	81.700
16092	7000192	460	680	71	431000	767000	650	840	91.200
16096	7000196	480	700	71	444000	807000	570	760	98.500



2RS



ZZ



M

ISO	GOST	Dimensions (mm)			Basic Load Rating (N)		Limiting speed (r/min)		Weight (kg)
							Lubrication		
		d	D	B	Dyn. C	Stat. C ₀	Grease	Oil	
61800	1000800	10	19	5	1380	585	32000	38000	0.005
61800 ZZ	1000800 ZZ	10	19	5	1380	585	32000	38000	0.005
61800 2RS	1000800 2RS	10	19	5	1380	585	20000	-	0.005
61801	1000801	12	21	5	1430	670	29000	35000	0.006
61801 ZZ	1000801 ZZ	12	21	5	1430	670	29000	35000	0.006
61801 2RS	1000801 2RS	12	21	5	1430	670	19000	-	0.006
61802	1000802	15	24	5	1560	800	26000	31000	0.007
61802 ZZ	1000802 ZZ	15	24	5	1560	800	26000	31000	0.007
61802 2RS	1000802 2RS	15	24	5	1560	800	17000	-	0.007
61803	1000803	17	26	5	1680	930	24000	28000	0.008
61803 ZZ	1000803 ZZ	17	26	5	1680	930	24000	28000	0.008
61803 2RS	1000803 2RS	17	26	5	1680	930	16000	-	0.008
61804	1000804	20	32	7	2700	1500	21000	25000	0.018
61804 ZZ	1000804 ZZ	20	32	7	2700	1500	21000	25000	0.018
61804 2RS	1000804 2RS	20	32	7	2700	1500	13000	-	0.018
61805	1000805	25	37	7	4360	2600	18000	21000	0.022
61805 ZZ	1000805 ZZ	25	37	7	4360	2600	18000	21000	0.022
61805 2RS	1000805 2RS	25	37	7	4360	2600	11000	-	0.022
61806	1000806	30	42	7	4490	2900	15000	18000	0.027
61806 ZZ	1000806 ZZ	30	42	7	4490	2900	15000	18000	0.027
61806 2RS	1000806 2RS	30	42	7	4490	2900	9500	-	0.027
61807	1000807	35	47	7	4750	3200	13000	16000	0.030
61807 ZZ	1000807 ZZ	35	47	7	4750	3200	13000	16000	0.030
61807 2RS	1000807 2RS	35	47	7	4750	3200	8000	-	0.030
61808	1000808	40	52	7	4940	3450	12000	14000	0.034
61808 ZZ	1000808 ZZ	40	52	7	4940	3450	12000	14000	0.034
61808 2RS	1000808 2RS	40	52	7	4940	3450	7500	-	0.034
61809	1000809	45	58	7	6050	4300	11000	12000	0.040
61809 ZZ	1000809 ZZ	45	58	7	6050	4300	11000	12000	0.040
61809 2RS	1000809 2RS	45	58	7	6050	4300	6700	-	0.040
61810	1000810	50	65	7	6240	4750	9600	11000	0.052
61810 ZZ	1000810 ZZ	50	65	7	6240	4750	9600	11000	0.052
61810 2RS	1000810 2RS	50	65	7	6240	4750	6000	-	0.052
61811	1000811	55	72	9	8320	6200	8700	10000	0.083
61811 ZZ	1000811 ZZ	55	72	9	8320	6200	8700	10000	0.083
61811 2RS	1000811 2RS	55	72	9	8320	6200	5300	-	0.083
61812	1000812	60	78	10	8710	6700	8000	9400	0.110
61812 ZZ	1000812 ZZ	60	78	10	8710	6700	8000	9400	0.110
61812 2RS	1000812 2RS	60	78	10	8710	6700	4800	-	0.110
61813	1000813	65	85	10	12000	11500	7400	8700	0.130
61813 ZZ	1000813 ZZ	65	85	10	12000	11500	7400	8700	0.130
61813 2RS	1000813 2RS	65	85	10	12000	11500	4500	-	0.130
61814	1000814	70	90	10	12100	11900	6900	8100	0.140

ISO	GOST	Dimensions (mm)			Basic Load Rating (N)		Limiting speed (r/min)		Weight (kg)
		d	D	B	Dyn. C	Stat. C ₀	Lubrication		
							Grease	Oil	
61814 ZZ	1000814 ZZ	70	90	10	12100	11900	6900	8100	0.140
61814 2RS	1000814 2RS	70	90	10	12100	11900	4300	-	0.140
61815	1000815	75	95	10	12500	10800	6400	7600	0.150
61815 ZZ	1000815 ZZ	75	95	10	12500	10800	6400	7600	0.150
61815 2RS	1000815 2RS	75	95	10	12500	10800	4000	-	0.150
61816	1000816	80	100	10	13300	12400	6000	7100	0.155
61816 ZZ	1000816 ZZ	80	100	10	13300	12400	6000	7100	0.155
61816 2RS	1000816 2RS	80	100	10	13300	12400	3600	-	0.155
61817	1000817	85	110	13	19500	16600	5700	6700	0.270
61817 ZZ	1000817 ZZ	85	110	13	19500	16600	5700	6700	0.270
61817 2RS	1000817 2RS	85	110	13	19500	16600	3400	-	0.270
61818	1000818	90	115	13	19900	17000	5400	6300	0.280
61818 ZZ	1000818 ZZ	90	115	13	19900	17000	5400	6300	0.280
61818 2RS	1000818 2RS	90	115	13	19900	17000	3200	-	0.280
61819	1000819	95	120	13	19900	17600	5000	5900	0.300
61819 ZZ	1000819 ZZ	95	120	13	19900	17600	5000	5900	0.300
61819 2RS	1000819 2RS	95	120	13	19900	17600	3000	-	0.300
61820	1000820	100	125	13	19900	18300	4800	5600	0.310
61820 ZZ	1000820 ZZ	100	125	13	19900	18300	4800	5600	0.310
61820 2RS	1000820 2RS	100	125	13	19900	18300	3000	-	0.310
61821	1000821	105	130	13	20800	19600	4600	5400	0.320
61821 ZZ	1000821 ZZ	105	130	13	20800	19600	4600	5400	0.320
61821 2RS	1000821 2RS	105	130	13	20800	19600	2800	-	0.320
61822	1000822	110	140	16	28100	30700	4300	5100	0.600
61822 ZZ	1000822 ZZ	110	140	16	28100	30700	4300	5100	0.600
61822 2RS	1000822 2RS	110	140	16	28100	30700	2600	-	0.600
61824	1000824	120	150	16	29000	33000	4000	4700	0.650
61824 ZZ	1000824 ZZ	120	150	16	29000	33000	4000	4700	0.650
61824 2RS	1000824 2RS	120	150	16	29000	33000	2400	-	0.650
61826	1000826	130	165	18	39000	43000	3700	4300	0.930
61826 ZZ	1000826 ZZ	130	165	18	39000	43000	3700	4300	0.930
61826 2RS	1000826 2RS	130	165	18	39000	43000	2200	-	0.930
61828	1000828	140	175	18	40500	46500	3400	4000	0.990
61828 ZZ	1000828 ZZ	140	175	18	40500	46500	3400	4000	0.990
61828 2RS	1000828 2RS	140	175	18	40500	46500	2000	-	0.990
61830	1000830	150	190	20	47500	54500	3100	3700	1.200
61830 ZZ	1000830 ZZ	150	190	20	47500	54500	3100	3700	1.200
61832	1000832	160	200	20	49400	64000	2900	3400	1.300
61832 ZZ	1000832 ZZ	160	200	20	49400	64000	2900	3400	1.300
61834	1000834	170	215	22	61800	78000	2700	3200	1.850
61834 ZZ	1000834 ZZ	170	215	22	61800	78000	2700	3200	1.850
61836	1000836	180	225	22	62400	81500	2600	3000	2.000
61836 ZZ	1000836 ZZ	180	225	22	62400	81500	2600	3000	2.000
61838	1000838	190	240	24	73000	88000	2400	2900	2.620
61838 ZZ	1000838 ZZ	190	240	24	73000	88000	2400	2900	2.620
61840	1000840	200	250	24	76100	102000	2300	2700	2.700
61844	1000844	220	270	24	78000	110000	2100	2400	3.000
61848	1000848	240	300	28	98500	127000	1900	2200	4.600
61852	1000852	260	320	28	11000	163000	1700	2000	4.800
61856	1000856	280	350	33	138000	200000	1600	1900	7.400
61860	1000860	300	380	38	162000	210000	1500	1700	10.500
61864	1000864	320	400	38	168000	228000	1400	1600	10.900
61868	1000868	340	420	38	170000	236000	1300	1500	11.500
61872	1000872	360	440	38	187000	258000	1200	1400	12.300
61876	1000876	380	480	46	231000	340000	1100	1300	19.700
61880	1000880	400	500	46	235000	350000	1100	1200	20.600

ISO	GOST	Dimensions (mm)			Basic Load Rating (N)		Limiting speed (r/min)		Weight (kg)
		d	D	B	Dyn. C	Stat. C ₀	Lubrication		
							Grease	Oil	
61884	1000884	420	520	46	260000	405000	1000	1200	21.600
61888	1000888	440	540	46	264000	420000	880	1000	22.500
61892	1000892	460	580	56	315000	515000	900	1100	34.800
61896	1000896	480	600	56	325000	600000	850	1000	36.500
61900	1000900	10	22	6	1950	750	30000	36000	0.010
61900 ZZ	1000900 ZZ	10	22	6	1950	750	30000	36000	0.010
61900 2RS	1000900 2RS	10	22	6	1950	750	19000	-	0.010
61901	1000901	12	24	6	2250	980	27000	32000	0.011
61901 ZZ	1000901 ZZ	12	24	6	2250	980	27000	32000	0.011
61901 2RS	1000901 2RS	12	24	6	2250	980	18000	-	0.011
61902	1000902	15	28	7	4030	2040	24000	28000	0.016
61902 ZZ	1000902 ZZ	15	28	7	4030	2040	24000	28000	0.016
61902 2RS	1000902 2RS	15	28	7	4030	2040	16000	-	0.016
61903	1000903	17	30	7	4360	2320	22000	26000	0.018
61903 ZZ	1000903 ZZ	17	30	7	4360	2320	22000	26000	0.018
61903 2RS	1000903 2RS	17	30	7	4360	2320	14000	-	0.018
61904	1000904	20	37	9	6370	3650	19000	23000	0.038
61904 ZZ	1000904 ZZ	20	37	9	6370	3650	19000	23000	0.038
61904 2RS	1000904 2RS	20	37	9	6370	3650	12000	-	0.038
61905	1000905	25	42	9	6630	4000	16000	19000	0.045
61905 ZZ	1000905 ZZ	25	42	9	6630	4000	16000	19000	0.045
61905 2RS	1000905 2RS	25	42	9	6630	4000	10000	-	0.045
61906	1000906	30	47	9	7280	4550	14000	17000	0.051
61906 ZZ	1000906 ZZ	30	47	9	7280	4550	14000	17000	0.051
61906 2RS	1000906 2RS	30	47	9	7280	4550	8500	-	0.051
61907	1000907	35	55	10	9560	6200	12000	15000	0.080
61907 ZZ	1000907 ZZ	35	55	10	9560	6200	12000	15000	0.080
61907 2RS	1000907 2RS	35	55	10	9560	6200	7500	-	0.080
61908	1000908	40	62	12	13800	9300	11000	13000	0.110
61908 ZZ	1000908 ZZ	40	62	12	13800	9300	11000	13000	0.110
61908 2RS	1000908 2RS	40	62	12	13800	9300	6700	-	0.110
61909	1000909	45	68	12	10100	6700	9800	12000	0.140
61909 ZZ	1000909 ZZ	45	68	12	10100	6700	9800	12000	0.140
61909 2RS	1000909 2RS	45	68	12	10100	6700	6000	-	0.140
61910	1000910	50	72	12	14600	10400	8900	11000	0.140
61910 ZZ	1000910 ZZ	50	72	12	14600	10400	8900	11000	0.140
61910 2RS	1000910 2RS	50	72	12	14600	10400	5600	-	0.140
61911	1000911	55	80	13	15900	11400	8200	9600	0.190
61911 ZZ	1000911 ZZ	55	80	13	15900	11400	8200	9600	0.190
61911 2RS	1000911 2RS	55	80	13	15900	11400	5000	-	0.190
61912	1000912	60	85	13	16500	12000	7600	8900	0.200
61912 ZZ	1000912 ZZ	60	85	13	16500	12000	7600	8900	0.200
61912 2RS	1000912 2RS	60	85	13	16500	12000	4500	-	0.200
61913	1000913	65	90	13	17400	13400	7000	8200	0.220
61913 ZZ	1000913 ZZ	65	90	13	17400	13400	7000	8200	0.220
61913 2RS	1000913 2RS	65	90	13	17400	13400	4300	-	0.220
61914	1000914	70	100	16	23800	18300	6500	7700	0.350
61914 ZZ	1000914 ZZ	70	100	16	23800	18300	6500	7700	0.350
61914 2RS	1000914 2RS	70	100	16	23800	18300	4000	-	0.350
61915	1000915	75	105	16	24200	19300	6100	7200	0.370
61915 ZZ	1000915 ZZ	75	105	16	24200	19300	6100	7200	0.370
61915 2RS	1000915 2RS	75	105	16	24200	19300	3600	-	0.370
61916	1000916	80	110	16	25100	20400	5700	6700	0.400
61916 ZZ	1000916 ZZ	80	110	16	25100	20400	5700	6700	0.400
61916 2RS	1000916 2RS	80	110	16	25100	20400	3400	-	0.400
61917	1000917	85	120	18	32000	29600	5400	6300	0.517
61917 ZZ	1000917 ZZ	85	120	18	32000	29600	5400	6300	0.517
61917 2RS	1000917 2RS	85	120	18	32000	29600	2800	-	0.517
61918	1000918	90	125	18	33000	31500	5100	6000	0.590

ISO	GOST	Dimensions (mm)			Basic Load Rating (N)		Limiting speed (r/min)		Weight (kg)
		d	D	B	Dyn. C	Stat. C ₀	Lubrication		
							Grease	Oil	
61918 ZZ	1000918 ZZ	90	125	18	33000	31500	5100	6000	0.590
61918 2RS	1000918 2RS	90	125	18	33000	31500	2400	-	0.590
61919	1000919	95	130	18	33500	33500	4800	5700	0.680
61919 ZZ	1000919 ZZ	95	130	18	33500	33500	4800	5700	0.680
61920	1000920	100	140	20	42300	41500	4500	5300	0.830
61920 ZZ	1000920 ZZ	100	140	20	42300	41500	4500	5300	0.830
61922	1000920	110	150	20	43600	44500	4100	4800	0.900
61922 ZZ	1000920 ZZ	110	150	20	43600	44500	4100	4800	0.900
61924	1000924	120	165	22	53000	57000	3800	4400	1.200
61924 ZZ	1000924 ZZ	120	165	22	53000	57000	3800	4400	1.129
61926	1000926	130	180	24	65000	67000	3500	4100	1.600
61926 ZZ	1000926 ZZ	130	180	24	65000	67000	3500	4100	1.780
61928	1000928	140	190	24	66300	71000	3200	3800	1.700
61928 ZZ	1000928 ZZ	140	190	24	66300	71000	3200	3800	1.900
61930	1000930	150	210	28	85000	90500	3000	3500	2.470
61930 ZZ	1000930 ZZ	150	210	28	85000	90500	3000	3500	2.640
61932	1000932	160	220	28	87000	96000	2800	3300	2.610
61934	1000934	170	230	28	86000	95500	2600	3100	2.740
61936	1000936	180	250	33	110000	119000	2400	2900	4.760
61940	1000940	200	280	38	148000	166000	2200	2600	7.400
61944	1000944	220	300	38	151000	180000	2000	2300	8.000
61948	1000948	240	320	38	170000	203000	1800	2100	8.280
61952	1000952	260	360	46	212000	270000	1600	1900	14.500
61956	1000956	280	380	46	216000	285000	1500	1800	15.500
61960	1000960	300	420	56	276000	375000	1400	1600	23.500
61964	1000964	320	440	56	285000	405000	1300	1500	24.800
61968	1000968	340	460	56	293000	430000	1200	1400	26.200
61972	1000972	360	480	56	300000	455000	1100	1300	27.500
61976	1000976	380	520	65	325000	510000	1100	1200	39.800
61980	1000980	400	540	65	335000	535000	990	1200	41.600
61984	1000984	420	560	65	340000	560000	940	1100	43.400
61988	1000988	440	600	74	365000	615000	890	1000	60.000
61992	1000992	460	620	74	375000	645000	850	1000	62.200
61996	1000996	480	650	78	430000	770000	810	950	73.000



Subject	Symbol	Description
Seal type	ZZ	Metal shields on both sides.
	2RS	Rubber seals on both sides.
	Z	Metal shield on one side.
	RS	Rubber seal on one side.
Tolerances	P0	Normal tolerance level. . Is not indicated as a standard.
	P6	Greater tolerance level than P0.
	P5	Greater tolerance level than P6.

Features

Miniature and small bearings are used for extremely high speeds. These bearings offer a low level of noise, vibration, and frictional torque performance.

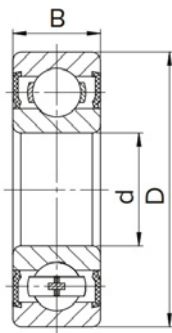
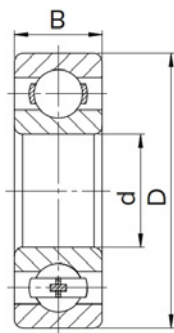
Miniature and extra-small ball bearings can be sealed by shields or rubber seals to prevent leakage of lubricating grease or entry of dust. Since the appropriate quantity of a high quality lubricating grease is factory sealed, the sealed miniature and extra-small ball bearings allows simplification of sealing devices around the bearing and facilitates easy handling.

Sealing and lubrication

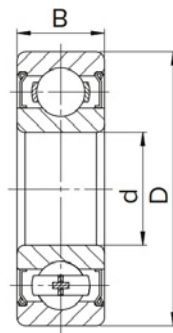
The most popular sizes of miniature and small bearings are also produced in sealed versions. These bearings with Z and ZZ are greased using high quality grease, lubricated for life and suitable for high speeds. Bearings with the suffix RS or 2RS have lip seals on one or both sides made from nitrile butadiene rubber. CRAFT bearings grease is a low noise bearing grease which is thickened by lithium 12-hydroxy stearic, it is made from deeply refined mineral oil with rust and oxidation inhibitors through special technical process. Applied temperatures range -20 C - 120 C.

Cage

In general, a ribbon or crown type cage made of steel is used in miniature and small ball bearings. The ribbon type cage is used in relatively large bearing, while the crown type is used in smaller ones.



2RS



ZZ

ISO	GOST	Dimensions (mm)			Basic Load Rating (N)		Limiting speed (r/min)		Weight (kg)
		d	D	B	Dyn. C	Stat. C ₀	Lubrication		
							Grease	Oil	
617/2	1000072	2	4	1.2	171	51	74000	87000	0.00006
617/2 ZZ		2	4	2	171	51	74000	87000	0.00006
617/3	1000073	3	6	2	242	94	60000	71000	0.00020
617/3 ZZ		3	6	2.5	242	94	60000	71000	0.00020
617/3 2RS		3	6	2	242	94	60000	-	0.00020
617/4	1000074	4	7	2	269	117	54000	63000	0.00028
617/4 ZZ		4	7	2.5	269	117	54000	63000	0.00028
617/4 2RS		4	7	2	269	117	54000	-	0.00028
617/5	1000075	5	8	2	292	142	49000	57000	0.00032
617/5 ZZ		5	8	2	292	142	49000	57000	0.00032
617/5 2RS		5	8	2.5	292	142	49000	-	0.00032
617/6	1000076	6	10	2.5	530	240	43000	51000	0.00065
617/6 ZZ		6	10	3	530	240	43000	51000	0.00065
617/6 2RS		6	10	2.5	530	240	43000	-	0.00065
617/7	1000077	7	11	2.5	560	270	40000	47000	0.00067
617/7 ZZ		7	11	3	560	270	40000	47000	0.00067
617/7 2RS		7	11	2.5	560	270	40000	-	0.00067
617/8	1000078	8	12	2.5	575	298	38000	45000	0.00075
617/8 ZZ		8	12	3.5	575	298	38000	45000	0.00075
617/8 2RS		8	12	2.5	575	298	38000	45000	0.00075
617/9	1000079	9	14	3	920	465	36000	42000	0.00140
617/9 ZZ		9	14	4.5	920	465	36000	42000	0.00140
617/9 2RS		9	14	3	920	465	36000	-	0.00140
618/1	1000081	1	3	1	80	22	120000	140000	0.00005
618/1 ZZ		1	3	1.5	80	22	120000	140000	0.00005
618/1 2RS		1	3	1.5	80	22	120000	-	0.00005
618/2	1000082	2	5	1.5	171	51	74000	87000	0.00013
618/2 ZZ		2	5	1.5	171	51	74000	87000	0.00013
618/2 2RS		2	5	1.5	171	51	74000	-	0.00013
618/3	1000083	3	7	2	390	130	58000	68000	0.00031
618/3 ZZ		3	7	3	390	130	58000	68000	0.00031
618/3 2RS		3	7	3	390	130	58000	-	0.00031
618/4	1000084	4	9	2.5	540	180	49000	57000	0.00070
618/4 ZZ		4	9	4	540	180	49000	57000	0.00070
618/4 2RS		4	9	4	540	180	49000	-	0.00070
618/5	1000085	5	11	3	637	255	43000	51000	0.00120
618/5 ZZ		5	11	5	637	255	43000	51000	0.00120
618/5 2RS		5	11	5	637	255	43000	-	0.00120
618/6	1000086	6	13	3.5	884	345	39000	46000	0.00200
618/6 ZZ		6	13	5	884	345	39000	46000	0.00200
618/6 2RS		6	13	5	884	345	39000	-	0.00200
618/7	1000087	7	14	3.5	956	400	37000	44000	0.00220
618/7 ZZ		7	14	5	956	400	37000	44000	0.00220

ISO	GOST	Dimensions (mm)			Basic Load Rating (N)		Limiting speed (r/min)		Weight (kg)
		d	D	B	Dyn. C	Stat. C ₀	Lubrication		
							Grease	Oil	
618/7 2RS		7	14	3.5	956	400	37000	-	0.00220
618/8	1000088	8	16	4	1330	570	35000	41000	0.00300
618/8 ZZ		8	16	5	1330	570	35000	41000	0.00300
618/8 2RS		8	16	4	1330	570	35000	-	0.00300
618/9	1000089	9	17	4	1430	665	33000	39000	0.00340
618/9 ZZ		9	17	5	1430	665	33000	39000	0.00340
618/9 2RS		9	17	4	1430	665	33000	-	0.00340
619/1	1000091	1	4	1.6	157	43	96000	110000	0.00011
619/1 ZZ	1080091	1	4	2.3	157	43	96000	110000	0.00011
619/1 2RS		1	4	2.3	157	43	96000	-	0.00011
619/2	1000092	2	6	2.3	279	89	67000	79000	0.00031
619/2 ZZ	1080092	2	6	3	279	89	67000	79000	0.00031
619/2 2RS		2	6	3	279	89	67000	79000	0.00031
619/3	1000093	3	8	3	560	180	54000	63000	0.00059
619/3 ZZ	1080093	3	8	4	560	180	54000	63000	0.00059
619/3 2RS		3	8	4	560	180	54000	-	0.00059
619/4	1000094	4	11	4	715	276	45000	52000	0.00167
619/4 ZZ	1080094	4	11	4	715	276	45000	52000	0.00167
619/4 2RS		4	11	4	715	276	45000	-	0.00167
619/5	1000095	5	13	4	1080	430	40000	47000	0.00238
619/5 ZZ	1080095	5	13	4	1080	430	40000	47000	0.00238
619/5 2RS		5	13	4	1080	430	40000	-	0.00238
619/6	1000096	6	15	5	1350	530	37000	44000	0.00379
619/6 ZZ	1080096	6	15	5	1350	530	37000	44000	0.00379
619/6 2RS		6	15	5	1350	530	37000	-	0.00379
619/7	1000097	7	17	5	1610	715	35000	41000	0.00526
619/7 ZZ	1080097	7	17	5	1610	715	35000	41000	0.00526
619/7 2RS		7	17	5	1610	715	35000	-	0.00526
619/8	1000098	8	19	6	1990	865	33000	39000	0.00709
619/8 ZZ	1080098	8	19	6	1990	865	33000	39000	0.00709
619/8 2RS		8	19	6	1990	865	33000	-	0.00709
619/9	1000099	9	20	6	2480	1090	32000	38000	0.00845
619/9 ZZ	1080099	9	20	6	2480	1090	32000	38000	0.00845
619/9 2RS		9	20	6	2480	1090	32000	-	0.00845
602	12	2	7	2.8	380	125	62000	73000	0.00054
602 ZZ	80012	2	7	3.5	380	125	62000	73000	0.00054
602 2RS	180012	2	7	3.5	380	125	62000	-	0.00054
603	13	3	9	3	635	219	50000	59000	0.00092
603 ZZ	80013	3	9	5	635	219	50000	59000	0.00092
603 2RS	180013	3	9	5	635	219	50000	-	0.00092
604	14	4	12	4	970	360	43000	51000	0.00220
604 ZZ	80014	4	12	4	970	360	43000	51000	0.00220
604 2RS	180014	4	12	4	970	360	43000	-	0.00220
605	15	5	14	5	1330	510	39000	46000	0.00400
605 ZZ	80015	5	14	5	1330	510	39000	46000	0.00400
605 2RS	180015	5	14	5	1330	510	39000	-	0.00400
606	16	6	17	6	2190	865	35000	42000	0.00600
606 ZZ	80016	6	17	6	2190	865	35000	42000	0.00600
606 2RS	180016	6	17	6	2190	865	35000	-	0.00600
607	17	7	19	6	1720	620	34000	40000	0.07500
607 ZZ	80017	7	19	6	1720	620	34000	40000	0.07500
607 2RS	180017	7	19	6	1720	620	34000	-	0.07500
608	18	8	22	7	3250	1370	32000	37000	0.01200
608 ZZ	80018	8	22	7	3250	1370	32000	37000	0.01200
608 2RS	180018	8	22	7	3250	1370	32000	-	0.01200
609	19	9	24	7	3710	1660	31000	36000	0.01400
609 ZZ	80019	9	24	7	3710	1660	31000	36000	0.01400
609 2RS	180019	9	24	7	3710	1660	31000	-	0.01400
623	23	3	10	4	490	150	50000	58000	0.0014

ISO	GOST	Dimensions (mm)			Basic Load Rating (N)		Limiting speed (r/min)		Weight (kg)
		d	D	B	Dyn. C	Stat. C ₀	Lubrication		
							Grease	Oil	
623 ZZ	80023	3	10	4	490	150	50000	58000	0.0014
623 2RS	180023	3	10	4	490	150	50000	-	0.0014
624	24	4	13	5	980	305	42000	49000	0.0031
624 ZZ	80024	4	13	5	980	305	42000	49000	0.0031
624 2RS	180024	4	13	5	980	305	42000	-	0.0031
625	25	5	16	5	1110	380	37000	44000	0.0050
625 ZZ	80025	5	16	5	1110	380	37000	44000	0.0050
625 2RS	180025	5	16	5	1110	380	37000	-	0.0050
626	26	6	19	6	1720	620	34000	40000	0.0084
626 ZZ	80026	6	19	6	1720	620	34000	40000	0.0084
626 2RS	180026	6	19	6	1720	620	34000	-	0.0084
627	27	7	22	7	3250	1370	32000	37000	0.0130
627 ZZ	80026	7	22	7	3250	1370	32000	37000	0.0130
627 2RS	180026	7	22	7	3250	1370	32000	-	0.0130
628	28	8	24	8	4000	1590	31000	36000	0.0170
628 ZZ	80028	8	24	8	4000	1590	31000	36000	0.0170
628 2RS	180028	8	24	8	4000	1590	31000	-	0.0170
629	29	9	26	8	4620	1960	30000	35000	0.0200
629 ZZ	80029	9	26	8	4620	1960	30000	35000	0.0200
629 2RS	180029	9	26	8	4620	1960	30000	-	0.0200
634	34	4	16	5	1110	380	37000	44000	0.0054
634 ZZ	80034	4	16	5	1110	380	37000	44000	0.0054
634 2RS	180034	4	16	5	1110	380	37000	-	0.0054
635	35	5	19	6	1720	620	34000	40000	0.0090
635 2RS	80035	5	19	6	1720	620	34000	40000	0.0090
635 ZZ	180035	5	19	6	1720	620	34000	-	0.0090



Subject	Symbol	Description
Seal type	ZZ	Metal shields on both sides.
	2RS	Rubber seals on both sides.
Radial internal clearance	C2	Less than normal.
	CN	Normal clearance. Is not indicated as a standard.
	C3	Greater clearance than normal.
	C4	Greater than C3.
	C5	Greater than C4.
Cage type	E	Polymer cage.
Speed ratings	V	Normal vibration level. Is not indicated as a standard.
	V2	Lower vibration level than V2.
Tolerances	P0	Normal tolerance level. Is not indicated as a standard.
	P6	Greater tolerance level than P0.

Features

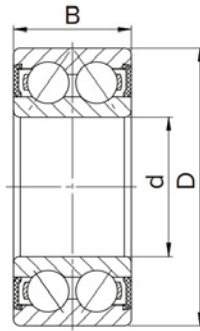
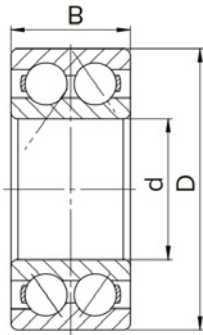
Double row deep groove ball bearings corresponds in design to single row deep groove ball bearings. They are designed for high to very high speeds and are used where the load carrying capacity of single row deep groove ball bearings is not sufficient. Double row deep groove ball bearings are wider than single row deep groove ball bearings of the same bore and outside diameter but have a significantly higher load carrying capacity.

Sealing and lubrication

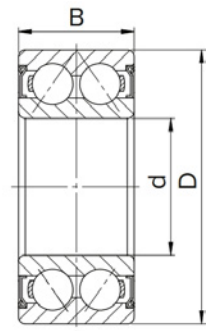
Mainly these bearings are produced in sealed version, however, other types are available on request. Sealed version ensures great lubrication on working conditions as additional lubrication might not be sufficient for this bearing design. CRAFT bearings grease is a low noise bearing grease which is thickened by lithium 12-hydroxy stearic, it is made from deeply refined mineral oil with rust and oxidation inhibitors through special technical process. Applied temperature range -20 C - +120 C.

Cages

CRAFT double row deep groove ball bearings without a cage suffix have a sheet steel cage. For specific purpose polymer cages might be used which has better friction and lubrication capabilities.



2RS



ZZ

ISO	GOST	Dimensions (mm)			Basic Load Rating (N)		Limiting speed (r/min)		Weight (kg)
							Lubrication		
		d	D	B	Dyn. C ₀	Stat. C ₀	Grease	Oil	
3000 ZZ	-	10	26	12	5700	3250	18500	24000	0.022
3000 2RS	-	10	26	12	5700	3250	18500	-	0.022
3001 ZZ	-	12	28	12	6200	3750	17500	22800	0.025
3001 2RS	-	12	28	12	6200	3750	17500	-	0.025
3002 ZZ	-	15	32	13	8600	5400	14500	18800	0.036
3002 2RS	-	15	32	13	8600	5400	14500	-	0.036
3003 ZZ	-	17	35	14	9200	6200	12500	16200	0.042
3003 2RS	-	17	35	14	9200	6200	12500	-	0.042
3004 ZZ	-	20	42	16	14500	9600	11000	14300	0.080
3004 2RS	-	20	42	16	14500	9600	11000	-	0.080
3005 ZZ	-	25	47	16	15500	11100	9500	12400	0.100
3005 2RS	-	25	47	16	15500	11100	9500	-	0.100
3006 ZZ	-	30	55	19	20300	15600	8000	10400	0.160
3006 2RS	-	30	55	19	20300	15600	8000	-	0.160
3007 ZZ	-	35	62	20	24500	21400	6600	8600	0.200
3007 2RS	-	35	62	20	24500	21400	6600	-	0.200
3008 ZZ	-	40	68	21	25500	21700	6300	8200	0.250
3008 2RS	-	40	68	21	25500	21700	6300	-	0.250
3200	3056200	10	30	14	7410	4300	16000	22000	0.051
3200 ZZ	3056200 ZZ	10	30	14	7410	4300	16000	22000	0.051
3200 2RS	3056200 2RS	10	30	14	7410	4300	16000	-	0.051
3201	3056201	12	32	15.9	10100	5600	15000	20000	0.058
3201 ZZ	3056201 ZZ	12	32	15.9	10100	5600	15000	20000	0.058
3201 2RS	3056201 2RS	12	32	15.9	10100	5600	15000	-	0.058
3202	3056202	15	35	15.9	11200	6800	12000	17000	0.066
3202 ZZ	3056202 ZZ	15	35	15.9	11200	6800	12000	17000	0.066
3202 2RS	3056202 2RS	15	35	15.9	11200	6800	12000	-	0.066
3203	3056203	17	40	17.5	14000	8650	10000	15000	0.096
3203 ZZ	3056203 ZZ	17	40	17.5	14000	8650	10000	15000	0.096
3203 2RS	3056203 2RS	17	40	17.5	14000	8650	10000	-	0.096
3204	3056204	20	47	20.6	18600	12000	9000	13000	0.160
3204 ZZ	3056204 ZZ	20	47	20.6	18600	12000	9000	13000	0.160
3204 2RS	3056204 2RS	20	47	20.6	18600	12000	9000	-	0.160
3205	3056205	25	52	20.6	20300	14000	8000	11000	0.180
3205 ZZ	3056205 ZZ	25	52	20.6	20300	14000	8000	11000	0.180
3205 2RS	3056205 2RS	25	52	20.6	20300	14000	8000	-	0.180
3206	3056206	30	62	23.8	28100	20000	7000	9500	0.290
3206 2RS	3056206 2RS	30	62	23.8	28100	20000	7000	-	0.290
3206 ZZ	3056206 ZZ	30	62	23.8	28100	20000	7000	-	0.290
3207	3056207	35	72	27	37100	27500	6000	8000	0.440
3207 ZZ	3056207 ZZ	35	72	27	37100	27500	6000	8000	0.440
3207 2RS	3056207 2RS	35	72	27	37100	27500	6000	-	0.440
3208	3056208	40	80	30.2	44900	33500	5600	7500	0.590

ISO	GOST	Dimensions (mm)			Basic Load Rating (N)		Limiting speed (r/min)		Weight (kg)
		d	D	B	Dyn. C	Stat. C ₀	Lubrication		
							Grease	Oil	
3208 ZZ	3056208 ZZ	40	80	30.2	44900	33500	5600	7500	0.590
3208 2RS	3056208 2RS	40	80	30.2	44900	33500	5600	-	0.590
3209	3056209	45	85	30.2	47500	38000	5000	6700	0.630
3209 ZZ	3056209 ZZ	45	85	30.2	47500	38000	5000	6700	0.630
3209 2RS	3056209 2RS	45	85	30.2	47500	38000	5000	-	0.630
3210	3056210	50	90	30.2	47500	39000	4800	6300	0.660
3210 ZZ	3056210 ZZ	50	90	30.2	47500	39000	4800	6300	0.660
3210 2RS	3056210 2RS	50	90	30.2	47500	39000	4800	-	0.660
3211	3056211	55	100	33.3	57200	67000	4300	5600	1.050
3211 ZZ	3056211 ZZ	55	100	33.3	57200	67000	4300	5600	1.050
3211 2RS	3056211 2RS	55	100	33.3	57200	67000	4300	-	1.050
3212	3056212	60	110	36.5	72100	85000	3800	5000	1.400
3212 ZZ	3056212 ZZ	60	110	36.5	72100	85000	3800	5000	1.400
3212 2RS	3056212 2RS	60	110	36.5	72100	85000	3800	-	1.400
3213	3056213	65	120	38.1	78100	95000	3600	4800	1.750
3213 ZZ	3056213 ZZ	65	120	38.1	78100	95000	3600	4800	1.750
3213 2RS	3056213 2RS	65	120	38.1	78100	95000	3600	-	1.750
3214	3056214	70	125	39.7	95000	83000	2900	3600	1.850
3214 ZZ	3056214 ZZ	70	125	39.7	95000	83000	2900	3600	1.850
3214 2RS	3056214 2RS	70	125	39.7	95000	83000	2900	-	1.850
3215	3056215	75	130	41.3	95000	84000	2900	3600	2.100
3215 ZZ	3056215 ZZ	75	130	41.3	95000	84000	2900	3600	2.100
3215 2RS	3056215 2RS	75	130	41.3	95000	84000	2900	-	2.100
3216	3056216	80	140	44.4	109000	102000	2500	3100	2.650
3216 ZZ	3056216 ZZ	80	140	44.4	109000	102000	2500	3100	2.650
3216 2RS	3056216 2RS	80	140	44.4	109000	102000	2500	-	2.650
3217	3056217	85	150	49.2	129000	117000	2300	2800	3.400
3217 ZZ	3056217 ZZ	85	150	49.2	129000	117000	2300	2800	3.400
3217 2RS	3056217 2RS	85	150	49.2	129000	117000	2300	-	3.400
3218	3056218	90	160	52.4	142000	142000	2200	2650	4.150
3218 ZZ	3056218 ZZ	90	160	52.4	142000	142000	2200	2650	4.150
3218 2RS	3056218 2RS	90	160	52.4	142000	142000	2200	-	4.150
3219	3056219	95	170	55.6	147000	142000	2000	2400	5.000
3220	3056220	100	180	60.3	187000	175000	2000	2400	5.500
3220 ZZ	3056220 ZZ	100	180	60.3	187000	175000	2000	2400	5.500
3220 2RS	3056220 2RS	100	180	60.3	187000	175000	2000	-	5.500
3222	3056222	110	200	69.8	190000	180000	1900	2400	8.800
3222 ZZ	3056222 ZZ	110	200	69.8	190000	180000	1900	2400	8.800
3222 2RS	3056222 2RS	110	200	69.8	190000	180000	1900	-	8.800
3302	3056302	15	42	19	15100	9150	10000	15000	0.130
3302 ZZ	3056302 ZZ	15	42	19	15100	9150	10000	15000	0.130
3302 2RS	3056302 2RS	15	42	19	15100	9150	10000	-	0.130
3303	3056303	17	47	22.2	21200	12500	9500	14000	0.180
3303 ZZ	3056303 ZZ	17	47	22.2	21200	12500	9500	14000	0.180
3303 2RS	3056303 2RS	17	47	22.2	21200	12500	9500	-	0.180
3304	3056304	20	52	22.2	22100	14300	8500	12000	0.220
3304 ZZ	3056304 ZZ	20	52	22.2	22100	14300	8500	12000	0.220
3304 2RS	3056304 2RS	20	52	22.2	22100	14300	8500	-	0.220
3305	3056305	25	62	25.4	31200	20800	7500	10000	0.350
3305 ZZ	3056305 ZZ	25	62	25.4	31200	20800	7500	10000	0.350
3305 2RS	3056305 2RS	25	62	25.4	31200	20800	7500	-	0.350
3306	3056306	30	72	30.2	41000	28500	6300	8500	0.530
3306 ZZ	3056306 ZZ	30	72	30.2	41000	28500	6300	8500	0.530
3306 2RS	3056306 2RS	30	72	30.2	41000	28500	6300	-	0.530
3307	3056307	35	80	34.9	48800	34000	5600	7500	0.730
3307 ZZ	3056307 ZZ	35	80	34.9	48800	34000	5600	7500	0.730
3307 2RS	3056307 2RS	35	80	34.9	48800	34000	5600	-	0.730
3308	3056308	40	90	36.5	56200	43000	5000	6700	0.950
3308 ZZ	3056308 ZZ	40	90	36.5	56200	43000	5000	6700	0.950

ISO	GOST	Dimensions (mm)			Basic Load Rating (N)		Limiting speed (r/min)		Weight (kg)
		d	D	B	Dyn. C	Stat. C ₀	Lubrication		
							Grease	Oil	
3308 2RS	3056308 2RS	40	90	36.5	56200	43000	5000	-	0.950
3309	3056309	45	100	39.7	72100	73500	4500	6000	1.400
3309 ZZ	3056309 ZZ	45	100	39.7	72100	73500	4500	6000	1.400
3309 2RS	3056309 2RS	45	100	39.7	72100	73500	4500	-	1.400
3310	3056310	50	110	44.4	88000	96500	4000	8300	1.950
3310 ZZ	3056310 ZZ	50	110	44.4	88000	96500	4000	8300	1.950
3310 2RS	3056310 2RS	50	110	44.4	88000	96500	4000	-	1.950
3311	3056311	55	120	49.2	95200	108000	3800	5000	2.550
3311 ZZ	3056311 ZZ	55	120	49.2	95200	108000	3800	5000	2.550
3311 2RS	3056311 2RS	55	120	49.2	95200	108000	3800	-	2.550
3312	3056312	60	130	54	112000	127000	3400	4500	3.250
3312 ZZ	3056312 ZZ	60	130	54	112000	127000	3400	4500	3.250
3312 2RS	3056312 2RS	60	130	54	112000	127000	3400	-	3.250
3313	3056313	65	140	58.7	160000	126000	2700	3400	4.000
3313 ZZ	3056313 ZZ	65	140	58.7	160000	126000	2700	3400	4.000
3313 2RS	3056313 2RS	65	140	58.7	160000	126000	2700	-	4.000
3313 B	3086313	65	140	58.7	160000	126000	2700	-	4.000
3314	3056314	70	150	63.5	161000	130000	2500	3100	4.900
3314 ZZ	3056314 ZZ	70	150	63.5	161000	130000	2500	3100	4.900
3314 2RS	3056314 2RS	70	150	63.5	161000	130000	2500	-	4.900
3315	3056315	75	160	68.3	187000	160000	2400	3000	5.700
3315 ZZ	3056315 ZZ	75	160	68.3	187000	160000	2400	3000	5.700
3315 2RS	3056315 2RS	75	160	68.3	187000	160000	2400	-	5.700
3316	3056316	80	170	68.3	198000	179000	2300	2800	6.950
3316 ZZ	3056316 ZZ	80	170	68.3	198000	179000	2300	2800	6.950
3316 2RS	3056316 2RS	80	170	68.3	198000	179000	2300	-	6.950
3317	3056317	85	180	73	194000	185000	2200	3200	8.300
3317 ZZ	3056317 ZZ	85	180	73	194000	185000	2200	3200	8.300
3317 2RS	3056317 2RS	85	180	73	194000	185000	2200	-	8.300
3318	3056318	90	190	73	220000	220000	2000	3000	9.250
3318 2RS	3056318 2RS	90	190	73	220000	220000	2000	-	9.250
3319	3056319	95	200	77.8	238000	315000	1900	2800	11.00
3319 2RS	3056319 2RS	95	200	77.8	238000	315000	1900	-	11.00
3320	3056320	100	215	82.6	255000	355000	1800	2600	12.50
3320 2RS	3056320 2RS	100	215	82.6	255000	355000	1800	-	12.50
3322	3056322	110	240	92.1	292000	425000	1700	2400	19.00
3800 ZZ	-	10	19	7	2100	1400	22500	29200	0.008
3800 2RS	-	10	19	7	2100	1400	22500	-	0.008
3801 ZZ	-	12	21	7	2190	1550	20000	26000	0.008
3801 2RS	-	12	21	7	2190	1550	20000	-	0.008
3802 ZZ	-	15	24	7	2430	1960	17500	22800	0.009
3802 2RS	-	15	24	7	2430	1960	17500	-	0.009
3803 ZZ	-	17	26	7	2480	2080	15000	19500	0.015
3803 2RS	-	17	26	7	2480	2080	15000	-	0.015
3804 ZZ	-	20	32	10	5600	4850	13000	16900	0.020
3804 2RS	-	20	32	10	5600	4850	13000	-	0.020
3805 ZZ	-	25	37	10	6000	5600	11500	15000	0.025
3805 2RS	-	25	37	10	6000	5600	11500	-	0.025
3806 ZZ	-	30	42	10	6300	6100	10000	13000	0.030
3806 2RS	-	30	42	10	6300	6100	10000	-	0.030
3807 ZZ	-	35	47	10	6700	7000	8500	11000	0.035
3807 2RS	-	35	47	10	6700	7000	8500	-	0.035
3808 ZZ	-	40	52	10	7000	7800	7000	9100	0.040
3808 2RS	-	40	52	10	7000	7800	7000	-	0.040
3809 ZZ	-	45	58	10	7200	8300	6500	8400	0.053
3809 2RS	-	45	58	10	7200	8300	6500	-	0.053
3810 ZZ	-	50	65	12	8700	10400	6000	7800	0.070
3810 2RS	-	50	65	12	8700	10400	6000	-	0.070
3811 ZZ	-	55	72	13	12100	15700	5500	7200	0.090

ISO	GOST	Dimensions (mm)			Basic Load Rating (N)		Limiting speed (r/min)		Weight (kg)
							Lubrication		
		d	D	B	Dyn. C	Stat. C ₀	Grease	Oil	
3811 2RS	-	55	72	13	12100	15700	5500	-	0.090
3812 ZZ	-	60	78	14	14500	17500	5000	6500	0.140
3812 2RS	-	60	78	14	14500	17500	5000	-	0.140
3814 ZZ	-	70	90	15	19200	23800	4400	5700	0.190
3814 2RS	-	70	90	15	19200	23800	4400	-	0.190
3816 ZZ	-	80	100	15	19600	25500	4000	5200	0.230
3816 2RS	-	80	100	15	19600	25500	4000	-	0.230
3818 ZZ	-	90	115	19	27000	35500	3300	4700	0.457
3818 2RS	-	90	115	19	27000	35500	3300	-	0.457
3820 2RS	-	100	125	19	28000	39000	3100	-	0.500



Subject	Symbol	Description
Cage type	M	Brass cage.
	E	Polymer cage.
	-	Sheet steel cage. Is not indicated as a standard.
Contact angle	C	Contact angle 15°.
	AC	Contact angle 25°.
	B	Contact angle 40°.
Tolerances	P0	Normal tolerance level. Is not indicated as a standard.
	P6	Greater tolerance level than P0.
	P5	Greater tolerance level than P6.

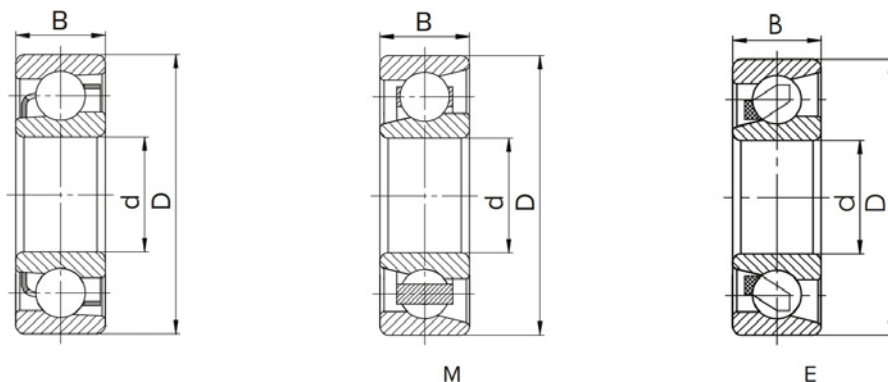
Features

Angular contact ball bearings have raceways in the inner and outer rings that are displaced with respect to each other in the direction of the bearing axis. This means that they are designed to accommodate combined loads, i.e. simultaneously acting radial and axial loads. The axial load carrying capacity of angular contact ball bearings increases with increasing contact angle. However, in any case minimal loads are necessary to perform properly. The contact angle α is defined as the angle between the line joining the points of contact of the ball and the raceways in the radial plane, along which the load is transmitted from one raceway to another, and a line perpendicular to the bearing axis.

Single row angular contact ball bearings can accommodate axial loads acting in one direction only. The bearings are non-separable and the bearing rings have one high and one low shoulder. The low shoulder enables a large number of balls to be incorporated in the bearing, giving it a relatively high load carrying capacity.

Cages

Angular contact ball bearings are provided with three different cages: machined brass cage, steel sheet cage or polymer cage. Choosing right cage is important to ensure robust operation, sufficient lubrication or right speed ratings.



ISO	GOST	Dimensions (mm)			Basic Load Rating (N)		Limiting speed (r/min)		Weight (kg)
		d	D	B	Dyn. C	Stat. C ₀	Lubrication		
							Grease	Oil	
7000 AC	46100	10	26	8	5000	2350	34000	42000	0.025
7000 B	66100	10	26	8	4650	2150	25000	33000	0.025
7000 C	36100	10	26	8	5300	2450	47000	62000	0.025
7001 AC	46101	12	28	8	5400	2750	29000	37000	0.027
7001 B	66101	12	28	8	4950	2500	22000	29000	0.027
7001 C	36101	12	28	8	5800	2950	40000	54000	0.027
7002 AC	46102	15	32	9	6100	3450	26000	32000	0.039
7002 B	66102	15	32	9	5550	3150	19000	25000	0.039
7002 C	36102	15	32	9	6600	3700	35000	47000	0.039
7003 AC	46103	17	35	10	6750	4150	23000	28000	0.051
7003 B	66103	17	35	10	6100	3750	17000	23000	0.051
7003 C	36103	17	35	10	7300	4450	31000	41000	0.051
7004 AC	46104	20	42	12	10300	6100	19000	24000	0.089
7004 B	66104	20	42	12	9350	5550	14000	19000	0.089
7004 C	36104	20	42	12	11100	6600	26000	35000	0.089
7005 AC	46105	25	47	12	11300	7400	17000	21000	0.103
7005 B	66105	25	47	12	10200	6700	12000	17000	0.103
7005 C	36105	25	47	12	12300	8000	23000	30000	0.103
7006 AC	46106	30	55	13	14500	10100	14000	18000	0.150
7006 B	66106	30	55	13	13100	9200	11000	14000	0.150
7006 C	36106	30	55	13	15800	11000	20000	26000	0.150
7007 AC	46107	35	62	14	17500	12600	12000	15000	0.207
7007 B	66107	35	62	14	15800	11400	9200	12000	0.207
7007 C	36107	35	62	14	19100	13700	17000	22000	0.207
7008 AC	46108	40	68	15	18700	14600	11000	14000	0.247
7008 B	66108	40	68	15	16800	13200	8300	11000	0.247
7008 C	36108	40	68	15	20500	15900	15000	20000	0.247
7009 AC	46109	45	75	16	22200	17700	10000	12000	0.310
7009 B	66109	45	75	16	20000	16000	7500	10000	0.310
7009 C	36109	45	75	16	24400	19300	14000	18000	0.310
7010 AC	46110	50	80	16	23600	20100	9200	11000	0.350
7010 B	66110	50	80	16	21200	18100	6900	9200	0.350
7010 C	36110	50	80	16	26000	21900	13000	17000	0.350
7011 AC	46111	55	90	18	31100	26300	8300	10000	0.470
7011 B	66111	55	90	18	27900	23700	6200	8300	0.470
7011 C	36111	55	90	18	34100	28600	11000	15000	0.470
7012 AC	46112	60	95	18	31900	28100	7700	9700	0.500
7012 B	66112	60	95	18	28600	25300	5800	7700	0.500
7012 C	36112	60	95	18	35000	30600	11000	14000	0.500
7013 AC	46113	65	100	18	33700	31400	7200	9000	0.540
7013 B	66113	65	100	18	30100	28300	5400	7200	0.540
7013 C	36113	65	100	18	37100	34300	10000	13000	0.540
7014 AC	46114	70	110	20	42700	39400	6600	8300	0.810

ISO	GOST	Dimensions (mm)			Basic Load Rating (N)		Limiting speed (r/min)		Weight (kg)
		d	D	B	Dyn. C	Stat. C ₀	Lubrication		
							Grease	Oil	
7014 B	66114	70	110	20	38300	35500	5000	6600	0.810
7014 C	36114	70	110	20	46900	43000	9200	12000	0.810
7015 AC	46115	75	115	20	43600	41700	6300	7800	0.860
7015 B	66115	75	115	20	39100	37600	4700	6300	0.860
7015 C	36115	75	115	20	48000	45600	8700	11000	0.860
7016 AC	46116	80	125	22	53400	50600	5800	7200	1.110
7016 B	66116	80	125	22	47800	45700	4300	5800	1.110
7016 C	36116	80	125	22	58700	55300	8000	11000	1.110
7017 AC	46117	85	130	22	54600	53700	5500	6800	1.250
7017 B	66117	85	130	22	48800	48400	4100	5500	1.250
7017 C	36117	85	130	22	60100	58700	7600	10000	1.250
7018 AC	46118	90	140	24	65200	63300	5100	6400	1.580
7018 B	66118	90	140	24	58400	57100	3900	5100	1.580
7018 C	36118	90	140	24	71700	69100	7100	9400	1.580
7019 AC	46119	95	145	24	66600	67100	4800	6000	1.670
7019 B	66119	95	145	24	59600	60500	3600	4800	1.670
7019 C	36119	95	145	24	73400	73400	6700	8900	1.670
7020 AC	46120	100	150	24	68400	70600	4700	5900	1.720
7020 B	66120	100	150	24	61200	63600	3500	4700	1.720
7020 C	36120	100	150	24	75300	77200	6500	8600	1.720
7021 AC	46121	105	160	26	79800	81900	4400	5500	2.160
7021 B	66121	105	160	26	71400	73800	3300	4400	2.160
7021 C	36121	105	160	26	87800	89600	6000	8000	2.160
7022 AC	46122	110	170	28	91900	92800	4200	5200	2.710
7022 B	66122	110	170	28	82300	83700	3100	4200	2.710
7022 C	36122	110	170	28	101000	101000	5800	7700	2.710
7024 AC	46124	120	180	28	96600	103000	3900	4900	2.940
7024 B	66124	120	180	28	86400	93000	2900	3900	2.940
7024 C	36124	120	180	28	106000	113000	5400	7100	2.940
7026 AC	46126	130	200	33	117000	125000	3500	4400	4.430
7026 B	66126	130	200	33	105000	113000	2600	3500	4.430
7026 C	36126	130	200	33	129000	137000	4800	6400	4.430
7028 AC	46128	140	210	33	120000	133000	3300	4100	4.700
7028 B	66128	140	210	33	107000	119000	2500	3300	4.700
7028 C	36128	140	210	33	132000	145000	4500	6000	4.700
7030 AC	46130	150	225	35	137000	154000	3000	3800	5.490
7030 B	66130	150	225	35	122000	138000	2300	3000	5.490
7030 C	36130	150	225	35	151000	169000	4200	5500	5.490
7032 AC	46132	160	240	38	155000	176000	2800	3500	6.670
7032 B	66132	160	240	38	139000	158000	2100	2800	6.670
7032 C	36132	160	240	38	171000	193000	3900	5200	6.670
7034 AC	46134	170	260	42	186000	214000	2600	3200	8.920
7034 B	66134	170	260	42	166000	193000	1900	2600	8.920
7034 C	36134	170	260	42	204000	234000	3600	4800	8.92
7036 AC	46136	180	280	46	212000	253000	2400	3000	11.28
7036 B	66136	180	280	46	190000	228000	1800	2400	11.28
7036 C	36136	180	280	46	233000	276000	3300	4400	11.28
7038 AC	46138	190	290	46	217000	268000	2300	2800	12.10
7038 B	66138	190	290	46	194000	241000	1700	2300	12.10
7038 C	36138	190	290	46	239000	293000	3100	4200	12.10
7040 AC	46140	200	310	51	244000	309000	2100	2600	15.59
7040 B	66140	200	310	51	218000	279000	1600	2100	15.59
7040 C	36140	200	310	51	268000	338000	2900	3900	15.59
7044 AC	46144	220	340	56	267000	353000	1900	2400	18.50
7044 B	66144	220	340	56	239000	318000	1400	1900	18.50
7048 AC	46148	240	360	56	273000	375000	1700	2200	19.70
7048 B	66148	240	360	56	244000	338000	1300	1700	19.70
7052 AC	46152	260	400	65	325000	478000	1500	1900	28.70
7052 B	66152	260	400	65	291000	431000	1100	1500	28.70

ISO	GOST	Dimensions (mm)			Basic Load Rating (N)		Limiting speed (r/min)		Weight (kg)
		d	D	B	Dyn. C	Stat. C ₀	Lubrication		
							Grease	Oil	
7056 AC	46156	280	420	65	332000	507000	1400	1800	30.40
7056 B	66156	280	420	65	297000	453000	1100	1400	30.40
7060 AC	46160	300	460	74	426000	680000	1300	1600	43.70
7060 B	66160	300	460	74	382000	613000	960	1300	43.70
7064 AC	46164	320	480	74	437000	722000	1200	1500	46.00
7064 B	66164	320	480	74	391000	651000	890	1200	46.00
7068 AC	46168	340	520	82	502000	861000	1100	1300	61.80
7068 B	66168	340	520	82	450000	777000	800	1100	61.80
7072 AC	46172	360	540	82	515000	913000	1000	1300	64.60
7072 B	66172	360	540	82	461000	824000	750	1000	64.60
7076 AC	46176	380	560	82	528000	966000	940	1200	67.20
7076 B	66176	380	560	82	472000	870000	700	940	67.20
7200 AC	46200	10	30	9	4650	2200	29000	37000	0.032
7200 B	66200	10	30	9	4300	2000	22000	29000	0.032
7200 C	36200	10	30	9	5000	2350	40000	54000	0.032
7201 AC	46201	12	32	10	7450	3650	27000	34000	0.039
7201 B	66201	12	32	10	6950	3400	20000	27000	0.039
7201 C	36201	12	32	10	7900	3850	38000	50000	0.039
7202 AC	46202	15	35	11	8100	4250	24000	29000	0.048
7202 B	66202	15	35	11	7450	3950	18000	24000	0.048
7202 C	36202	15	35	11	8650	4550	33000	43000	0.048
7203 AC	46203	17	40	12	10200	5500	21000	26000	0.069
7203 B	66203	17	40	12	9350	5050	16000	21000	0.069
7203 C	36203	17	40	12	10900	5900	29000	38000	0.069
7204 AC	46204	20	47	14	14500	8400	17000	22000	0.110
7204 B	66204	20	47	14	13300	7700	13000	17000	0.110
7204 C	36204	20	47	14	15500	9000	24000	32000	0.110
7205 AC	46205	25	52	15	15300	9500	15000	19000	0.130
7205 B	66205	25	52	15	14000	8700	12000	15000	0.130
7205 C	36205	25	52	15	16600	10200	21000	28000	0.130
7206 AC	46206	30	62	16	21300	13700	13000	16000	0.217
7206 B	66206	30	62	16	19400	12500	9600	13000	0.217
7206 C	36206	30	62	16	23000	14700	18000	24000	0.217
7207 AC	46207	35	72	17	19100	13700	17000	22000	0.313
7207 B	66207	35	72	17	28100	18600	11000	14000	0.313
7207 C	36207	35	72	17	25600	17000	8300	11000	0.313
7208 AC	46208	40	80	18	33600	23300	10000	12000	0.402
7208 B	66208	40	80	18	30600	21300	7500	10000	0.402
7208 C	36208	40	80	18	36400	25200	14000	18000	0.402
7209 AC	46209	45	85	19	37700	26600	9400	12000	0.460
7209 B	66209	45	85	19	34300	24300	7000	9400	0.460
7209 C	36209	45	85	19	40800	28700	13000	17000	0.460
7210 AC	46210	50	90	20	39400	29400	8500	11000	0.510
7210 B	66210	50	90	20	35700	26700	6400	8500	0.510
7210 C	36210	50	90	20	42800	31800	12000	16000	0.510
7211 AC	46211	55	100	21	48700	37100	7600	9500	0.680
7211 B	66211	55	100	21	44100	33800	5700	7600	0.680
7211 C	36211	55	100	21	52900	40200	11000	14000	0.680
7212 AC	46212	60	110	22	58900	45700	6900	8600	1.020
7212 B	66212	60	110	22	53400	41600	5100	6900	1.020
7212 C	36212	60	110	22	64000	49500	9500	13000	1.020
7213 AC	46213	65	120	23	67300	54200	6400	8000	1.090
7213 B	66213	65	120	23	60900	49300	4800	6400	1.090
7213 C	36213	65	120	23	73100	58700	8900	12000	1.090
7214 AC	46214	70	125	24	69800	55600	6100	7600	1.180
7214 B	66214	70	125	24	63200	50600	4600	6100	1.180
7214 C	36214	70	125	24	75900	60200	8400	11000	1.180
7215 AC	46215	75	130	25	79200	65200	5800	7200	1.320
7215 B	66215	75	130	25	71700	59300	4300	5800	1.320

ISO	GOST	Dimensions (mm)			Basic Load Rating (N)		Limiting speed (r/min)		Weight (kg)
		d	D	B	Dyn. C	Stat. C ₀	Lubrication		
							Grease	Oil	
7215 C	36215	75	130	25	86100	70600	8000	11000	1.320
7216 AC	46216	80	140	26	85300	71500	5400	6700	1.570
7216 B	66216	80	140	26	77100	65000	4000	5400	1.570
7216 C	36216	80	140	26	92800	77500	7500	9900	1.570
7217 AC	46217	85	150	28	98600	83600	5000	6300	2.010
7217 B	66217	85	150	28	89200	76000	3800	5000	2.010
7217 C	36217	85	150	28	107000	90600	4400	5500	2.010
7218 AC	46218	90	160	30	113000	96700	4700	5900	2.470
7218 B	66218	90	160	30	102000	88000	3500	4700	2.470
7218 C	36218	90	160	30	123000	105000	6500	8600	2.470
7219 AC	46219	95	170	32	122000	103000	4400	5500	3.020
7219 B	66219	95	170	32	111000	94000	3300	4400	3.020
7219 C	36219	95	170	32	133000	112000	6100	8100	3.020
7220 AC	46220	100	180	34	137000	117000	4100	5200	3.620
7220 B	66220	100	180	34	124000	107000	3100	4200	3.620
7220 C	36220	100	180	34	149000	127000	5700	7600	3.620
7221 AC	46221	105	190	36	149000	132000	3900	4900	4.290
7221 B	66221	105	190	36	135000	121000	2900	3900	4.290
7221 C	36221	105	190	36	162000	143000	5400	7200	4.290
7222 AC	46222	110	200	38	162000	148000	3700	4600	5.030
7222 B	66222	110	200	38	147000	135000	2800	3700	5.030
7222 C	36222	110	200	38	176000	160000	5100	6800	5.030
7224 AC	46224	120	215	40	174000	166000	3400	4300	7.080
7224 B	66224	120	215	40	158000	151000	2600	3400	7.080
7224 C	36224	120	215	40	190000	180000	4800	6300	7.080
7226 AC	46226	130	230	40	196000	198000	3200	4000	8.100
7226 B	66226	130	230	40	177000	180000	2400	3200	8.100
7226 C	36226	130	230	40	213000	214000	4400	5800	8.100
7228 AC	46228	140	250	42	218000	234000	2900	3600	9.950
7228 B	66228	140	250	42	197000	213000	2200	2900	9.950
7228 C	36228	140	250	42	238000	254000	4000	5300	9.950
7230 AC	46230	150	270	45	248000	280000	2700	3300	12.46
7230 B	66230	150	270	45	225000	254000	2000	2700	12.46
7230 C	36230	150	270	45	270000	303000	3700	4900	12.46
7232 AC	46232	160	290	48	230000	263000	2500	3100	15.49
7232 B	66232	160	290	48	238000	279000	1800	2500	15.49
7232 C	36232	160	290	48	287000	333000	3400	4500	15.49
7234 AC	46234	170	310	52	27000	331000	2300	2800	19.69
7234 B	66234	170	310	52	245000	300000	1700	2300	19.69
7234 C	36234	170	310	52	297000	359000	3100	4200	19.69
7236 AC	46236	180	320	52	293000	362000	2200	2700	20.26
7236 B	66236	180	320	52	265000	329000	1600	2200	20.26
7236 C	36236	180	320	52	320000	393000	3000	4000	20.26
7238 AC	46238	190	340	55	303000	390000	2000	2500	24.31
7238 B	66238	190	340	55	273000	353000	1500	2000	24.31
7238 C	36238	190	340	55	331000	424000	2800	3700	24.31
7240 AC	46240	200	360	58	324000	423000	1900	2400	28.82
7240 B	66240	200	360	58	292000	384000	1400	1900	28.82
7240 C	36240	200	360	58	354000	460000	2600	3500	28.82
7244 AC	46244	220	400	65	380000	540000	2600	3200	33.60
7244 C	36244	220	400	65	400000	560000	2500	3400	33.60
7300 AC	46300	10	35	11	9300	4300	20000	26000	0.054
7300 B	66300	10	35	11	8950	4150	18000	24000	0.054
7300 C	36300	10	35	11	9850	4600	36000	49000	0.054
7301 AC	46301	12	37	12	11200	5250	18000	24000	0.065
7301 B	66301	12	37	12	10800	5050	16000	22000	0.065
7301 C	36301	12	37	12	10800	4900	33000	45000	0.065
7302 AC	46302	15	42	13	13600	7100	16000	21000	0.088
7302 B	66302	15	42	13	12800	6750	14000	19000	0.088

ISO	GOST	Dimensions (mm)			Basic Load Rating (N)		Limiting speed (r/min)		Weight (kg)
		d	D	B	Dyn. C	Stat. C ₀	Lubrication		
							Grease	Oil	
7302 C	36302	15	42	13	13300	6850	28000	39000	0.088
7303 AC	46303	17	47	14	14900	7900	18000	23000	0.121
7303 B	66303	17	47	14	13800	7300	14000	18000	0.121
7303 C	36303	17	47	14	15800	8400	25000	33000	0.121
7304 AC	46304	20	52	15	17400	9400	17000	21000	0.156
7304 B	66304	20	52	15	16200	8700	13000	17000	0.156
7304 C	36304	20	52	15	18500	9950	23000	31000	0.156
7305 AC	46305	25	62	17	24800	14400	14000	17000	0.248
7305 B	66305	25	62	17	22900	13300	10000	14000	0.248
7305 C	36305	25	62	17	26400	15300	19000	25000	0.248
7306 AC	46306	30	72	19	30100	18900	12000	14000	0.381
7306 B	66306	30	72	19	27600	17400	8700	12000	0.381
7306 C	36306	30	72	19	32300	20300	16000	21000	0.381
7307 AC	46307	35	80	21	35400	22000	10000	13000	0.512
7307 B	66307	35	80	21	32500	20200	7700	10000	0.512
7307 C	36307	35	80	21	37900	23600	14000	19000	0.512
7308 AC	46308	40	90	23	43200	27400	9200	12000	0.733
7308 B	66308	40	90	23	39700	25200	6900	9200	0.733
7308 C	36308	40	90	23	46300	29400	13000	17000	0.733
7309 AC	46309	45	100	25	55100	37100	8200	10000	0.970
7309 B	66309	45	100	25	50600	34100	6200	8200	0.970
7309 C	36309	45	100	25	59200	39700	11000	15000	0.970
7310 AC	46310	50	110	27	70100	48100	7300	9100	1.230
7310 B	66310	50	110	27	64400	44300	5500	7300	1.230
7310 C	36310	50	110	27	75100	51600	10000	13000	1.230
7311 AC	46311	55	120	29	80900	56500	6700	8400	1.570
7311 B	66311	55	120	29	74300	52000	5000	6700	1.570
7311 C	36311	55	120	29	86800	60600	9300	12000	1.570
7312 AC	46312	60	130	31	92500	65600	6200	7700	1.696
7312 B	66312	60	130	31	84900	60300	4600	6200	1.696
7312 C	36312	60	130	31	99200	70300	8600	11000	1.696
7313 AC	46313	65	140	33	105000	75300	5800	7200	2.380
7313 B	66313	65	140	33	96100	69300	4300	5800	2.380
7313 C	36313	65	140	33	112000	80700	8000	11000	2.380
7314 AC	46314	70	150	36	118000	85800	5400	6700	2.890
7314 B	66314	70	150	36	108000	78900	4000	5400	2.890
7314 C	36314	70	150	36	126000	91900	7500	9900	2.890
7315 AC	46315	75	160	37	128000	97000	5000	6300	3.470
7315 B	66315	75	160	37	118000	89200	3800	5000	3.470
7315 C	36315	75	160	37	137000	104000	7000	9200	3.470
7316 AC	46316	80	170	39	139000	109000	4700	5900	4.130
7316 B	66316	80	170	39	127000	100000	3500	4700	4.130
7316 C	36316	80	170	39	149000	117000	6500	4600	4.130
7317 AC	46317	85	180	41	150000	122000	4400	5500	4.910
7317 B	66317	85	180	41	137000	112000	3300	4400	4.910
7317 C	36317	85	180	41	161000	130000	6100	8100	4.910
7318 AC	46318	90	190	43	161000	135000	4200	5200	5.740
7318 B	66318	90	190	43	148000	124000	3100	4200	5.740
7318 C	36318	90	190	43	173000	145000	5800	7700	5.740
7319 AC	46319	95	200	45	122000	103000	4400	5500	6.670
7319 B	66319	95	200	45	110000	94000	3300	4400	6.670
7319 C	36319	95	200	45	133000	112000	6100	8100	6.670
7320 AC	46320	100	215	47	184000	161000	3600	4600	8.100
7320 B	66320	100	215	47	168000	148000	2700	3600	8.100
7320 C	36320	100	215	47	197000	173000	5000	6700	8.100
7321 AC	46321	105	225	49	208000	193000	3500	4400	9.280
7321 B	66321	105	225	49	191000	177000	2600	3500	9.280
7321 C	36321	105	225	49	223000	207000	4800	6400	9.280
7322 AC	46322	110	240	50	232000	226000	3200	4000	10.87

ISO	GOST	Dimensions (mm)			Basic Load Rating (N)		Limiting speed (r/min)		Weight (kg)
		d	D	B	Dyn. C	Stat. C ₀	Lubrication		
							Grease	Oil	
7322 B	66322	110	240	50	213000	208000	2400	3200	10.87
7322 C	36322	110	240	50	249000	242000	4500	5900	10.87
7324 AC	46324	120	260	55	246000	252000	3000	3700	16.62
7324 B	66324	120	260	55	225000	231000	2200	3000	16.62
7324 C	36324	120	260	55	265000	271000	4100	5500	16.62
7326 AC	46326	130	280	58	301000	329000	2700	3400	19.90
7326 B	66326	130	280	58	250000	268000	2100	2700	19.90
7326 C	36326	130	280	58	294000	314000	3800	5000	19.90
7328 AC	46328	140	300	62	329000	374000	2500	3200	24.31
7328 B	66328	140	300	62	302000	344000	1900	2500	24.31
7328 C	36328	140	300	62	353000	401000	3500	4600	24.31
7330 AC	46330	150	320	65	348000	414000	2300	2900	28.36
7330 B	66330	150	320	65	318000	380000	1800	2300	28.36
7330 C	36330	150	320	65	374000	445000	3200	4300	28.36
7332 AC	46332	160	340	68	365000	455000	2200	2700	34.15
7332 B	66332	160	340	68	332000	416000	1600	2200	34.15
7332 C	36332	160	340	68	394000	490000	3000	4000	34.15
7334 AC	46334	170	360	72	389000	485000	2000	2500	40.36
7334 B	66334	170	360	72	355000	444000	1500	2000	40.36
7334 C	36334	170	360	72	418000	521000	2800	3700	40.36
7336 AC	46336	180	380	75	409000	534000	1900	2400	46.72
7336 B	66336	180	380	75	373000	488000	1400	1900	46.72
7338 AC	46338	190	400	78	450000	598000	1800	2200	53.85
7338 B	66338	190	400	78	411000	548000	1300	1800	53.85
7340 AC	46340	200	420	80	474000	658000	1700	2100	60.51
7340 B	66340	200	420	80	432000	602000	1200	1700	60.51
7404 AC	46404	20	72	19	35600	19100	9600	13000	0.395
7404 B	66404	20	72	19	33500	17900	8500	12000	0.395
7405 AC	46405	25	80	21	39700	23200	8200	11000	0.527
7405 B	66405	25	80	21	36900	21500	7300	10000	0.527
7406 AC	46406	30	90	23	47600	28400	7300	9700	0.686
7406 B	66406	30	90	23	44200	26400	6500	8900	0.686
7407 AC	46407	35	100	25	60400	37000	6500	8600	0.950
7407 B	66407	35	100	25	56200	34300	5700	7900	0.950
7408 AC	46408	40	110	27	69900	43500	5900	7900	1.230
7408 B	66408	40	110	27	64900	40400	5200	7200	1.230
7409 AC	46409	45	120	29	84900	53800	5400	7100	1.550
7409 B	66409	45	120	29	78900	50000	4800	6600	1.550
7410 AC	46410	50	130	31	97400	65300	4900	6600	1.920
7410 B	66410	50	130	31	90200	60400	4400	6000	1.920
7411 AC	46411	55	140	33	118000	82400	4500	6000	2.360
7411 B	66411	55	140	33	110000	76500	4000	5500	2.360
7412 AC	46412	60	150	35	129000	93600	4100	5500	2.850
7412 B	66412	60	150	35	119000	86700	3700	5100	2.850
7413 AC	46413	65	160	37	139000	104000	3900	5200	3.410
7413 B	66413	65	160	37	129000	96800	3500	4800	3.410
7414 AC	46414	70	180	42	149000	115000	3500	4600	4.990
7414 B	66414	70	180	42	148000	119000	3100	4300	4.990
7415 AC	46415	75	190	45	171000	141000	3300	4400	5.900
7415 B	66415	75	190	45	158000	131000	2900	4000	5.900
7416 AC	46416	80	200	48	193000	166000	3100	4100	6.000
7416 B	66416	80	200	48	179000	154000	2700	3800	6.000
7417 AC	46417	85	210	52	204000	180000	3000	3900	8.540
7417 B	66417	85	210	52	189000	167000	2600	3600	8.540
7418 AC	46418	90	225	54	216000	196000	2800	3700	11.40
7418 B	66418	90	225	54	200000	182000	2500	3400	11.40



Subject	Symbol	Description
Seal type	2RS	Rubber seals on both sides.
	RS	Rubber seal on one side.
Other technical modifications	K	Tapered bore.
Cage type	M	Brass cage.

Features

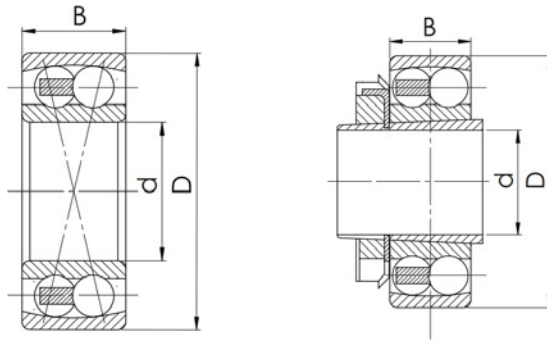
CRAFT recommends Self-Aligning Ball Bearings when the alignment of the shaft and housing is problematic and the shaft may bend. The outer ring has a spherical raceway and its center of curvature coincides with that of the bearing; therefore, the axis of the inner ring, balls and cage can deflect to some extent around the bearing center.

Application

Applied in heavy loading and impact loading, such as precision instruments, low noise machine, automobile, motorcycle, metallurgy, rolling mill, mine, petroleum, paper making, cement, the sugar industry and etc. Self-Aligning Ball Bearings are used for commercial ground shafting applications.

Benefits

- Run cooler even at high speeds;
- Easy mounting and dismounting;
- Have the lowest friction of all rolling bearings;
- Compensates middle error, shaft deformation and housing deformation;
- The permissible operating speed is not dependent on the common criteria like heat generation or cage stability and strength.



Sleeve - H

ISO	GOST	SLEEVE NO.	Dimensions mm			Basic Load Rating (N)		Weight (kg)
			d	D	B	Dyn. C	Stat. C0	
1200	1200	-	10	30	9	5480	1200	0.034
1201	1201	-	12	32	10	5550	1250	0.040
1202	1202	-	15	35	11	7480	1750	0.049
1203	1203	-	17	40	12	7900	2020	0.073
1204	1204	-	20	47	14	9950	2650	0.116
1205	1205	-	25	52	15	12000	3300	0.140
1205 K	111205	H205	25	52	15	12000	3300	0.140
1206	1206	-	30	62	16	15800	4700	0.220
1206 K	111206	H206	30	62	16	15800	4700	0.220
1207	1207	-	35	72	17	15800	5080	0.320
1207 K	111207	H207	35	72	17	15800	5080	0.320
1208	1208	-	40	80	18	19200	6400	0.415
1208 K	111208	H208	40	80	18	19200	6400	0.415
1209	1209	-	45	85	19	21800	7320	0.465
1209 K	111209	H209	45	85	19	21800	7320	0.465
1210	1210	-	50	90	20	22800	8080	0.531
1210 K	111210	H210	50	90	20	22800	8080	0.531
1211	1211	-	55	100	21	26800	10000	0.705
1211 K	111211	H211	55	100	21	26800	10000	0.705
1212	1212	-	60	110	22	30200	11500	0.900
1212 K	111212	H212	60	110	22	30200	11500	0.900
1213	1213	-	65	120	23	31000	12500	1.150
1213 K	111213	H213	65	120	23	31000	12500	1.150
1214	1214	-	70	125	24	34500	13500	1.240
1215	1215	-	75	130	25	38800	15200	1.390
1215 K	111215	H215	75	130	25	38800	15200	1.390
1216	1216	-	80	140	26	39500	16800	1.700
1216 K	111216	H216	80	140	26	39500	16800	1.700
1217	1217	-	85	150	28	48800	20500	2.060
1217 K	111217	H217	85	150	28	48800	20500	2.060
1218	1218	-	90	160	30	56500	23200	2.590
1218 K	111218	H218	90	160	30	56500	23200	2.590
1219	1219	-	95	170	32	63500	27000	3.100
1220	1220	-	100	180	34	67400	28400	3.700
1220 K	111220	H220	100	180	34	67400	28400	3.700
1224	1224	-	120	215	42	117000	51000	6.770
1300	1300	-	10	35	11	7220	1620	0.058
1301	1301	-	12	37	12	9420	2120	0.067
1302	1302	-	15	42	13	9500	2280	0.094
1303	1303	-	17	47	14	12500	3180	0.130
1304	1304	-	20	52	15	12500	3380	0.165
1305	1305	-	25	62	17	17800	5050	0.255
1306	1306	-	30	72	19	21500	6280	0.385

ISO	GOST	SLEEVE NO.	Dimensions mm			Basic Load Rating (N)		Weight (kg)
			d	D	B	Dyn. C	Stat. C0	
1306 K	111306	H306	30	72	19	21500	6280	0.385
1307	1307	-	35	80	21	25000	7950	0.510
1307 K	111307	H307	35	80	21	25000	7950	0.510
1308	1308	-	40	90	23	29500	9500	0.715
1308 K	111308	H308	40	90	23	29500	9500	0.715
1309	1309	-	45	100	25	38000	12800	0.955
1309 K	111309	H309	45	100	25	38000	12800	0.955
1310	1310	-	50	110	27	43200	14200	1.200
1310 K	111310	H310	50	110	27	43200	14200	1.200
1311	1311	-	55	120	29	51500	18200	1.600
1311 K	111311	H311	55	120	29	51500	18200	1.600
1312	1312	-	60	130	31	57200	21200	1.950
1312 K	111312	H312	60	130	31	57200	21200	1.950
1313	1313	-	65	140	33	61800	22800	2.420
1313 K	111313	H313	65	140	33	61800	22800	2.420
1314	1314	-	70	150	35	74500	27500	3.000
1315	1315	-	75	160	37	79000	29800	3.550
1315 K	111315	H315	75	160	37	79000	29800	3.550
1316	1316	-	80	170	39	86700	31400	4.170
1316 K	111316	H316	80	170	39	86700	31400	4.170
1317	1317	-	85	180	41	97800	37800	5.000
1318	1318	-	90	190	43	115000	42000	5.800
1318 K	111318	H318	90	190	43	115000	42000	5.800
1319	1319	-	95	200	45	132000	50800	6.700
1320	1320	-	100	215	47	141000	55000	8.300
1320 K	111320	H320	100	215	47	141000	55000	8.300
1322 K	111322	H322	110	240	50	161000	70000	12.00
2200	1500	-	10	30	14	8000	1800	0.048
2200 2RS	1500	-	10	30	14	8000	1800	0.052
2201	1501	-	12	32	14	8400	1900	0.052
2201 2RS	1501	-	12	32	14	8400	1900	0.056
2202	1502	-	15	35	14	8600	2000	0.056
2202 2RS	1502	-	15	35	14	8600	2000	0.059
2203	1503	-	17	40	16	10400	2500	0.087
2203 2RS	1503	-	17	40	16	10400	2500	0.095
2204	1504	-	20	47	18	16400	4100	0.13
2204 2RS	1504	-	20	47	18	16400	4100	0.138
2204 K	111504	H304	20	47	18	16400	4100	0.13
2205	1505	-	25	52	18	15200	3900	0.160
2205 2RS	1505	-	25	52	18	15200	3900	0.160
2205 K	111505	H305	25	52	18	15200	3900	0.160
2206	1506	-	30	62	20	15200	4600	0.260
2206 2RS	1506	-	30	62	20	15200	4600	0.260
2206 K	111506	H306	30	62	20	15200	4600	0.260
2207	1507	-	35	72	23	21800	6650	0.405
2207 2RS	1507	-	35	72	23	21800	6650	0.405
2207 K	111507	H307	35	72	23	21800	6650	0.405
2208	1508	-	40	80	23	22500	7380	0.505
2208 2RS	1508	-	40	80	23	22500	7380	0.505
2208 K	111508	H308	40	80	23	22500	7380	0.505
2209	1509	-	45	85	23	23200	8000	0.540
2209 2RS	1509	-	45	85	23	23200	8000	0.540
2209 K	111509	H309	45	85	23	23200	8000	0.540
2210	1510	-	50	90	23	23200	8450	0.580
2210 2RS	1510	-	50	90	23	23200	8450	0.580
2210 K	111510	H310	50	90	23	23200	8450	0.580
2211	1511	-	55	100	25	26800	9950	0.800
2211 2RS	1511	-	55	100	25	26800	9950	0.810
2212	1512	-	60	110	28	34000	12500	1.090

ISO	GOST	SLEEVE NO.	Dimensions mm			Basic Load Rating (N)		Weight (kg)
			d	D	B	Dyn. C	Stat. C0	
2212 2RS	1512	-	60	110	28	34000	12500	1.090
2213	1513	-	65	120	31	43500	16200	1.450
2213 2RS	1513	-	65	120	31	43500	16200	1.500
2214	1514	-	70	125	31	44000	17000	1.500
2214 2RS	1514	-	70	125	31	44000	17000	1.580
2215	1515	-	75	130	31	44200	18000	1.600
2215 2RS	1515	-	75	130	31	44200	18000	1.670
2216	1516	-	80	140	33	48800	20200	2.150
2217	1517	-	85	150	36	58200	23500	2.670
2218	1518	-	90	160	40	70000	28500	3.370
2220	1520	-	100	180	46	97200	40500	4.940
2300	1600	-	10	35	17	10000	2100	0.080
2301	1601	-	12	37	17	11400	2600	0.091
2302	1602	-	15	42	17	11800	2800	0.108
2302 2RS	1602	-	15	42	17	11800	2800	0.111
2303	1603	-	17	47	19	14300	3500	0.168
2303 2RS	1603	-	17	47	19	14300	3500	0.171
2304	1604	-	20	52	21	17800	4750	0.210
2304 2RS	1604	-	20	52	21	17800	4750	0.220
2304 K	111604	H2304	20	52	21	17800	4750	0.210
2305	1605	-	25	62	24	24500	6480	0.335
2305 2RS	1605	-	25	62	24	24500	6480	0.354
2305 K	111605	H2305	25	62	24	24500	6480	0.335
2306	1606	-	30	72	27	31500	8680	0.500
2306 2RS	1606	-	30	72	27	31500	8680	0.500
2306 K	111606	H2306	30	72	27	31500	8680	0.500
2307	1607	-	35	80	31	39200	11000	0.675
2307 2RS	1607	-	35	80	31	39200	11000	0.675
2307 K	111607	H2307	35	80	31	39200	11000	0.675
2308	1608	-	40	90	33	44800	13200	0.925
2308 2RS	1608	-	40	90	33	44800	13200	0.925
2308 K	111608	H2308	40	90	33	44800	13200	0.925
2309	1609	-	45	100	36	55000	16200	1.230
2309 2RS	1609	-	45	100	36	55000	16200	1.230
2309 K	111609	H2309	45	100	36	55000	16200	1.230
2310	1610	-	50	110	40	64500	19800	1.630
2310 2RS	1610	-	50	110	40	64500	19800	1.630
2310 K	111610	H2310	50	110	40	64500	19800	1.630
2311	1611	-	55	120	43	75200	23500	2.090
2311 2RS	1611	-	55	120	43	75200	23500	2.120
2311 K	111611	H2311	55	120	43	75200	23500	2.090
2312	1612	-	60	130	46	86800	27500	2.600
2312 2RS	1612	-	60	130	46	86800	27500	2.620
2312 K	111612	H2312	60	130	46	86800	27500	2.600
2313	1613	-	65	140	48	96000	32500	3.200
2314	1614	-	70	150	51	110000	37500	3.920
2315	1615	-	75	160	55	122000	42800	4.780
2316	1616	-	80	170	58	128000	45500	5.650



Subject	Symbol	Description
Cages	M	Solid brass cage.
	-	Steel cage. Is not indicated as a standard.
Other technical modifications	U	Spherical washer.
Tolerances	P0	Normal tolerance level. Is not indicated as a standard.
	P6	Greater tolerance level than P0.

Features

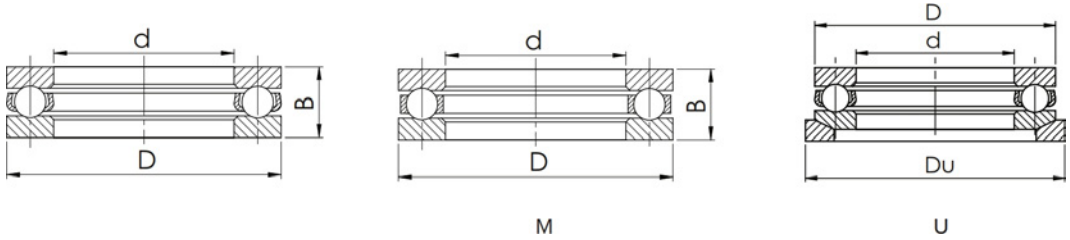
CRAFT thrust ball bearings are design to accommodate large axial load, however they must not be subjected to radial load. Most frequent bearings are single direction thrust ball bearings. During operation these bearings must be constantly subjected to a specific axial load. These bearings can be also combined with spherical rings to cope with small initial misalignments.

Single direction thrust bearings

CRAFT Single Direction Thrust Ball Bearings consist of two flat washers with raceways, balls and cage which are detachable. The washers have a flat seating surface therefore they have to be embedded so that all balls are equally loaded. Bearings only transfer axial loads in one direction.

Cage

Thrust ball bearings have as standard pressed steel cage, where the material and application is not marked. Larger size bearings use massive brass cage to offer more robust solutions.



ISO	GOST	Dimensions (mm)			Basic Load Rating (N)		Limiting speed (r/min)		Weight (kg)
		d	D	B	Dyn. C	Stat. C ₀	Lubrication		
							Grease	Oil	
51100	8100	10	24	9	10000	14000	7000	9500	0.020
51101	8101	12	26	9	10400	15300	6700	9000	0.022
51102	8102	15	28	9	10600	16600	6300	8500	0.023
51103	8103	17	30	9	11400	19600	6300	8500	0.025
51104	8104	20	35	10	12700	20800	5600	7500	0.038
51105	8105	25	42	11	15900	29000	4800	6300	0.056
51106	8106	30	47	11	16800	33500	4500	6000	0.063
51107	8107	35	52	12	17400	37500	4300	5600	0.080
51108	8108	40	60	13	23400	50000	3800	5000	0.120
51109	8109	45	65	14	24200	57000	3400	4500	0.140
51110	8110	50	70	14	25500	63000	3200	4300	0.160
51111	8111	55	78	16	30700	78000	2800	3800	0.247
51112	8112	60	85	17	36400	93000	2600	3600	0.330
51113	8113	65	90	18	37100	98000	2400	3400	0.359
51114	8114	70	95	18	37700	104000	2400	3400	0.385
51115	8115	75	100	19	44200	137000	2200	3200	0.400
51116	8116	80	105	19	44900	140000	2000	3000	0.420
51117	8117	85	110	19	46200	150000	2000	3000	0.440
51118	8118	90	120	22	59200	190000	1800	2600	0.670
51120	8120	100	135	25	85200	270000	1700	2400	0.970
51122	8122	110	145	25	87100	290000	1600	2200	1.050
51124	8124	120	155	25	88400	310000	1600	2200	1.150
51126	8126	130	170	30	111000	390000	1400	1900	1.850
51128	8128	140	180	31	112000	400000	1300	1800	2.050
51130	8130	150	190	31	112000	400000	1200	1700	2.200
51132	8132	160	200	31	112000	425000	1200	1700	2.350
51134	8134	170	215	34	133000	500000	1100	1600	3.300
51136	8136	180	225	34	135000	530000	1000	1500	3.500
51138	8138	190	240	37	172000	655000	950	1400	4.050
51140	8140	200	250	37	174000	655000	950	1400	4.250
51144	8144	220	270	37	178000	735000	900	1300	4.600
51148	8148	240	300	45	234000	965000	800	1100	7.550
51152	8152	260	320	45	238000	1020000	800	1100	8.100
51156	8156	280	350	53	319000	1460000	700	950	12.00
51160	8160	300	380	62	364000	1760000	630	850	17.50
51164	8164	320	400	63	371000	1860000	600	800	19.00
51168	8168	340	420	64	377000	1960000	600	800	20.00
51172	8172	360	440	65	390000	2000000	560	750	21.80
51176	8176	380	460	65	398000	2180000	550	750	22.75
51180	8180	400	480	65	403000	2250000	520	720	24.20
51200	8200	10	26	11	12700	17000	6000	8000	0.031
51201	8201	12	28	11	13300	19000	6000	8000	0.034
51202	8202	15	32	12	16500	25000	5300	7000	0.046

ISO	GOST	Dimensions (mm)			Basic Load Rating (N)		Limiting speed (r/min)		Weight (kg)
		d	D	B	Dyn. C	Stat. C ₀	Lubrication		
							Grease	Oil	
51203	8203	17	35	12	17200	27500	5000	6700	0.053
51204	8204	20	40	14	22500	37500	4500	6000	0.083
51205	8205	25	47	15	25500	47500	4000	5300	0.110
51206	8206	30	52	16	26700	50000	3600	4800	0.130
51207	8207	35	62	18	35100	67000	3000	4000	0.220
51208	8208	40	68	19	46800	98000	2800	3800	0.280
51209	8209	45	73	20	39000	80000	2600	3600	0.300
51210	8210	50	78	22	49400	106000	2400	3400	0.370
51211	8211	55	90	25	61800	134000	1900	2800	0.590
51212	8212	60	95	26	62400	140000	1900	2800	0.650
51213	8213	65	100	27	63700	150000	1800	2600	0.780
51214	8214	70	105	27	65000	160000	1800	2600	0.790
51215	8215	75	110	27	67600	170000	1700	2400	0.830
51216	8216	80	115	28	76100	190000	1700	2400	0.910
51217	8217	85	125	31	97500	250000	1600	2200	1.200
51218	8218	90	135	35	119000	300000	1500	2000	1.700
51220	8220	100	150	38	124000	320000	1300	1800	2.200
51222	8222	110	160	38	130000	360000	1200	1700	2.400
51224	8224	120	170	39	140000	400000	1100	1600	2.650
51226	8226	130	190	45	186000	540000	950	1400	4.000
51228	8228	140	200	46	190000	570000	950	1400	4.350
51230	8230	150	215	50	238000	735000	900	1300	6.100
51232	8232	160	225	51	242000	780000	850	1200	6.550
51234	8234	170	240	55	286000	930000	800	1100	8.150
51236	8236	180	250	56	296000	1000000	800	1100	8.600
51238	8238	190	270	62	332000	1160000	750	1000	11.70
51240	8240	200	280	62	338000	1220000	750	1000	12.00
51244	8244	220	300	63	351000	1320000	700	950	13.00
51248	8248	240	300	45	462000	1980000	600	800	23.00
51252	8252	260	360	79	470000	2100000	560	780	25.20
51256	8256	280	380	80	492000	2320000	550	750	26.50
51260	8260	300	420	95	605000	2870000	480	630	42.00
51264	8264	320	440	95	610000	2900000	450	600	45.32
51268	8268	340	460	96	612400	3200000	450	600	48.50
51272	8272	360	500	110	741000	4150000	400	530	70.00
51305	8305	25	52	18	34500	55000	3400	4500	0.170
51306	8306	30	60	21	37700	65500	2800	3800	0.260
51307	8307	35	68	24	49400	88000	2400	3400	0.380
51308	8308	40	78	26	61800	112000	2000	3000	0.530
51309	8309	45	85	28	76100	140000	1900	2800	0.660
51310	8310	50	95	31	88400	173000	1800	2600	0.940
51311	8311	55	105	35	104000	208000	1600	2200	1.300
51312	8312	60	110	35	101000	208000	1600	2200	1.350
51313	8313	65	115	36	106000	220000	1500	2000	1.500
51314	8314	70	125	40	135000	300000	1400	1900	2.000
51315	8315	75	135	44	163000	360000	1200	1700	2.600
51316	8316	80	140	44	160000	360000	1200	1700	2.700
51317	8317	85	150	49	190000	425000	1100	1600	3.550
51318	8318	90	155	50	195000	465000	1000	1500	3.800
51320	8320	100	170	55	229000	560000	950	1400	4.950
51322	8322	110	190	63	276000	720000	850	1200	7.850
51324	8324	120	210	70	325000	915000	800	1100	11.00
51326	8326	130	225	75	358000	1060000	750	1000	13.00
51328	8328	140	240	80	397000	1220000	700	950	15.50
51330	8330	150	250	80	410000	1400000	660	900	16.00
51332	8332	160	270	87	449000	1666000	600	850	21.00
51334	8334	170	280	87	468000	1760000	600	800	22.00
51336	8336	180	300	95	520000	2000000	560	750	27.50
51340	8340	200	340	110	620000	2450000	480	630	44.50

ISO	GOST	Dimensions (mm)			Basic Load Rating (N)		Limiting speed (r/min)		Weight (kg)
							Lubrication		
		d	D	B	Dyn. C	Stat. C ₀	Grease	Oil	
51405	8405	25	60	24	55300	90000	2600	3600	0.340
51406	8406	30	70	28	72800	125000	2000	3000	0.520
51407	8407	35	80	32	87100	156000	1800	2600	0.760
51408	8408	40	90	36	112000	204000	1700	2400	1.100
51409	8409	45	100	39	130000	240000	1600	2200	1.400
51410	8410	50	110	43	159000	310000	1500	2000	2.000
51411	8411	55	120	48	178000	360000	1300	1800	2.550
51412	8412	60	130	51	199000	400000	1100	1600	3.100
51413	8413	65	140	56	216000	450000	1000	1500	4.000
51414	8414	70	150	60	234000	500000	950	1400	5.000
51415	8415	75	160	65	251000	560000	900	1400	6.750
51416	8416	80	170	68	270000	620000	850	1200	7.950
51417	8417	85	180	72	286000	680000	850	1200	9.450
51418	8418	90	190	77	307000	750000	800	1100	11.00
51420	8420	100	210	85	371000	965000	700	950	15.00
51422	8422	110	230	95	410000	1220000	630	850	20.00
51424	8424	120	250	102	423000	1320000	600	780	24.20
51426	8426	130	270	110	520000	1700000	560	750	32.00
51428	8428	140	280	112	520000	1700000	500	700	34.50



Subject	Symbol	Description
Radial internal clearance	C2	Less than normal.
	CN	Normal clearance. Is not indicated as a standard.
	C3	Greater clearance than normal.
	C4	Greater than C3.
	C5	Greater than C4.
Other technical modifications	W33	All bearings are equipped with an annular groove and three lubrication holes in the outer ring.
	K	Tapered bore.
Cage types	C	Steel cage design bearings have two stamped window-type steel cages, an inner ring without flanges and a floating guide ring centered on the inner ring.
	MB	Split brass cage, centered on the inner ring. There are hard board in the center and two boards in the outer sides.
	M	Machined solid brass cage.
Tolerances	P0	Normal tolerance level. Is not indicated as a standard.
	P6	Greater tolerance level than P0.
	P5	Greater tolerance level than P6.

Features

Spherical roller bearings are bearings for the most severe fields of application and contain two rows of symmetrical barrel rollers which set freely in the hollow-spherical outer raceway. These kind bearings offer an unequalled combination of high load capacity, high tolerance to shock loads, and self-aligning ability but they are limited by speed. The center point of the sphere in the outer ring raceway is at the bearing axis. These bearings can be mounted directly on the shaft or with the help of the adapter sleeve (indicated together with H series) or withdrawal sleeves (indicated with AH series). The standard versions of spherical roller bearings are supplied only with sheet-metal or brass cage.

Radial internal clearance

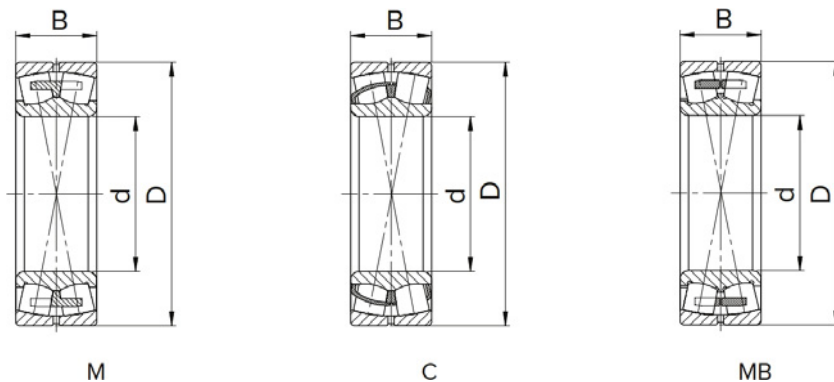
CRAFT spherical roller bearings are produced as standard with normal radial internal clearance and most are also available with a greater C3 clearance. Many bearings can also be supplied with a smaller C2 clearance or the much greater C4 or C5 clearances. CRAFT spherical roller bearings for vibratory applications are produced as standard with C4 clearance. The clearance limits are in accordance with ISO 5753:1 and are valid for bearings before mounting under zero measuring load.

Lubrication

CRAFT spherical roller bearings are not sealed and are not greased, they can be lubricated using grease. The outer ring of spherical roller bearings are made with lubrication holes and a groove for feeding lubricant. The outer ring may also be configured with oil holes only depending on fitting, mounting.

Inner ring bore

Spherical roller bearings are produced with a cylindrical or a tapered bore. Bearings with tapered bore are mounted directly to a tapered pivot or to a cylindrical pivot using adapter sleeves.



M

C

MB

ISO	GOST	SLEEVE NO.	Dimensions (mm)			Basic Load Rating (N)		Limiting speed (r/min)		Weight (kg)
			d	D	B	Dyn. C	Stat. C ₀	Lubrication		
								Grease	Oil	
22205 CW33	53505 H	-	25	52	18	35800	36800	8000	10000	0.174
22205 KCW33	153505 H	H305	25	52	18	35800	36800	8000	10000	0.169
22205 KMW33	113505 H	H305	25	52	18	35800	36800	8000	10000	0.170
22205 MW33	3505 H	-	25	52	18	35800	36800	8000	10000	0.178
22206 CW33	53506 H	-	30	62	20	50500	55000	6700	8500	0.270
22206 KCW33	153506 H	H306	30	62	20	50500	55000	6700	8500	0.260
22206 KMW33	113506 H	H306	30	62	20	50500	55000	6700	8500	0.269
22206 MW33	3506 H	-	30	62	20	50500	55000	6700	8500	0.272
22207 CW33	53507 H	-	35	72	23	66500	76000	5300	6700	0.410
22207 KCW33	153507 H	H307	35	72	23	66500	76000	5300	6700	0.397
22207 KMW33	113507 H	H307	35	72	23	66500	76000	5300	6700	0.406
22207 MW33	3507 H	-	35	72	23	66500	76000	5300	6700	0.430
22208 CW33	53508 H	-	40	80	23	78500	90800	5000	6000	0.520
22208 KCW33	153508 H	H308	40	80	23	78500	90800	5000	6000	0.493
22208 KMW33	113508 H	H308	40	80	23	78500	90800	5000	6000	0.506
22208 MW33	3508 H	-	40	80	23	78500	90800	5000	6000	0.540
22209 CW33	53509 H	-	45	85	23	82000	97500	4500	5600	0.564
22209 KCW33	153509 H	H309	45	85	23	82000	97500	4500	5600	0.551
22209 KMW33	113509 H	H309	45	85	23	82000	97500	4500	5600	0.571
22209 MW33	3509 H	-	45	85	23	82000	97500	4500	5600	0.580
22210 CW33	53510 H	-	50	90	23	84500	105000	4000	5000	0.618
22210 KCW33	153510 H	H310	50	90	23	84500	105000	4000	5000	0.610
22210 KMW33	113510 H	H310	50	90	23	84500	105000	4000	5000	0.612
22210 MW33	3510 H	-	50	90	23	84500	105000	4000	5000	0.620
22211 CW33	53511 H	-	55	100	25	102000	125000	3600	4500	0.840
22211 KCW33	153511 H	H311	55	100	25	102000	125000	3600	4500	0.820
22211 KMW33	113511 H	H311	55	100	25	102000	125000	3600	4500	0.840
22211 MW33	3511 H	-	55	100	25	102000	125000	3600	4500	0.852
22212 CW33	53512 H	-	60	110	28	122000	155000	3200	4000	1.114
22212 KCW33	153512 H	H312	60	110	28	122000	155000	3200	4000	1.088
22212 KMW33	113512 H	H312	60	110	28	122000	155000	3200	4000	1.120
22212 MW33	3512 H	-	60	110	28	122000	155000	3200	4000	1.126
22213 CW33	53513 H	-	65	120	31	150000	195000	2800	3600	1.550
22213 KCW33	153513 H	H313	65	120	31	150000	195000	2800	3600	1.500
22213 KMW33	113513 H	H313	65	120	31	150000	195000	2800	3600	1.526
22213 MW33	3513 H	-	65	120	31	150000	195000	2800	3600	1.560
22214 CW33	53514 H	-	70	125	31	158000	205000	2600	3400	1.584
22214 KCW33	153514 H	H314	70	125	31	158000	205000	2600	3400	1.552
22214 KMW33	113514 H	H314	70	125	31	158000	205000	2600	3400	1.591
22214 MW33	3514 H	-	70	125	31	158000	205000	2600	3400	1.602
22215 CW33	53515 H	-	75	130	31	162000	215000	2400	3200	1.610
22215 KCW33	153515 H	H315	75	130	31	162000	215000	2400	3200	1.580
22215 KMW33	113515 H	H315	75	130	31	162000	215000	2400	3200	1.697

ISO	GOST	SLEEVE NO.	Dimensions (mm)			Basic Load Rating (N)		Limiting speed (r/min)		Weight (kg)
			d	D	B	Dyn. C	Stat. C ₀	Lubrication		
								Grease	Oil	
22215 MW33	3515 H	-	75	130	31	162000	215000	2400	3200	1.704
22216 CW33	53516 H	-	80	140	33	175000	238000	2200	3000	2.058
22216 KCW33	153516 H	H316	80	140	33	175000	238000	2200	3000	2.000
22216 KMW33	113516 H	H316	80	140	33	175000	238000	2200	3000	2.050
22216 MW33	3516 H	-	80	140	33	175000	238000	2200	3000	2.120
22217 CW33	53517 H	-	85	150	36	210000	278000	2000	2800	2.470
22217 KCW33	153517 H	H317	85	150	36	210000	278000	2000	2800	2.451
22217 KMW33	113517 H	H317	85	150	36	210000	278000	2000	2800	2.647
22217 MW33	3517 H	-	85	150	36	210000	278000	2000	2800	2.662
22218 CW33	53518 H	-	90	160	40	240000	322000	1900	2600	3.344
22218 KCW33	153518 H	H318	90	160	40	240000	322000	1900	2600	3.236
22218 KMW33	113518 H	H318	90	160	40	240000	322000	1900	2600	3.364
22218 MW33	3518 H	-	90	160	40	240000	322000	1900	2600	3.482
22219 CW33	53519 H	-	95	170	43	278000	380000	1900	2600	4.000
22219 KCW33	153519 H	H319	95	170	43	278000	380000	1900	2600	3.890
22219 KMW33	113519 H	H319	95	170	43	278000	380000	1900	2600	3.947
22219 MW33	3519 H	-	95	170	43	278000	380000	1900	2600	4.100
22220 CW33	53520 H	-	100	180	46	310000	425000	1800	2400	4.894
22220 KCW33	153520 H	H320	100	180	46	310000	425000	1800	2400	4.746
22220 KMW33	113520 H	H320	100	180	46	310000	425000	1800	2400	4.888
22220 MW33	3520 H	-	100	180	46	310000	425000	1800	2400	4.988
22222 CW33	53522 H	-	110	200	53	405000	575000	1700	2200	7.100
22222 KCW33	153522 H	H322	110	200	53	405000	575000	1700	2200	6.994
22222 KMW33	113522 H	H322	110	200	53	405000	575000	1700	2200	7.000
22222 MW33	3522 H	-	110	200	53	405000	575000	1700	2200	7.136
22224 CW33	53524 H	-	120	215	58	470000	678000	1600	2000	8.752
22224 KCW33	153524 H	H3134	120	215	58	470000	678000	1600	2000	8.630
22224 KMW33	113524 H	H3124	120	215	58	470000	678000	1600	2000	8.480
22224 MW33	3524 H	-	120	215	58	470000	678000	1600	2000	8.842
22226 CW33	53526 H	-	130	230	64	550000	810000	1400	1800	10.40
22226 KMW33	113526 H	H3126	130	230	64	550000	810000	1400	1800	10.89
22226 MW33	3526 H	-	130	230	64	550000	810000	1400	1800	11.00
22228 CW33	53528 H	-	140	250	68	628000	930000	1300	1700	13.99
22228 KMW33	113528 H	H3128	140	250	68	628000	930000	1300	1700	13.68
22228 MW33	3528 H	-	140	250	68	628000	930000	1300	1700	14.00
22230 CW33	53530 H	-	150	270	73	738000	1100000	1200	1600	17.27
22230 KMW33	113530 H	H3130	150	270	73	738000	1100000	1200	1600	17.36
22230 MW33	3530 H	-	150	270	73	738000	1100000	1200	1600	17.72
22232 KMW33	113532 H	H3132	160	290	80	825000	1250000	1000	1400	21.92
22232 MW33	3532 H	-	160	290	80	825000	1250000	1000	1400	22.00
22234 KMW33	113534 H	H3134	170	310	86	720000	1300000	850	1100	27.00
22234 MW33	3534 H	-	170	310	86	720000	1300000	850	1100	28.00
22236 KMW33	113536 H	H3136	180	320	86	735000	1370000	800	1000	27.00
22236 MW33	3536 H	-	180	320	86	735000	1370000	800	1000	28.00
22238 KMW33	113538 H	H3138	190	340	92	818000	1510000	750	950	36.80
22238 MW33	3538 H	-	190	340	92	818000	1510000	750	950	37.00
22240 KMW33	113540 H	H3140	200	360	98	920000	1740000	700	900	42.50
22240 MW33	3540 H	-	200	360	98	920000	1740000	700	900	43.00
22244 KMW33	113544 H	H3144	220	400	108	1170000	2220000	630	800	58.00
22244 MW33	3544 H	-	220	400	108	1170000	2220000	630	800	59.00
22248 MW33	3548 H	-	240	440	120	1900000	2980000	890	1180	83.00
22252 MW33	3552 H	-	260	480	130	2270000	3470000	820	1040	103.00
22256 MW33	3556 H	-	280	500	130	1690000	3380000	500	630	109.00
22308 CW33	53608 H	-	40	90	33	120000	138000	4300	5300	0.994
22308 KCW33	153608 H	H2308	40	90	33	120000	138000	4300	5300	0.978
22308 KMW33	113608 H	H2308	40	90	33	120000	138000	4300	5300	1.000
22308 MW33	3608 H	-	40	90	33	120000	138000	4300	5300	1.010
22309 CW33	53609 H	-	45	100	36	142000	170000	3800	4800	1.340
22309 KCW33	153609 H	H2309	45	100	36	142000	170000	3800	4800	1.332

ISO	GOST	SLEEVE NO.	Dimensions (mm)			Basic Load Rating (N)		Limiting speed (r/min)		Weight (kg)
			d	D	B	Dyn. C	Stat. C ₀	Lubrication		
								Grease	Oil	
22309 KMW33	113609 H	H2309	45	100	36	142000	170000	3800	4800	1.368
22309 MW33	3609 H	-	45	100	36	142000	170000	3800	4800	1.374
22310 CW33	53610 H	-	50	110	40	175000	210000	3400	4300	1.780
22310 KCW33	153610 H	H2310	50	110	40	175000	210000	3400	4300	1.760
22310 KMW33	113610 H	H2310	50	110	40	175000	210000	3400	4300	1.820
22310 MW33	3610 H	-	50	110	40	175000	210000	3400	4300	1.850
22311 CW33	53611 H	-	55	120	43	208000	250000	3000	3800	2.250
22311 KCW33	153611 H	H2311	55	120	43	208000	250000	3000	3800	2.234
22311 KMW33	113611 H	H2311	55	120	43	208000	250000	3000	3800	2.260
22311 MW33	3611 H	-	55	120	43	208000	250000	3000	3800	2.310
22312 CW33	53612 H	-	60	130	46	238000	285000	2800	3600	2.788
22312 KCW33	153612 H	H2312	60	130	46	238000	285000	2800	3600	2.721
22312 KMW33	113612 H	H2312	60	130	46	238000	285000	2800	3600	2.772
22312 MW33	3612 H	-	60	130	46	238000	285000	2800	3600	2.860
22313 CW33	53613 H	-	65	140	48	260000	315000	2400	3200	3.520
22313 KCW33	153613 H	H2313	65	140	48	260000	315000	2400	3200	3.412
22313 KMW33	113613 H	H2313	65	140	48	260000	315000	2400	3200	3.420
22313 MW33	3613 H	-	65	140	48	260000	315000	2400	3200	3.468
22314 CW33	53614 H	-	70	150	51	292000	362000	2200	3000	4.206
22314 KCW33	153614 H	H2314	70	150	51	292000	362000	2200	3000	4.190
22314 KMW33	113614 H	H2314	70	150	51	292000	362000	2200	3000	4.204
22314 MW33	3614 H	-	70	150	51	292000	362000	2200	3000	4.280
22315 CW33	53615 H	-	75	160	55	342000	438000	2000	2800	5.108
22315 KCW33	153615 H	H2315	75	160	55	342000	438000	2000	2800	5.031
22315 KMW33	113615 H	H2315	75	160	55	342000	438000	2000	2800	5.052
22315 MW33	3615 H	-	75	160	55	342000	438000	2000	2800	5.220
22316 CW33	53616 H	-	80	170	58	385000	498000	1900	2600	6.090
22316 KCW33	153616 H	H2316	80	170	58	385000	498000	1900	2600	6.012
22316 KMW33	113616 H	H2316	80	170	58	385000	498000	1900	2600	6.120
22316 MW33	3616 H	-	80	170	58	385000	498000	1900	2600	6.130
22317 CW33	53617 H	-	85	180	60	420000	540000	1800	2400	6.840
22317 KCW33	153617 H	H2317	85	180	60	420000	540000	1800	2400	6.776
22317 KMW33	113617 H	H2317	85	180	60	420000	540000	1800	2400	6.780
22317 MW33	3617 H	-	85	180	60	420000	540000	1800	2400	6.942
22318 CW33	53618 H	-	90	190	64	475000	622000	1800	2400	8.392
22318 KCW33	153618 H	H2318	90	190	64	475000	622000	1800	2400	8.201
22318 KMW33	113618 H	H2318	90	190	64	475000	622000	1800	2400	8.388
22318 MW33	3618 H	-	90	190	64	475000	622000	1800	2400	8.552
22319 CW33	53619 H	-	95	200	67	520000	688000	1700	2200	9.964
22319 KCW33	153619 H	H2319	95	200	67	520000	688000	1700	2200	9.210
22319 KMW33	113619 H	H2319	95	200	67	520000	688000	1700	2200	9.872
22319 MW33	3619 H	-	95	200	67	520000	688000	1700	2200	9.998
22320 CW33	53620 H	-	100	215	73	608000	815000	1400	1800	12.36
22320 KCW33	153620 H	H2320	100	215	73	608000	815000	1400	1800	11.87
22320 KMW33	113620 H	H2320	100	215	73	608000	815000	1400	1800	12.62
22320 MW33	3620 H	-	100	215	73	608000	815000	1400	1800	12.71
22322 KMW33	113622 H	H2322	110	240	80	695000	935000	1500	1900	17.27
22322 MW33	3622 H	-	110	240	80	695000	935000	1500	1900	17.34
22324 KMW33	113624 H	H2324	120	260	86	822000	1120000	1300	1700	21.00
22324 MW33	3624 H	-	120	260	86	822000	1120000	1300	1700	22.00
22326 KMW33	113626 H	H2326	130	280	93	942000	1300000	1200	1600	27.00
22326 MW33	3626 H	-	130	280	93	942000	1300000	1200	1600	28.50
22328 KMW33	113628 H	H2328	140	300	102	1100000	1570000	1100	1500	33.80
22328 MW33	3628 H	-	140	300	102	1100000	1570000	1100	1500	34.50
22330 KMW33	113630 H	H2330	150	320	108	1020000	1740000	850	1100	40.60
22330 MW33	3630 H	-	150	320	108	1020000	1740000	850	1100	41.50
22332 KMW33	113632 H	H2332	160	340	114	1040000	1770000	800	1000	48.00
22332 MW33	3632 H	-	160	340	114	1040000	1770000	800	1000	50.00
22334 KMW33	113634 H	H2334	170	360	120	1150000	2060000	750	950	58.50

ISO	GOST	SLEEVE NO.	Dimensions (mm)			Basic Load Rating (N)		Limiting speed (r/min)		Weight (kg)
								Lubrication		
			d	D	B	Dyn. C	Stat. C ₀	Grease	Oil	
22334 MW33	3634 H	-	170	360	120	1150000	2060000	750	950	59.00
22336 KMW33	113636 H	H2336	180	380	126	1260000	2270000	700	900	68.50
22336 MW33	3636 H	-	180	380	126	1260000	2270000	700	900	70.00
22338 KMW33	113638 H	H2338	190	400	132	1390000	2530000	670	850	79.40
22338 MW33	3638 H	-	190	400	132	1390000	2530000	670	850	80.00
22340 KMW33	113640 H	H2340	200	420	138	1490000	2720000	630	800	91.40
22340 MW33	3640 H	-	200	420	138	1490000	2720000	630	800	93.00
22344 KMW33	113644 H	H2344	220	460	145	1690000	3200000	560	700	115.00
22344 MW33	3644 H	-	220	460	145	1690000	3200000	560	700	117.00
22352 MW33	3652 H	-	260	540	165	2200000	4190000	480	600	187.00
22356 MW33	3656 H	-	280	580	175	2420000	4650000	450	560	229.00
22380 MW33	3680 H	-	400	820	243	4530000	9290000	240	320	653.00
23030 MW33	3003130 H		150	225	56	438000	762000	1100	1400	7.818
23032 MW33	3003132 H		160	240	60	500000	875000	1000	1300	9.520
23034 MW33	3003134 H		170	260	67	608000	1080000	900	1200	13.29
23036 MW33	3003136 H		180	280	74	710000	1260000	800	1000	17.36
23038 MW33	3003138 H		190	290	75	745000	1350000	800	1000	17.76
23040 MW33	3003140 H		200	310	82	580000	1310000	670	850	23.59
23044 MW33	3003144 H		220	340	90	633000	171000	670	850	30.50
23048 MW33	3003148 H		240	360	92	792000	2060000	530	670	33.00
23052 MW33	3003152 H		260	400	104	1000000	2450000	500	630	47.00
23056 MW33	3003156 H		280	420	106	1080000	2680000	450	560	51.00
23060 MW33	3003160 H		300	460	118	1860000	3690000	670	850	71.00
23064 MW33	3003164 H		320	480	121	1380000	3260000	400	500	77.00
23068 MW33	3003168 H		340	520	133	1580000	3810000	380	480	109.00
23120 MW33	3003720 H		100	165	52	320000	505000	1600	2000	4.480
23122 MW33	3003722 H		110	180	56	375000	595000	1300	1700	5.471
23220 MW33	3003220 H		100	180	60.3	415000	618000	1600	2000	6.624
23222 MW33	3003222 H		110	200	69.8	515000	785000	1400	1800	9.588
23244 MW33	3003244 H		220	400	144	2070000	3620000	670	900	79.00
23264 MW33	3003264 H		320	580	208	3760000	6570000	480	610	241.00



Subject	Symbol	Description
Other technical modifications	B	ISO bearing with same boundary dimensions as basic part number, but with different internal geometry, steeper included cup angle.
	X	Boundary dimensions altered to conform to ISO standards.
Tolerances	P0	Normal tolerance level. . Is not indicated as a standard.
	P6	Greater tolerance level than P0.
	P5	Greater tolerance level than P6.

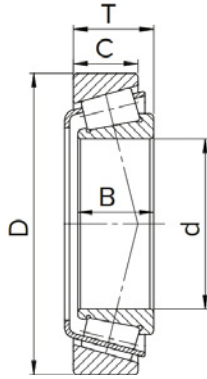
Features

CRAFT specializes in producing single row metric series tapered roller bearings. Designations are used according to widely accepted standards and relates to ISO 355 rules for contact angles and boundary dimensions. Unless otherwise specified, bearings dimensional accuracy is normal, however, improved running accuracy is available.

These bearings consist of four main components: cup, cone, cage and rollers. The components are conically shaped thus providing ability to accommodate one direction axial and radial loads, while cage separates and holds the rollers. Different contact angles are available in order to provide better load or speed characteristics. During operation under normal conditions with minimum radial load ensured, bearing itself generates axial load from internal contact angle of the bearing.

Cages

Tapered roller bearings have window-type pressed steel cage with no marking. Others types might be specifically designed on request.



ISO	GOST	Dimensions (mm)					Basic Load Rating (N)		Limiting speed (r/min)		Weight (kg)
		d	D	B	T	C	Dyn. C ₀	Stat. C ₀	Lubrication		
									Grease	Oil	
30202	7202	15	35	11	11.75	10	12500	11800	15000	20000	0.057
30203	7203	17	40	12	13.25	11	19000	18600	9000	13000	0.075
30204	7204	20	47	14	15.25	12	27500	28000	8000	11000	0.120
30205	7205	25	52	15	16.25	13	30800	33500	7500	10000	0.150
30206	7206	30	62	16	17.25	14	40200	44000	6300	8500	0.230
30207	7207	35	72	17	18.25	15	51200	56000	5300	7000	0.320
30208	7208	40	80	18	19.75	16	61600	68000	4800	6300	0.420
30209	7209	45	85	19	20.75	16	66000	76500	4500	6000	0.480
30210	7210	50	90	20	21.75	17	76500	91500	4300	5600	0.540
30211	7211	55	100	21	22.75	18	89700	106000	3800	5000	0.700
30212	7212	60	110	22	23.75	19	99000	114000	3400	4500	0.880
30213	7213	65	120	23	24.75	20	114000	134000	3000	4000	1.150
30214	7214	70	125	24	26.25	21	125000	156000	3000	4000	1.250
30215	7215	75	130	25	27.25	22	140000	176000	2800	3800	1.400
30216	7216	80	140	26	28.25	22	151000	183000	2400	3400	1.600
30217	7217	85	150	28	30.50	24	176000	220000	2200	3200	2.050
30218	7218	90	160	30	32.5	26	194000	245000	2000	3000	2.550
30219	7219	95	170	32	34.5	27	216000	275000	1900	2800	3.000
30220	7220	100	180	34	37	29	246000	320000	1900	2800	3.650
30221	7221	105	190	36	39	30	270000	355000	1800	2600	4.250
30222	7222	110	200	38	41	32	308000	405000	1700	2400	5.100
30224	7224	120	215	40	43.5	34	341000	465000	1600	2200	6.150
30226	7226	130	230	40	43.75	34	369000	490000	1500	2000	7.600
30228	7228	140	250	42	45.75	36	418000	570000	1400	1900	8.650
30230	7230	150	270	45	49	38	429000	590000	1300	1800	11.000
30232	7232	160	290	48	52	40	528000	735000	1100	1600	13.000
30234	7234	170	310	52	57	43	590000	810000	1000	1500	19.000
30236	7236	180	320	52	57	43	610000	850000	1000	1500	20.000
30238	7238	190	340	55	60	46	721000	1000000	950	1400	24.000
30240	7240	200	360	58	64	48	792000	1120000	900	1300	25.000
30302	7302	15	42	13	14.25	11	22400	20000	9000	13000	0.095
30303	7303	17	47	14	15.25	12	28100	25000	8500	12000	0.130
30304	7304	20	52	15	16.25	13	34100	32500	8000	11000	0.170
30305	7305	25	62	17	18.25	15	44600	43000	6700	9000	0.260
30306	7306	30	72	19	20.75	16	56100	56000	5600	7500	0.390
30307	7307	35	80	21	22.75	18	72100	73500	5000	6700	0.520
30308	7308	40	90	23	25.25	20	85800	95000	4500	6000	0.720
30309	7309	45	100	25	27.25	22	108000	120000	4000	5300	0.970
30310	7310	50	110	27	29.25	23	125000	140000	3600	4800	1.250
30311	7311	55	120	29	31.5	25	142000	163000	3200	4300	1.550
30312	7312	60	130	31	33.5	26	168000	196000	3000	4000	1.950
30313	7313	65	140	33	36	28	194000	228000	2600	3600	2.400
30314	7314	70	150	35	38	30	220000	260000	2400	3400	2.900

ISO	GOST	Dimensions (mm)						Basic Load Rating (N)		Limiting speed (r/min)		Weight (kg)
		d	D	B	T	C	Dyn. C	Stat. C ₀	Lubrication			
									Grease	Oil		
30315	7315	75	160	37	40	31	246000	290000	2200	3200	3.450	
30316	7316	80	170	39	42.5	33	270000	320000	2000	3000	4.100	
30317	7317	85	180	41	44.5	34	303000	365000	1900	2800	4.850	
30318	7318	90	190	43	46.5	36	330000	400000	1800	2600	5.650	
30319	7319	95	200	45	49.5	38	360000	440000	1800	2600	6.700	
30320	7320	100	215	47	51.5	39	402000	490000	1700	2400	8.050	
30321	7321	105	225	49	53.5	41	429000	530000	1600	2200	9.150	
30322	7322	110	240	50	54.5	42	473000	585000	1550	2100	11.00	
30324	7324	120	260	55	59.5	46	561000	710000	1500	2000	14.00	
30326	7326	130	280	58	63.75	49	639000	864000	1300	1800	17.10	
30328	7328	140	300	62	67.75	53	721000	985000	1200	1700	21.70	
30330	7330	150	320	65	72	55	825000	1060000	1100	1600	28.50	
30332	7332	160	340	68	75	58	913000	1180000	1100	1600	29.00	
30334	7334	170	360	72	80	62	1020000	1340000	950	1400	35.00	
31305	27305	25	62	17	18.25	13	38000	40000	5600	7500	0.260	
31306	27306	30	72	19	20.75	14	47300	50000	5000	6700	0.390	
31307	27307	35	80	21	22.75	15	61600	67000	4500	6000	0.520	
31308	27308	40	90	23	25.25	17	73700	81500	4000	5300	0.720	
31309	27309	45	100	25	27.25	18	91300	102000	3400	4500	0.950	
31310	27310	50	110	27	29.25	19	106000	120000	3200	4300	1.200	
31311	27311	55	120	29	31.5	21	121000	137000	2800	3800	1.550	
31312	27312	60	130	31	33.5	22	145000	166000	2600	3600	1.900	
31313	27313	65	140	33	36	23	165000	193000	2200	3200	2.350	
31314	27314	70	150	35	38	25	187000	220000	2000	3000	2.950	
31315	27315	75	160	37	40	26	209000	245000	1900	2800	3.500	
31316	27316	80	170	39	42.5	27	224000	265000	1900	2800	4.050	
31317	27317	85	180	41	44.5	28	242000	285000	1800	2600	4.600	
31318	27318	90	190	43	46.5	30	264000	315000	1700	2400	5.900	
31319	27319	95	200	45	49.5	32	292000	355000	1700	2400	6.950	
31320	27320	100	215	51	56.5	35	374000	465000	1600	2200	8.600	
31321	27321	105	225	53	58	36	402000	500000	1500	2000	9.650	
31322	27322	110	240	57	63	38	457000	585000	1400	1900	12.00	
31324	27324	120	260	62	68	42	539000	695000	1200	1700	15.50	
31326	27326	130	280	66	72	44	605000	780000	1100	1600	18.50	
31328	27328	140	300	70	77	47	693000	900000	1000	1500	24.50	
31330	27330	150	320	75	82	50	781000	1020000	950	1400	29.50	
32004	2007104	20	42	15	15	12	24200	27000	8500	12000	0.097	
32005	2007105	25	47	15	15	11.5	27000	32500	8000	11000	0.110	
32006	2007106	30	55	17	17	13	35800	44000	6700	9000	0.170	
32007	2007107	35	62	18	18	14	42900	54000	6000	8000	0.220	
32008	2007108	40	68	19	19	14.5	52800	71000	5300	7000	0.270	
32009	2007109	45	75	20	20	15.5	58300	80000	4800	6300	0.340	
32010	2007110	50	80	20	20	15.5	60500	88000	4500	6000	0.370	
32011	2007111	55	90	23	23	17.5	80900	116000	4000	5300	0.550	
32012	2007112	60	95	23	23	17.5	82500	122000	3800	5000	0.590	
32013	2007113	65	100	23	23	17.5	84200	127000	3400	4500	0.630	
32014	2007114	70	110	25	25	19	101000	153000	3200	4300	0.840	
32015	2007115	75	115	25	25	19	106000	163000	3000	4000	0.900	
32016	2007116	80	125	29	29	22	138000	216000	2600	3600	1.300	
32017	2007117	85	130	29	29	22	140000	224000	2400	3400	1.350	
32018	2007118	90	140	32	32	24	168000	270000	2200	3200	1.750	
32019	2007119	95	145	32	32	24	170000	275000	2200	3200	1.800	
32020	2007120	100	150	32	32	24	172000	280000	2000	3000	1.900	
32021	2007121	105	160	35	35	26	201000	335000	1900	2800	2.400	
32022	2007122	110	170	38	38	29	233000	390000	1800	2600	3.050	
32024	2007124	120	180	38	38	29	242000	415000	1700	2400	3.250	
32026	2007126	130	200	45	45	34	314000	540000	1600	2200	4.950	
32028	2007128	140	210	45	45	34	330000	585000	1600	2200	5.250	
32030	2007130	150	225	48	48	36	369000	655000	1500	2000	6.350	

ISO	GOST	Dimensions (mm)						Basic Load Rating (N)		Limiting speed (r/min)		Weight (kg)
		d	D	B	T	C	Dyn. C	Stat. C ₀	Lubrication			
									Grease	Oil		
32032	2007132	160	240	51	51	38	429000	780000	1300	1800	7.750	
32034	2007134	170	260	57	57	43	512000	915000	1200	1700	10.50	
32036	2007136	180	280	64	64	48	644000	1160000	1100	1600	14.50	
32038	2007138	190	290	64	64	48	660000	1200000	1000	1500	15.00	
32040	2007140	200	310	70	70	53	748000	1370000	950	1400	19.50	
32044	2007144	220	340	76	76	57	897000	1660000	900	1300	25.50	
32048	2007148	240	360	76	76	57	935000	1800000	850	1200	27.50	
32052	2007152	260	400	87	87	65	1120000	2170000	670	850	38.00	
32056	2007156	280	420	87	87	65	1190000	2290000	600	750	40.20	
32060	2007160	300	460	100	100	74	1520000	2940000	560	700	57.50	
32064	2007164	320	480	100	100	74	1540000	3000000	530	670	60.60	
32203	7503	17	40	16	17.25	14	29000	29500	10000	13000	0.102	
32204	7504	20	47	18	19.25	15	33100	34700	8000	11000	0.161	
32205	7505	25	52	18	19.25	15	35800	44000	7000	9500	0.190	
32206	7506	30	62	20	21.25	17	50100	57000	6300	8500	0.280	
32207	7507	35	72	23	24.25	19	66000	78000	5300	7000	0.430	
32208	7508	40	80	23	24.75	19	74800	86500	4800	6300	0.530	
32209	7509	45	85	23	24.75	19	80900	98000	4500	6000	0.580	
32210	7510	50	90	23	24.75	19	82500	100000	4300	5600	0.610	
32211	7511	55	100	25	26.75	21	106000	129000	3800	5000	0.830	
32212	7512	60	110	28	29.75	24	125000	160000	3400	4500	1.150	
32213	7513	65	120	31	32.75	27	151000	193000	3000	4000	1.500	
32214	7514	70	125	31	33.25	27	157000	208000	2800	3800	1.600	
32215	7515	75	130	31	33.25	27	161000	212000	2600	3600	1.700	
32216	7516	80	140	33	35.25	28	187000	245000	2400	3400	2.050	
32217	7517	85	150	36	38.5	30	212000	285000	2200	3200	2.600	
32218	7518	90	160	40	42.5	34	251000	340000	2000	3000	3.350	
32219	7519	95	170	43	45.5	37	281000	390000	1900	2800	4.050	
32220	7520	100	180	46	49	39	319000	440000	1800	2600	4.900	
32221	7521	105	190	50	53	43	358000	510000	1800	2600	6.000	
32222	7522	110	200	53	56	46	402000	570000	1700	2400	7.100	
32224	7524	120	215	58	61.5	50	468000	695000	1600	2200	9.150	
32226	7526	130	230	64	67.75	54	550000	830000	1500	2000	11.50	
32228	7528	140	250	68	71.75	58	644000	1000000	1400	1900	14.50	
32230	7530	150	270	73	77	60	737000	1140000	1200	1700	17.50	
32232	7532	160	290	80	84	67	880000	1400000	1100	1600	25.50	
32234	7534	170	310	86	91	71	980000	1560000	1000	1500	28.50	
32236	7536	180	320	86	91	71	1010000	1640000	950	1400	29.80	
32238	7538	190	340	92	97	75	1100000	1920000	900	1300	36.00	
32240	7540	200	360	98	104	82	1210000	2000000	900	1300	42.70	
32244	7544	220	400	108	114	90	1530000	2560000	800	1100	58.30	
32303	7603	17	47	19	20.25	16	34700	33500	8500	11000	0.170	
32304	7604	20	52	21	22.25	18	44000	45500	7500	10000	0.230	
32305	7605	25	62	24	25.25	20	60500	63000	6000	8000	0.360	
32306	7606	30	72	27	28.75	23	76500	85000	5300	7000	0.550	
32307	7607	35	80	31	32.75	25	95200	106000	4800	6300	0.730	
32308	7608	40	90	33	35.25	27	117000	140000	4000	5300	1.000	
32309	7609	45	100	36	38.25	30	140000	170000	3600	4800	1.350	
32310	7610	50	110	40	42.25	33	172000	212000	3200	4300	1.800	
32311	7611	55	120	43	45.5	35	198000	250000	3000	4000	2.300	
32312	7612	60	130	46	48.5	37	229000	290000	2600	3600	2.850	
32313	7613	65	140	48	51	39	264000	335000	2400	3400	3.450	
32314	7614	70	150	51	54	42	297000	380000	2200	3200	4.300	
32315	7615	75	160	55	58	45	336000	440000	2000	3000	5.200	
32316	7616	80	170	58	61.5	48	380000	500000	1900	2800	6.200	
32317	7617	85	180	60	63.5	49	402000	530000	1800	2600	6.850	
32318	7618	90	190	64	67.5	53	457000	610000	1700	2400	8.400	
32319	7619	95	200	67	71.5	55	501000	670000	1700	2400	11.00	
32320	7620	100	215	73	77.5	60	572000	780000	1600	2200	12.50	

ISO	GOST	Dimensions (mm)					Basic Load Rating (N)		Limiting speed (r/min)		Weight (kg)
		d	D	B	T	C	Dyn. C	Stat. C ₀	Lubrication		
									Grease	Oil	
32321	7621	105	225	77	81.5	63	605000	815000	1500	2000	14.50
32322	7622	110	240	80	84.5	65	627000	830000	1400	1900	17.00
32324	7624	120	260	86	90.5	69	792000	1120000	1300	1800	21.50
32326	7626	130	280	93	98.75	78	858000	1180000	1300	1800	26.20
32328	7628	140	300	102	107.75	85	1100000	1570000	1300	1700	33.10
32330	7630	150	320	108	114	90	1170000	1660000	1100	1500	39.30
32334	7634	170	360	120	127	100	1310000	1830000	850	1100	59.50
32922	2007922	110	150	25	25	20	133000	231000	1600	2400	1.250
32924	2007924	120	165	29	29	23	172000	318000	1800	2400	1.820
32926	2007926	130	180	32	32	25	208000	370000	1360	1920	2.400
32928	2007928	140	190	32	32	25	214000	395000	1280	1760	2.550
32930	2007930	150	210	38	38	30	285000	495000	1189	1680	3.900
32932	2007932	160	220	38	38	30	295000	530000	1180	1600	4.130
32934	2007934	170	230	38	38	30	295000	560000	1120	1520	4.500
32936	2007936	180	250	45	45	34	281600	588000	960	1360	6.650
32938	2007938	190	260	45	45	34	286400	612000	880	1280	7.000
32940	2007940	200	280	51	51	39	378400	760000	800	1200	9.500
32944	2007944	220	300	51	51	39	470000	864000	900	1200	10.20
32948	2007948	240	320	51	51	39	510000	978000	720	1040	11.00
32952	2007952	260	360	63.5	63.5	48	750000	1225000	680	900	18.70
32956	2007956	280	380	63.5	63.5	48	773000	1328000	640	880	20.00
32960	2007960	300	420	76	76	57	840000	1792000	560	760	32.00



Subject	Symbol	Description
Radial internal clearance	C2	Less than normal.
	CN	Normal clearance. Is not indicated as a standard.
	C3	Greater clearance than normal.
	C4	Greater than C3.
	C5	Greater than C4.
Other technical modifications	K	Tapered bore.
Cage types	M	Brass cage ball guided.
	S	Pressed steel cage.
	-	Riveted cage. Is not indicated as a standard.
Speed ratings	V	Normal vibration level. Is not indicated as a standard.
	V2	Lower vibration level than normal.
	V3	Lower vibration level than V2.
	V4	Lower vibration level than V3.
Tolerances	P0	Normal tolerance level. Is not indicated as a standard.
	P6	Greater tolerance level than P0.
	P5	Greater tolerance level than P6.

CYLINDRICAL BEARINGS

Series: N2.. N22.. N3.. N23.. NF2.. NF22.. NF3.. NF23.. NF4.. NU10.. NU2.. NU22.. NU3.. NU23.. NU4.. NJ10.. NJ2.. NJ22.. NJ3.. NJ23.. NJ4.. NUP2.. NUP22.. NUP3.. NUP23.. NUP4.. NN..

Features

CRAFT cylindrical roller bearings are available in many designs, series and sizes. The majority are single row bearings with a cage. High-capacity bearings, single and double row full complement bearings (without a cage)

Due to the line contact in between rolling elements and raceways, CRAFT cylindrical roller bearings have higher radial load capacity and they are suited to high-speed applications due to their structure.

Together with a high strength cage design in pressed steel, the most cylindrical roller bearings consist of brass or polyamide and provides low noise, low heat generation and, for much more difficult applications could be provided in a variety of advanced special materials.

Our cylindrical bearings are equally suitable for heavy radial and impact loading.

Having a separable inner or outer ring, these bearings can be easily mounted and dismounted.

One-Row Cylindrical Bearings

N Style single row - N style cylindrical roller bearings have two machined flanges in the inner ring with no flanges on the outer ring, with rollers and cage on the inner ring. Much like the NU style, the N doesn't have thrust load carrying capability.

NU style single row - NU style cylindrical roller bearings have two machined flanges in the outer ring with no flanges in the inner ring.

NJ style single row - NJ style cylindrical roller bearings have two machined flanges in the outer ring plus a machined flange on one side in the inner ring. The roller and cage assembly is in the outer ring. The integral flange on the inner ring enables this bearing to handle an axial load.

NF style single row - NF style cylindrical roller bearings have two machined flanges in the inner ring and the other flange in the outer ring, with roller and cage on the inner ring. Much like the NJ bearing, these bearings possess some thrust load capability.

NUP style single row - NUP style cylindrical roller bearings are like the NJ style and come with a special ring called a thrust collar. Mounted on the non-flange side of the inner ring, the thrust collar allows the bearing to hold an axial load in both directions. The thrust collar extends out of your bearing on one side, therefore the dimensions across the inner ring is slightly higher than that of the outer ring.

NP (Also able to carry incidental thrust loads in both directions, and may be used with a type RN or RU to accommodate axial expansion and contraction. Two integral ribs on inner ring, one integral rib on outer ring.

Two-Row Cylindrical Bearings (NN)

Cylindrical roller bearings, in which either the inner or outer rings has two ribs and the other ring has one, are capable of taking some axial load in one direction Double-row cylindrical roller bearings have high radial rigidity and are used primarily for precision machine tools

Cages

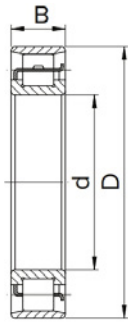
Small and medium-sized single row cylindrical roller bearings are generally fitted with pressed sheet cages. Large-sized bearings are fitted with machined brass cages of normal design, i.e. cages of separable design guided on rolling elements M, on the outside surface MA or inner surface MB.

In case of heavy loads and high speeds, cages are made in one piece.

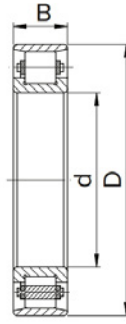
Loads

Cylindrical roller bearings must be subjected to a given minimum load, so that a proper operation of these bearings can be guaranteed.

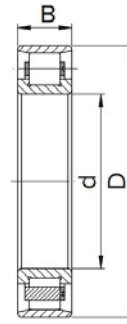
This is necessary especially as the bearings are operated at high speeds and the centrifugal forces produce additional friction in bearing due to the sliding between rollers and raceway.



N



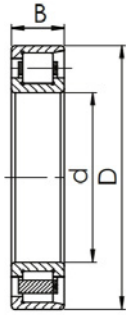
N (S)



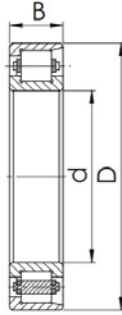
N (M)

ISO	GOST	Dimensions (mm)			Basic Load Rating (N)		Limiting speed (r/min)		Weight (kg)
		d	D	B	Dyn. C	Stat. C ₀	Lubrication		
							Grease	Oil	
N202	2202	15	35	11	13500	11600	20000	23000	0.047
N203	2203	17	40	12	14800	12100	18000	21000	0.067
N204	2204	20	47	14	15400	12700	15000	18000	0.108
N2204	2504	20	47	18	30800	30000	12000	16000	0.150
N205	2205	25	52	15	17700	15700	13000	16000	0.132
N2205	2505	25	52	18	32800	33800	11000	14000	0.170
N206	2206	30	62	16	23500	21500	11000	13000	0.200
N2206	2506	30	62	20	45500	48000	8500	11000	0.270
N207	2207	35	72	17	33600	31500	9500	11000	0.293
N2207	2507	35	72	23	57500	63000	7500	9500	0.410
N208	2208	40	80	18	43800	42900	8300	10000	0.366
N2208	2508	40	80	23	67500	75200	7000	9000	0.510
N209	2209	45	85	19	46100	46900	7700	9200	0.427
N2209	2509	45	85	23	71000	82000	6300	8000	0.550
N210	2210	50	90	20	48200	51000	7100	8500	0.479
N2210	2510	50	90	23	73200	88800	6000	7500	0.590
N211	2211	55	100	21	58000	62300	6400	7700	0.640
N2211	2511	55	100	25	94800	118000	5300	6700	0.810
N212	2212	60	110	22	71900	79900	5800	7000	0.823
N213	2213	65	120	23	83800	94400	5400	6400	1.050
N214	2214	70	125	24	83300	95200	5100	6100	1.150
N215	2215	75	130	25	101000	118000	4800	5800	1.240
N216	2216	80	140	26	106000	122000	4500	5400	1.510
N217	2217	85	150	28	121000	140000	4200	5000	1.900
N218	2218	90	160	30	152000	178000	3900	4700	2.280
N219	2219	95	170	32	165000	195000	3700	4400	2.800
N220	2220	100	180	34	183000	217000	3500	4200	3.380
N2220	2520	100	180	46	334000	444000	3100	4200	4.820
N222	2222	110	200	38	241000	290000	3100	3700	4.650
N2222	2522	110	200	53	384000	517000	2800	3700	6.930
N224	2224	120	215	40	260000	318000	2900	3400	5.650
N2224	2524	120	215	58	452000	619000	2600	3400	8.560
N226	2226	130	230	40	282000	362000	2700	3200	6.490
N2226	2526	130	230	64	530000	737000	2400	3200	11.200
N228	2228	140	250	42	324000	421000	2400	2900	8.270
N2228	2528	140	250	68	572000	835000	2200	2900	14.300
N230	2230	150	270	45	374000	492000	2200	2700	10.300
N2230	2530	150	270	73	662000	982000	2000	2600	18.700
N232	2232	160	290	48	427000	568000	2100	2500	14.400
N234	2234	170	310	52	475000	637000	1900	2300	18.400
N236	2236	180	320	52	492000	677000	1800	2200	19.300
N304	2304	20	52	15	23100	19200	12000	16000	0.147
N305	2305	25	62	17	29300	25200	10000	14000	0.241

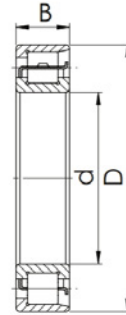
ISO	GOST	Dimensions (mm)			Basic Load Rating (N)		Limiting speed (r/min)		Weight (kg)
		d	D	B	Dyn. C	Stat. C ₀	Lubrication		
							Grease	Oil	
N2305	2605	25	62	24	53200	54500	9000	12000	0.360
N306	2306	30	72	19	38600	35200	8700	12000	0.403
N2306	2606	30	72	27	70000	75500	8000	10000	0.540
N307	2307	35	80	21	49600	46900	7900	10000	0.477
N2307	2607	35	80	31	87500	98200	7000	9000	0.740
N308	2308	40	90	23	58600	56900	6900	9100	0.657
N2308	2608	40	90	33	105000	118000	6300	8000	1.000
N309	2309	45	100	25	78800	77500	6200	8300	0.870
N2309	2609	45	100	36	130000	152000	5600	7000	1.340
N310	2310	50	110	27	92200	93400	5600	7500	1.200
N2310	2610	50	110	40	155000	185000	5300	6700	1.150
N311	2311	55	120	29	110000	110000	5100	6800	1.440
N2311	2611	55	120	43	190000	228000	4800	6000	2.300
N312	2312	60	130	31	124000	126000	4700	6300	1.830
N2312	2612	60	130	46	239000	269000	5600	6700	2.770
N313	2313	65	140	33	137000	139000	4300	5800	2.240
N2313	2613	65	140	48	275000	315000	5300	6000	3.510
N314	2314	70	150	35	162000	168000	4000	5400	2.730
N2314	2614	70	150	51	234000	358000	4800	5600	3.860
N315	2315	75	160	37	194000	205000	3800	5000	3.240
N2315	2615	75	160	55	365000	391000	4500	5300	4.570
N316	2316	80	170	39	194000	207000	3500	4700	3.920
N2316	2616	80	170	58	497000	325000	4300	5000	6.300
N317	2317	85	180	41	225000	247000	3300	4500	4.520
N2317	2617	85	180	60	441000	473000	4000	4800	8.000
N318	2318	90	190	43	243000	265000	3100	4200	5.380
N2318	2618	90	190	64	475000	505000	3800	4500	8.690
N319	2319	95	200	45	277000	310000	3000	4000	6.200
N2319	2620	95	200	67	501000	532000	3600	4300	9.520
N320	2320	100	215	47	323000	337000	2800	3700	7.700
N2320	2620	100	215	73	570000	717000	2400	3600	12.100
N330	2330	150	320	65	663000	807000	1800	2300	26.400
N2330	2630	150	320	108	1180000	1600000	1400	2100	44.700



NF



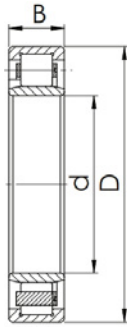
NF (S)



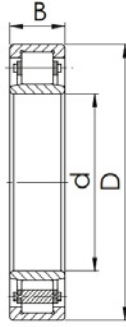
NF (M)

ISO	GOST	Dimensions (mm)			Basic Load Rating (N)		Limiting speed (r/min)		Weight (kg)
		d	D	B	Dyn. C	Stat. C ₀	Lubrication		
							Grease	Oil	
NF202	12202	15	35	11	13500	11600	20000	23000	0.051
NF203	12203	17	40	12	14800	12100	18000	21000	0.072
NF204	12204	20	47	14	15400	12700	15000	18000	0.117
NF205	12205	25	52	15	17700	15700	13000	16000	0.142
NF206	12206	30	62	16	23500	21500	11000	13000	0.216
NF207	12207	35	72	17	33600	31500	9500	10000	0.317
NF2207	12507	35	72	23	37100	39200	7500	9500	0.324
NF208	12208	40	80	18	43800	42900	8300	10000	0.395
NF209	12209	45	85	19	46100	46900	7700	9200	0.461
NF210	12210	50	90	20	48200	51000	7100	8500	0.517
NF211	12211	55	100	21	58000	62300	6400	7700	0.690
NF212	12212	60	110	22	71900	79900	5800	7000	0.888
NF213	12213	65	120	23	83800	94400	5400	6400	1.132
NF214	12214	70	125	24	83300	95200	5100	6100	1.241
NF215	12215	75	130	25	101000	118000	4800	5800	1.338
NF216	12216	80	140	26	106000	122000	4500	5400	1.628
NF217	12217	85	150	28	121000	140000	4200	5000	2.050
NF218	12218	90	160	30	152000	178000	3900	4700	2.460
NF219	12219	95	170	32	165000	195000	3700	4400	3.020
NF220	12220	100	180	34	183000	217000	3500	4200	3.650
NF221	12221	105	190	36	201000	241000	3300	3900	4.310
NF222	12222	110	200	38	241000	290000	3100	3700	5.010
NF228	12228	140	250	42	324000	421000	2400	2900	8.900
NF230	12230	150	270	45	374000	492000	2200	2700	11.000
NF304	12304	20	52	15	23100	19200	12000	16000	0.158
NF305	12305	25	62	17	29300	25200	10000	14000	0.260
NF2305	12605	25	62	24	38500	39200	9000	12000	0.370
NF306	12306	30	72	19	38600	35200	8700	12000	0.387
NF2306	12606	30	72	27	46500	47500	8000	10000	0.600
NF307	12307	35	80	21	49600	46900	7900	10000	0.515
NF2307	12607	35	80	31	54800	57000	7000	9000	0.850
NF308	12308	40	90	23	58600	56900	6900	9100	0.709
NF2308	12608	40	90	33	70800	76800	6300	8000	1.100
NF309	12309	45	100	25	78800	77500	6200	8300	0.938
NF2309	12609	45	100	36	91500	100000	5600	7000	1.500
NF310	12310	50	110	27	92200	93400	5600	7500	1.241
NF2310	12610	50	110	40	112000	132000	5300	6700	1.900
NF311	12311	55	120	29	111000	111000	5100	6800	1.553
NF2311	12611	55	120	43	130000	148000	4800	6500	2.400
NF312	12312	60	130	31	124000	126000	4700	6300	1.970
NF313	12313	65	140	33	137000	139000	4300	5800	2.410
NF314	12314	70	150	35	162000	168000	4000	5400	2.940
NF315	12315	75	160	37	194000	205000	3800	5000	3.500

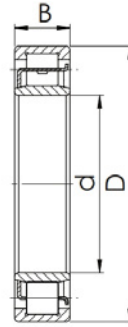
ISO	GOST	Dimensions (mm)			Basic Load Rating (N)		Limiting speed (r/min)		Weight (kg)
		d	D	B	Dyn. C	Stat. C ₀	Lubrication		
							Grease	Oil	
NF316	12316	80	170	39	195000	207000	3500	4700	4.230
NF317	12317	85	180	41	225000	247000	3300	4500	4.880
NF318	12318	90	190	43	243000	265000	3100	4200	5.810
NF319	12319	95	200	45	277000	311000	3000	4000	6.690
NF320	12320	100	215	47	323000	337000	2800	3700	8.300
NF321	12321	105	225	49	366000	417000	2600	3500	8.760
NF322	12322	110	240	50	352000	428000	2000	2800	9.460
NF324	12324	120	260	55	458000	551000	2200	3000	14.130
NF326	12326	130	280	58	564000	667000	2100	2700	17.700
NF328	12328	140	300	62	623000	746000	1900	2500	21.600
NF330	12330	150	320	65	663000	807000	1800	2300	28.500
NF332	12332	160	340	68	698000	876000	1600	2200	31.700
NF406	12406	30	90	23	62800	55000	7600	10000	0.75
NF407	12407	35	100	25	75200	68900	6600	8800	1.10
NF408	12408	40	110	27	97100	89100	6000	8000	1.41
NF409	12409	45	120	29	115000	112000	5400	7200	1.77
NF410	12410	50	130	31	139000	136000	4900	6600	2.17
NF411	12411	55	140	33	142000	138000	4600	6100	2.71
NF412	12412	60	150	35	178000	184000	4200	5700	3.26
NF413	12413	65	160	37	198000	203000	4000	5300	3.86
NF414	12414	70	180	42	246000	257000	3500	4700	5.68
NF415	12415	75	190	45	265000	274000	3300	4400	6.74
NF416	12416	80	200	48	302000	315000	3100	4200	7.85
NF417	12417	85	210	52	340000	350000	3000	4000	9.36
NF418	12418	90	225	54	374000	400000	2800	3700	11.11
NF419	12419	95	240	55	410000	444000	2600	3400	14.67
NF420	12420	100	250	58	458000	498000	2500	3300	15.10
NF421	12421	105	260	60	471000	510000	2400	3100	20.61
NF422	12422	110	280	65	550000	621000	2200	2900	21.47
NF424	12424	120	310	72	690000	770000	1900	2600	30.16
NF426	12426	130	340	78	771000	876000	1800	2300	39.00
NF428	12428	140	360	82	874000	1020000	1600	2200	50.50
NF430	12430	150	380	85	930000	1120000	1500	2000	57.40



NU



NU (S)

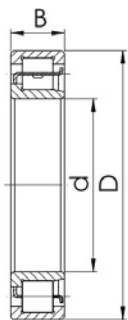


NU (M)

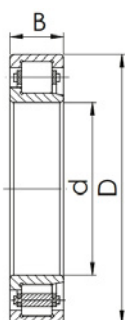
ISO	GOST	Dimensions (mm)			Basic Load Rating (N)		Limiting speed (r/min)		Weight (kg)
		d	D	B	Dyn. C	Stat. C ₀	Lubrication		
							Grease	Oil	
NU1006	32106	30	55	13	18700	18400	13000	15000	0.12
NU1007	32107	35	62	14	22600	23200	11000	13000	0.18
NU1008	32108	40	68	15	24900	25700	10000	12000	0.22
NU1009	32109	45	75	16	31000	33800	9200	11000	0.29
NU1010	32110	50	80	16	33600	36800	8400	9900	0.31
NU1011	32111	55	90	18	37400	43800	7600	8900	0.45
NU1012	32112	60	95	18	42100	50000	7000	8300	0.48
NU1013	32113	65	100	18	43300	52900	6600	7800	0.51
NU1014	32114	70	110	20	57900	70400	6100	7200	0.70
NU1015	32115	75	115	20	63600	78100	5700	6800	0.74
NU1016	32116	80	125	22	69300	86400	5300	6300	1.00
NU1017	32117	85	130	22	71400	91200	5100	6000	1.04
NU1018	32118	90	140	24	84700	109000	4700	5600	1.34
NU1019	32119	95	145	24	87200	115000	4600	5300	1.40
NU1020	32120	100	150	24	91000	120000	4300	5100	1.46
NU1021	32121	105	160	26	108000	149000	4100	4800	1.85
NU1022	32122	110	170	28	134000	171000	3900	4500	2.31
NU1024	32124	120	180	28	137000	181000	3500	4200	2.47
NU1026	32126	130	200	33	171000	238000	3200	3800	3.77
NU1028	32128	140	210	33	175000	250000	3000	3600	4.00
NU1030	32130	150	225	35	201000	281000	2800	3300	4.83
NU1032	32132	160	240	38	236000	330000	2600	3000	5.93
NU1034	32134	170	260	42	276000	400000	2400	2800	7.90
NU1036	32136	180	280	46	356000	503000	2200	2600	10.50
NU1038	32138	190	290	46	366000	530000	2100	2500	10.90
NU1040	32140	200	310	51	388000	582000	1900	2300	14.10
NU1044	32144	220	340	56	507000	748000	1700	2000	18.50
NU202	32202	15	35	11	12700	10400	19000	22000	0.05
NU203	32203	17	40	12	17600	14600	17000	20000	0.07
NU2203	32503	17	40	16	24000	22000	16000	18500	0.09
NU204	32204	20	47	14	25700	22600	15000	18000	0.11
NU2204	32504	20	47	18	30600	28300	13000	18000	0.15
NU205	32205	25	52	15	29300	27700	13000	15000	0.14
NU2205	32505	25	52	18	34900	34600	12000	15000	0.17
NU206	32206	30	62	16	39100	37400	11000	13000	0.21
NU2206	32506	30	62	20	48900	49800	9700	13000	0.26
NU207	32207	35	72	17	50200	50200	9300	11000	0.31
NU2207	32507	35	72	23	61600	65300	8300	11000	0.40
NU208	32208	40	80	18	55700	55400	8300	9900	0.38
NU2208	32508	40	80	23	72300	77600	7400	9900	0.49
NU209	32209	45	85	19	63100	66400	7600	9200	0.44
NU2209	32509	45	85	23	76100	84600	6900	9200	0.54
NU210	32210	50	90	20	66100	71900	7100	8500	0.50

ISO	GOST	Dimensions (mm)			Basic Load Rating (N)		Limiting speed (r/min)		Weight (kg)
							Lubrication		
		d	D	B	Dyn. C	Stat. C ₀	Grease	Oil	
NU2210	32510	50	90	23	79700	91500	6400	8500	0.58
NU211	32211	55	100	21	86400	98700	6400	7700	0.65
NU2211	32511	55	100	25	101000	122000	5800	7700	0.81
NU 212	32212	60	110	22	97700	107000	5800	6900	0.83
NU 2212	32512	60	110	28	131000	157000	5200	6900	1.1
NU 213	32213	65	120	23	108000	119000	5300	6400	1.05
NU 2213	32513	65	120	31	149000	181000	4800	6400	1.45
NU 214	32214	70	125	24	119000	137000	5000	6000	1.16
NU 2214	32514	70	125	31	156000	194000	4500	6000	1.53
NU 215	32215	75	130	25	130000	156000	4800	5700	1.29
NU 2215	32515	75	130	31	162000	207000	4300	5700	1.61
NU 216	32216	80	140	26	139000	167000	4400	5300	1.56
NU 2216	32516	80	140	33	186000	243000	4000	5300	2.03
NU 217	32217	85	150	28	167000	199000	4200	5000	1.94
NU2217	32517	85	150	36	218000	279000	3700	5000	2.53
NU 218	32218	90	160	30	182000	217000	3900	4700	2.38
NU2218	32518	90	160	40	242000	314000	3500	4700	3.21
NU 219	32219	95	170	32	221000	265000	3700	4400	2.92
NU 2219	32519	95	170	43	287000	371000	3300	4400	3.93
NU 220	32220	100	180	34	250000	306000	3500	4200	3.52
NU 2220	32520	100	180	46	334000	444000	3100	4200	4.82
NU 221	32221	105	190	36	201000	241000	3300	3900	4
NU 222	32222	110	200	38	293000	365000	3100	3700	4.9
NU 2222	32522	110	200	53	384000	517000	2800	3700	6.93
NU224	32224	120	215	40	336000	421000	2800	3400	5.85
NU2224	32524	120	215	58	452000	619000	2600	3400	8.56
NU226	32226	130	230	40	364000	453000	2600	3200	6.60
NU2226	32526	130	230	64	530000	737000	2400	3200	11.20
NU228	32228	140	250	42	392000	514000	2400	2900	8.50
NU2228	32528	140	250	68	572000	835000	2200	2900	14.30
NU230	32230	150	270	45	448000	594000	2200	2600	10.70
NU2230	32530	150	270	73	662000	982000	2000	2600	18.70
NU232	32232	160	290	48	498000	666000	2000	2400	14.80
NU2232	32530	160	290	80	809000	1190000	1800	2400	26.60
NU234	32334	170	310	52	603000	802000	1900	2000	18.60
NU2234	32534	170	310	86	967000	1410000	1700	2200	29.20
NU236	32236	180	320	52	626000	852000	1800	2100	19.30
NU2236	32536	180	320	86	1010000	1510000	1600	2100	30.40
NU238	32238	190	340	55	694000	954000	1700	2000	23.30
NU2238	32538	190	340	92	1100000	1670000	1500	2000	37.00
NU240	32240	200	360	58	766000	1060000	1600	1900	27.20
NU2240	32540	200	360	98	1220000	1870000	1400	1900	44.40
NU244	32244	220	400	65	766000	1080000	1400	1700	38.50
NU2244	32544	220	400	108	1130000	1810000	1200	1700	60.90
NU303	32303	17	47	14	25500	21200	14000	17000	0.15
NU304	32304	20	52	15	31500	26900	12000	16000	0.15
NU2304	32604	20	52	21	42000	38800	11000	16000	0.21
NU305	32305	25	62	17	41600	37400	10000	14000	0.24
NU2305	32605	25	62	24	57000	56100	9100	14000	0.35
NU306	32306	30	72	19	53100	50200	8700	12000	0.36
NU2306	32606	30	72	27	74600	77600	7800	12000	0.53
NU307	32307	35	80	21	66600	65400	7700	10000	0.48
NU2307	32607	35	80	31	93100	101000	6900	10000	0.73
NU308	32308	40	90	23	83100	81500	6800	9100	0.66
NU2308	32608	40	90	33	114000	122000	6100	9100	0.96
NU309	32309	45	100	25	97400	98300	6100	8200	0.91
NU2309	32609	45	100	36	137000	153000	5400	8200	1.32
NU310	32310	50	110	27	110000	113000	5500	7400	1.15
NU2310	32610	50	110	40	163000	187000	4900	7400	1.76

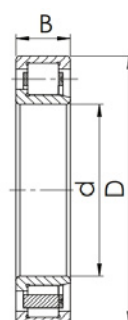
ISO	GOST	Dimensions (mm)			Basic Load Rating (N)		Limiting speed (r/min)		Weight (kg)
		d	D	B	Dyn. C	Stat. C ₀	Lubrication		
							Grease	Oil	
NU311	32311	55	120	29	137000	143000	5100	6700	1.50
NU2311	32611	55	120	43	201000	233000	4500	6700	2.25
NU312	32312	60	130	31	150000	157000	4600	6200	1.87
NU2312	32612	60	130	46	223000	262000	4100	6200	2.81
NU313	32313	65	140	33	181000	191000	4300	5700	2.31
NU2313	32613	65	140	48	251000	287000	3800	5700	3.36
NU314	32314	70	150	35	205000	222000	4000	5300	2.81
NU2314	32614	70	150	51	275000	323000	3600	5300	4.08
NU315	32315	75	160	37	240000	263000	3700	5000	3.37
NU2315	32615	75	160	55	329000	395000	3300	5000	5.00
NU316	32316	80	170	39	259000	282000	3500	4700	4.00
NU2316	32616	80	170	58	361000	431000	3100	4700	5.95
NU317	32317	85	180	41	291000	330000	3300	4400	4.80
NU2317	32617	85	180	60	394000	485000	2900	4400	6.98
NU318	32318	90	190	43	316000	355000	3100	4100	5.47
NU2318	32618	90	190	64	437000	534000	2800	4100	8.12
NU319	32319	95	200	45	334000	387000	2900	3900	6.42
NU2319	32619	95	200	67	394000	469000	2600	4000	9.39
NU320	32320	100	215	47	379000	424000	2700	3600	7.75
NU2320	32620	100	215	73	570000	717000	2400	3600	12.10
NU321	32321	105	225	49	440000	500000	2600	3500	8.76
NU322	32322	110	240	50	451000	525000	2400	3200	10.70
NU2322	32622	110	240	80	680000	880000	22	3400	18.90
NU324	32324	120	260	55	528000	610000	2200	3000	13.40
NU2324	32624	120	260	86	793000	1030000	2000	3000	23.10
NU326	32326	130	280	58	616000	736000	2000	2700	16.70
NU2326	32626	130	280	93	920000	1230000	1800	2700	29.10
NU328	32328	140	300	62	663000	797000	1900	2500	20.40
NU2328	32628	140	300	102	1020000	1380000	1700	2500	36.80
NU330	32330	150	320	65	757000	922000	1700	2300	27.00
NU2330	32630	150	320	108	1180000	1600000	1500	2300	44.70
NU332	32332	160	340	68	857000	1050000	1600	2100	32.00
NU2332	32632	160	340	114	1310000	1820000	1400	2100	53.10
NU334	32334	170	361	73	809000	1010000	1500	2000	38.60
NU2334	32634	170	360	120	1220000	1750000	1300	2000	62.60
NU336	32336	180	380	75	917000	1150000	1400	1900	42.60
NU2336	32636	180	380	126	1350000	1940000	1300	1900	73.00
NU406	32406	30	90	23	62800	55000	7600	10000	0.753
NU407	32407	35	100	25	75200	68900	6600	8800	1.02
NU408	32408	40	110	27	97100	89100	6000	8000	1.3
NU409	32409	45	120	29	115000	112000	5400	7200	1.64
NU410	32410	50	130	31	139000	136000	4900	6600	2.01
NU411	32411	55	140	33	142000	138000	4600	6100	2.51
NU412	32412	60	150	35	178000	184000	4200	5700	3.02
NU413	32413	65	160	37	198000	203000	4000	5300	3.58
NU414	32414	70	180	42	246000	257000	3500	4700	5.26
NU415	32415	75	190	45	265000	274000	3300	4400	6.25
NU416	32416	80	200	48	302000	315000	3100	4200	7.28
NU417	32417	85	210	52	340000	350000	3000	4000	8.68
NU418	32418	90	225	54	374000	400000	2800	3700	10.3
NU419	32419	95	240	55	410000	444000	2600	3400	13.6
NU420	32420	100	250	58	458000	498000	2500	3300	14
NU422	32422	110	280	65	550000	621000	2200	2900	19.9
NU424	32424	120	310	72	690000	770000	1900	2600	28
NU426	32426	130	340	78	771000	876000	1800	2300	36.1
NU428	34328	140	360	82	874000	1020000	1600	2200	46.8
NU430	32430	150	380	85	930000	1120000	1500	2000	53.3



NJ



NJ (S)

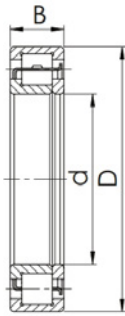


NJ (M)

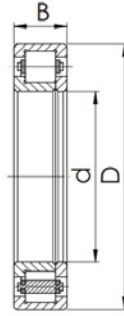
ISO	GOST	Dimensions (mm)			Basic Load Rating (N)		Limiting speed (r/min)		Weight (kg)
		d	D	B	Dyn. C	Stat. C ₀	Lubrication		
							Grease	Oil	
NJ1006	42106	30	55	13	18700	18400	13000	15000	0.124
NJ1007	42107	35	62	14	22600	23200	11000	13000	0.187
NJ1008	42108	40	68	15	24900	25700	10000	12000	0.229
NJ1009	42109	45	75	16	31000	33800	9200	11000	0.297
NJ1010	42110	50	80	16	33600	36800	8400	9900	0.314
NJ1011	42111	55	90	18	37400	43800	7600	8900	4.57
NJ1012	42112	60	95	18	42100	50000	7000	8300	0.49
NJ1013	42113	65	100	18	43300	52900	6600	7800	0.519
NJ1014	42114	70	110	20	57900	70400	6100	7200	0.72
NJ1015	42115	75	115	20	63600	78100	5700	6800	0.75
NJ1016	42116	80	125	22	69300	86400	5300	6300	1.02
NJ1017	42117	85	130	22	71400	91200	5100	6000	1.07
NJ1018	42118	90	140	24	84700	109000	4700	5600	1.38
NJ1019	42119	95	145	24	87200	115000	4500	5300	1.44
NJ1020	42120	100	150	24	91000	120000	4300	5100	1.5
NJ1022	42122	110	170	28	134000	171000	3800	4500	2.37
NJ1024	42124	120	180	28	137000	181000	3500	4200	2.53
NJ1026	42126	130	200	33	171000	238000	3200	3800	3.87
NJ1028	42128	140	210	33	175000	250000	3000	3600	4.11
NJ1030	42130	150	225	35	201000	281000	2800	3300	4.96
NJ203	42203	17	40	12	17600	14600	17000	20000	0.071
NJ202	42202	15	35	11	12700	10400	19000	22000	0.049
NJ204	42204	20	47	14	25700	22600	15000	18000	0.115
NJ2204	42504	20	47	18	30600	28300	13000	18000	0.150
NJ205	42205	25	52	15	29300	27700	13000	15000	0.142
NJ2205	42505	25	52	18	34900	34600	12000	15000	0.170
NJ206	42206	30	62	16	39100	37400	11000	13000	0.214
NJ2206	42506	30	62	20	48900	49800	9700	13000	0.269
NJ207	42207	35	72	17	50200	50200	9300	11000	0.314
NJ2207	42507	35	72	23	61600	65300	8300	11000	0.415
NJ208	42208	40	80	18	55700	55400	8300	9900	0.394
NJ2208	42508	40	80	23	72300	77600	7400	9900	0.503
NJ209	42209	45	85	19	63100	66400	7600	9200	0.451
NJ2209	42509	45	85	23	76100	84600	6900	9200	0.550
NJ210	42210	50	90	20	66100	71900	7100	8500	0.510
NJ2210	42510	50	90	23	79700	91500	6400	8500	0.595
NJ211	42211	55	100	21	86400	98700	6400	7700	0.667
NJ2211	42511	55	100	25	101000	122000	5800	7700	0.827
NJ212	42212	60	110	22	97700	107000	5800	6900	0.852
NJ2212	42512	60	110	28	131000	157000	5200	6900	1.119
NJ213	42213	65	120	23	108000	119000	5300	6400	1.078
NJ2213	42513	65	120	31	149000	181000	4800	6400	1.488
NJ214	42214	70	125	24	119000	137000	5000	6000	1.190

ISO	GOST	Dimensions (mm)			Basic Load Rating (N)		Limiting speed (r/min)		Weight (kg)
		d	D	B	Dyn. C	Stat. C ₀	Lubrication		
							Grease	Oil	
NJ2214	42514	70	125	31	156000	194000	4500	6000	1.570
NJ215	42215	75	130	25	130000	156000	4800	5700	1.320
NJ2215	42515	75	130	31	162000	207000	4300	5700	1.650
NJ216	42216	80	140	26	139000	167000	4400	5300	1.600
NJ2216	42516	80	140	33	186000	243000	4000	5300	2.080
NJ217	42217	85	150	28	167000	199000	4200	5000	2.010
NJ2217	42517	85	150	36	218000	279000	3700	5000	2.620
NJ218	42218	90	160	30	182000	217000	3900	4700	2.450
NJ2218	42518	90	160	40	232000	314000	3500	4700	3.310
NJ219	42219	95	170	42	221000	265000	3700	4400	3.050
NJ2219	42519	95	170	43	287000	371000	3300	4400	4.000
NJ220	42220	100	180	34	250000	306000	3500	4200	3.650
NJ2220	42520	100	180	46	334000	444000	3100	4200	4.990
NJ221	42221	105	190	36	201000	241000	3300	3900	4.140
NJ222	42222	110	200	38	293000	365000	3100	3700	5.060
NJ2222	42522	110	200	53	384000	517000	2800	3700	7.150
NJ224	42224	120	215	40	336000	421000	2800	3400	6.110
NJ2224	42524	120	215	58	452000	619000	2600	3400	9.300
NJ226	42226	130	230	40	364000	453000	2600	3200	6.780
NJ2226	42526	130	230	64	530000	737000	2400	3200	11.550
NJ228	42228	140	250	42	392000	514000	2400	2900	8.770
NJ2228	42528	140	250	68	572000	835000	2200	2900	14.700
NJ230	42230	150	270	45	448000	594000	2200	2600	10.990
NJ2230	42530	150	270	73	662000	982000	2000	2600	19.500
NJ232	42232	160	290	48	498000	666000	2000	2400	15.300
NJ2232	42532	160	290	80	809000	1190000	1800	2400	24.400
NJ234	42234	170	310	52	603000	802000	1900	2200	19.300
NJ2234	42534	170	310	86	967000	1410000	1700	2200	30.000
NJ236	42236	180	320	52	626000	852000	1800	2100	20.100
NJ2236	42536	180	320	86	1010000	1510000	1600	2100	32.000
NJ305	42305	25	62	17	38500	35800	9000	12000	0.25
NJ2305	42605	25	62	24	53200	54500	9000	12000	0.36
NJ306	42306	30	72	19	49200	48200	8000	10000	0.38
NJ2306	42606	30	72	27	70000	75500	8000	10000	0.54
NJ307	42307	35	80	21	62200	64200	7000	9000	0.50
NJ2307	42607	35	80	31	87500	98200	7000	9000	0.74
NJ308	42308	40	90	23	76800	77800	6300	8000	0.68
NJ2308	42608	40	90	33	105000	118000	6300	8000	1.00
NJ309	42309	45	100	25	93000	98000	5600	7000	0.93
NJ2309	42609	45	100	36	130000	152000	5600	7000	1.34
NJ310	42310	50	110	27	105000	112000	5300	6700	1.20
NJ2310	42610	50	110	40	155000	185000	5300	6700	1.79
NJ311	42311	55	120	29	128000	138000	4800	6400	1.53
NJ2311	42611	55	120	43	190000	228000	4800	6400	2.30
NJ312	42312	60	130	31	150000	157000	4600	6200	1.92
NJ2312	42612	60	130	46	223000	262000	4100	6200	2.90
NJ313	42313	65	140	33	181000	191000	4300	5700	2.38
NJ2313	42613	65	140	48	251000	287000	3800	5700	3.47
NJ314	42314	70	150	35	205000	222000	4000	5300	2.90
NJ2314	42614	70	150	51	275000	323000	3600	5300	4.21
NJ315	42315	75	160	37	240000	263000	3700	5000	3.48
NJ2315	42615	75	160	35	329000	395000	3300	5000	5.15
NJ316	42316	80	170	39	259000	282000	3500	4700	4.15
NJ2316	42616	80	170	58	361000	431000	3100	4700	6.14
NJ317	42317	85	180	41	291000	330000	3300	4400	4.97
NJ2317	42617	85	180	60	384000	485000	2900	4400	7.20
NJ318	42318	90	160	43	316000	355000	3100	4100	5.65
NJ2318	42618	90	160	64	437000	534000	2800	4100	8.33
NJ319	42319	95	200	45	334000	387000	2900	3900	6.60

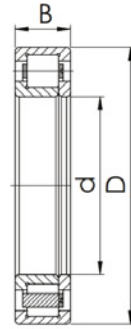
ISO	GOST	Dimensions (mm)			Basic Load Rating (N)		Limiting speed (r/min)		Weight (kg)
							Lubrication		
		d	D	B	Dyn. C	Stat. C ₀	Grease	Oil	
NJ2319	42619	95	200	67	394000	469000	2600	4000	9.67
NJ320	42320	100	215	47	379000	424000	2700	3600	7.99
NJ2320	42620	100	215	73	570000	717000	2400	3600	12.50
NJ322	42322	110	240	50	451000	525000	2400	3200	11.10
NJ2322	42622	110	240	80	680000	880000	2200	3200	19.50
NJ324	42324	120	260	55	528000	610000	2200	3000	14.00
NJ2324	42624	120	260	86	793000	1030000	2000	3000	23.80
NJ326	42326	130	280	58	616000	736000	2000	2700	17.20
NJ2326	42626	130	280	93	920000	1230000	1800	2700	29.90
NJ328	42328	140	300	62	663000	797000	1900	2500	21.10
NJ2328	42628	140	300	102	1020000	1380000	1700	2500	37.90
NJ330	42330	150	320	65	757000	922000	1700	2300	27.70
NJ2330	42630	150	320	108	1180000	1600000	1500	2300	46.20
NJ332	42332	160	340	68	857000	1050000	1600	2100	32.90
NJ2332	42632	160	340	114	1310000	1820000	1400	2100	55.00
NJ334	42334	170	361	73	809000	1010000	1400	2000	40.10
NJ2334	42634	170	360	120	1220000	1750000	1300	2000	65.50
NJ336	42336	180	380	75	835000	1100000	1200	1600	43.80
NJ2336	42636	180	380	126	1210000	1780000	1200	1600	75.00
NJ340	42340	200	420	80	972000	1290000	1000	1400	58.00
NJ344	42344	220	460	88	1080000	1465000	900	1200	77.00
NJ406	42406	30	90	23	62800	55000	7600	10000	0.773
NJ407	42407	35	100	25	75200	68900	6600	8800	1.047
NJ408	42408	40	110	27	97100	89100	6000	8000	1.334
NJ409	42409	45	120	29	115000	112000	5400	7200	1.683
NJ410	42410	50	130	31	139000	136000	4900	6600	2.063
NJ411	42411	55	140	33	142000	138000	4600	6100	2.576
NJ412	42412	60	150	35	178000	184000	4200	5700	3.099
NJ413	42413	65	160	37	198000	203000	4000	5300	3.67
NJ414	42414	70	180	42	246000	257000	3500	4700	5.4
NJ415	42415	75	190	45	265000	274000	3300	4400	6.41
NJ416	42416	80	200	48	302000	315000	3100	4200	7.47
NJ417	42417	85	210	52	340000	350000	3000	4000	8.91
NJ418	42418	90	225	54	374000	400000	2800	3700	10.57
NJ419	42419	95	240	55	410000	444000	2600	3400	13.96
NJ420	42420	100	250	58	458000	498000	2500	3300	14.37
NJ422	42422	110	280	65	550000	621000	2200	2900	20.32
NJ424	42424	120	310	72	690000	770000	1900	2600	28.74
NJ426	42426	130	340	78	771000	876000	1800	2300	37.05
NJ428	42428	140	360	82	874000	1020000	1600	2200	48.03
NJ430	42430	150	380	85	930000	1120000	1500	2000	54.7



NUP



NUP (S)

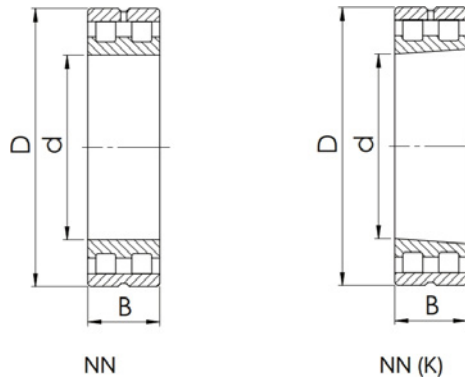


NUP (M)

ISO	GOST	Dimensions (mm)			Basic Load Rating (N)		Limiting speed (r/min)		Weight (kg)
		d	D	B	Dyn. C	Stat. C ₀	Lubrication		
							Grease	Oil	
NUP203	92203	17	40	12	17600	14600	17000	20000	0.073
NUP204	92204	20	47	14	25800	22600	15000	18000	0.118
NUP2204	92504	20	47	18	30600	28300	13000	18000	0.154
NUP205	92205	25	52	15	29300	27700	13000	15000	0.146
NUP2205	92505	25	52	18	34900	34600	12000	15000	0.174
NUP206	92206	30	62	16	39100	37400	11000	13000	0.220
NUP2206	92506	30	62	20	48900	49800	9700	13000	0.276
NUP207	92207	35	72	17	50200	50200	9300	11000	0.322
NUP2207	92507	35	72	23	57500	63000	7500	9500	0.426
NUP208	92208	40	80	18	55700	55400	8300	9900	0.404
NUP2208	92508	40	80	23	72300	77600	7400	9900	0.516
NUP209	92209	45	85	19	63100	66400	7600	9200	0.463
NUP2209	92509	45	85	23	76100	84600	6900	9200	0.564
NUP210	92210	50	90	20	66100	71900	7100	8500	0.523
NUP2210	92510	50	90	23	79700	91500	6400	8500	0.610
NUP211	92211	55	100	21	86400	98700	6400	7700	0.684
NUP2211	92511	55	100	25	101000	122000	5800	7700	0.849
NUP212	92212	60	110	22	97700	107000	5800	6900	0.874
NUP2212	92512	60	110	28	131000	157000	5200	6900	1.148
NUP213	92213	65	120	23	108000	119000	5300	6400	1.106
NUP2213	92513	65	120	31	149000	181000	4800	6400	1.527
NUP214	92214	70	125	24	119000	137000	5000	6000	1.220
NUP2214	92514	70	125	31	156000	194000	4500	6000	1.610
NUP215	92215	75	130	25	130000	156000	4800	5700	1.350
NUP2215	92515	75	130	31	162000	207000	4300	5700	1.690
NUP216	92216	80	140	26	139000	167000	4400	5300	1.640
NUP2216	92516	80	140	33	186000	243000	4000	5300	2.130
NUP217	92217	85	150	28	167000	199000	4200	5000	2.040
NUP2217	92517	85	150	36	218000	279000	3700	5000	2.670
NUP218	92218	90	160	30	182000	217000	3900	4700	2.500
NUP2218	92518	90	160	40	242000	314000	3500	4700	3.380
NUP219	92219	95	170	32	221000	265000	3700	4400	3.080
NUP2219	92519	95	170	43	287000	371000	3300	4400	4.130
NUP220	92220	100	180	34	250000	306000	3500	4200	3.700
NUP2220	92520	100	180	46	334000	444000	3100	4200	5.080
NUP222	92222	110	200	38	293000	365000	3100	3700	5.160
NUP2222	92522	110	200	53	384000	517000	2800	3700	7.290
NUP224	92224	120	215	40	336000	421000	2800	3400	6.160
NUP2224	92524	120	215	58	452000	619000	2600	3400	9.020
NUP226	92226	130	230	40	364000	453000	2600	3200	6.950
NUP2226	92526	130	230	64	530000	737000	2400	3200	11.790
NUP228	92228	140	250	42	392000	514000	2400	2900	8.950
NUP2228	92528	140	250	68	572000	835000	2200	2900	15.060

ISO	GOST	Dimensions (mm)			Basic Load Rating (N)		Limiting speed (r/min)		Weight (kg)
		d	D	B	Dyn. C	Stat. C ₀	Lubrication		
							Grease	Oil	
NUP230	92230	150	270	45	448000	594000	2200	2600	11.270
NUP2230	92530	150	270	73	662000	982000	2000	2600	19.690
NUP236	92236	180	320	52	626000	852000	1800	2100	20.33
NUP240	92240	200	360	58	766000	1060000	1600	1900	28.65
NUP2240	92540	200	360	98	1220000	1870000	1400	1900	46.75
NUP244	92244	220	400	65	766000	1080000	1400	1700	40.54
NUP2244	92544	220	400	108	1130000	1810000	1200	1700	64.13
NUP248	92248	240	440	72	949000	1340000	1200	1500	54.86
NUP304	92304	20	52	15	31500	26900	12000	16000	0.161
NUP2304	92604	20	52	21	42000	38800	11000	16000	0.227
NUP305	92305	25	62	17	41600	37400	10000	14000	0.255
NUP2305	92605	25	62	24	57000	56100	9100	14000	0.368
NUP306	92306	30	72	19	53100	50200	8700	12000	0.380
NUP2306	92606	30	72	27	74600	77600	7800	12000	0.562
NUP307	92307	35	80	21	66600	65400	7700	10000	0.508
NUP2307	92607	35	80	31	93100	10100	6900	10000	0.767
NUP308	92308	40	90	23	83100	91500	6800	9100	0.699
NUP2308	92608	40	90	33	114000	122000	6100	9100	1.013
NUP309	92309	45	100	25	97400	98300	6100	8200	0.957
NUP2309	92609	45	100	36	137000	153000	5400	8200	1.390
NUP310	92310	50	110	27	110000	113000	5500	7400	1.211
NUP2310	92610	50	110	40	163000	187000	4900	7400	1.853
NUP311	92311	55	120	29	137000	143000	5100	6700	1.579
NUP2311	92611	55	120	43	201000	233000	4500	6700	2.369
NUP312	92312	60	130	31	150000	157000	4600	6200	1.969
NUP2312	92612	60	130	46	223000	262000	4100	6200	2.959
NUP313	92313	65	140	33	181000	191000	4300	5700	2.430
NUP2313	92613	65	140	48	251000	287000	3800	5700	3.540
NUP314	92314	70	150	35	205000	222000	4000	5300	2.950
NUP2314	92614	70	150	51	275000	323000	3600	5300	4.300
NUP315	92315	75	160	37	240000	263000	3700	5000	3.550
NUP2315	92615	75	160	55	329000	395000	3300	5000	5.260
NUP316	92316	80	170	39	259000	282000	3500	4700	4.220
NUP2316	92616	80	170	58	361000	431000	3100	4700	6.270
NUP317	92317	85	180	41	291000	330000	3300	4400	5.060
NUP2317	92617	85	180	60	394000	485000	2900	4400	7.350
NUP318	92318	90	160	43	316000	355000	3100	4100	5.760
NUP2318	92618	90	160	64	437000	534000	2800	4100	8.550
NUP319	92319	95	200	45	334000	387000	2900	3900	6.760
NUP2319	92619	95	200	67	394000	496000	2600	4000	9.890
NUP320	92320	100	215	47	379000	424000	2700	3600	8.160
NUP2320	92620	100	215	73	570000	717000	2400	3600	12.740
NUP322	92322	110	240	50	451000	525000	2400	3200	11.270
NUP2322	92622	110	240	80	680000	880000	2200	3200	19.790
NUP324	92324	120	260	55	528000	610000	2200	3000	14.11
NUP2324	92624	120	260	86	793000	1030000	2000	3000	24.33
NUP326	92326	130	280	58	616000	736000	2000	2700	17.59
NUP2326	92626	130	280	93	920000	1230000	1800	2700	30.65
NUP328	92328	140	300	62	663000	797000	1900	2500	21.48
NUP2328	92628	140	300	102	1020000	1380000	1700	2500	38.75
NUP330	92330	150	320	65	757000	922000	1700	2300	28.43
NUP2330	92630	150	320	108	1180000	1600000	1500	2300	47.07
NUP406	92406	30	90	23	62800	55000	7600	10000	0.793
NUP407	92407	35	100	25	75200	68900	6600	8800	1.074
NUP408	92408	40	110	27	97100	89100	6000	8000	1.369
NUP409	92409	45	120	29	115000	112000	5400	7200	1.727
NUP410	92410	50	130	31	139000	136000	4900	6600	2.117
NUP411	92411	55	140	33	142000	138000	4600	6100	2.643
NUP412	92412	60	150	35	178000	184000	4200	5700	3.18

ISO	GOST	Dimensions (mm)			Basic Load Rating (N)		Limiting speed (r/min)		Weight (kg)
							Lubrication		
		d	D	B	Dyn. C	Stat. C ₀	Grease	Oil	
NUP413	92413	65	160	37	198000	203000	4000	5300	3.77
NUP414	92414	70	180	42	246000	257000	3500	4700	5.54
NUP415	92415	75	190	45	265000	274000	3300	4400	6.58
NUP416	92416	80	200	48	302000	315000	3100	4200	7.66
NUP417	92417	85	210	52	340000	350000	3000	4000	9.14
NUP418	92418	90	225	54	374000	400000	2800	3700	10.84
NUP419	92419	95	240	55	410000	444000	2600	3400	14.32
NUP420	92420	100	250	58	458000	498000	2500	3300	14.74
NUP422	92422	110	280	65	550000	621000	2200	2900	20.95
NUP424	92424	120	310	72	690000	770000	1900	2600	29.49
NUP426	92426	130	340	78	771000	876000	1800	2300	38.01
NUP428	92428	140	360	82	874000	1020000	1600	2200	49.28
NUP430	92430	150	380	85	930000	1120000	1500	2000	56.12



ISO	GOST	Dimensions (mm)			Basic Load Rating (N)		Limiting speed (r/min)		Weight (kg)
							Lubrication		
		d	D	B	Dyn. C	Stat. C ₀	Grease	Oil	
NN3006	3282106	30	55	19	29000	34000	16000	19000	0.191
NN3006 K	3182106	30	55	19	29000	34000	16000	19000	0.191
NN3007	3282107	35	62	20	35500	44000	14000	17000	0.249
NN3007 K	3182107	35	62	20	35500	44000	14000	17000	0.249
NN3008	3282108	40	68	21	45000	58500	12000	15000	0.303
NN3008 K	3182108	40	68	21	45000	58500	12000	15000	0.303
NN3009	3282109	45	75	23	54000	72000	11000	14000	0.393
NN3009 K	3182109	45	75	23	54000	72000	11000	14000	0.393
NN3010	3282110	50	80	23	57000	80000	10000	13000	0.426
NN3010 K	3182110	50	80	23	57000	80000	10000	13000	0.426
NN3011	3282111	55	90	26	72000	100000	9000	11000	0.630
NN3011 K	3182111	55	90	26	72000	100000	9000	11000	0.630
NN3012	3282112	60	95	26	75000	110000	8500	10000	0.674
NN3012 K	3182112	60	95	26	75000	110000	8500	10000	0.674
NN3013	3282113	65	100	26	76500	116000	8000	9500	0.715
NN3013 K	3182113	65	100	26	76500	116000	8000	9500	0.715
NN3014	3282114	70	110	30	98000	150000	7000	8500	1.040
NN3014 K	3182114	70	110	30	98000	150000	7000	8500	1.040
NN3015	3282115	75	115	30	100000	156000	6700	8000	1.090
NN3015 K	3182115	75	115	30	100000	156000	6700	8000	1.090
NN3016	3282116	80	125	34	120000	186000	6300	7500	1.510
NN3016 K	3182116	80	125	34	120000	186000	6300	7500	1.510
NN3017	3282117	85	130	34	125000	200000	6000	7000	1.580
NN3017 K	3182117	85	130	34	125000	200000	6000	7000	1.580

ISO	GOST	Dimensions (mm)			Basic Load Rating (N)		Limiting speed (r/min)		Weight (kg)
		d	D	B	Dyn. C	Stat. C ₀	Lubrication		
							Grease	Oil	
NN3018	3282118	90	140	37	140000	224000	5600	6700	2.050
NN3018 K	3182118	90	140	37	140000	224000	5600	6700	2.050
NN3019	3282119	95	145	37	143000	236000	5300	6300	2.140
NN3019 K	3182119	95	145	37	143000	236000	5300	6300	2.140
NN3020	3282120	100	150	37	146000	245000	5300	6300	2.230
NN3020 K	3182120	100	150	37	146000	245000	5300	6300	2.230
NN3021	3282121	105	160	41	190000	310000	4800	5600	2.840
NN3021 K	3182121	105	160	41	190000	310000	4800	5600	2.840
NN3022	3282122	110	170	45	220000	360000	4500	5300	3.610
NN3022 K	3182122	110	170	45	220000	360000	4500	5300	3.610
NN3024	3282124	120	180	46	242000	390000	4300	5000	3.940
NN3024 K	3182124	120	180	46	242000	390000	4300	5000	3.940
NN3026	3282126	130	200	52	290000	500000	3800	4500	5.790
NN3026 K	3182126	130	200	52	290000	500000	3800	4500	5.790
NN3028	3282128	140	210	53	300000	520000	3600	4300	6.220
NN3028 K	3182128	140	210	53	300000	520000	3600	4300	6.220
NN3030	3282130	150	225	56	335000	585000	3400	4000	7.580
NN3030 K	3182130	150	225	56	335000	585000	3400	4000	7.580
NN3032	3282132	160	240	60	375000	670000	3200	3800	9.230
NN3032 K	3182132	160	240	60	375000	670000	3200	3800	9.230
NN3034	3282134	170	260	67	450000	800000	3000	3600	12.500
NN3034 K	3182134	170	260	67	450000	800000	3000	3600	12.500
NN3036	3282136	180	280	74	570000	1000000	2800	3400	16.400
NN3036 K	3182136	180	280	74	570000	1000000	2800	3400	16.400
NN3038	3282138	190	290	75	585000	1040000	2600	3200	17.300
NN3038 K	3182138	190	290	75	585000	1040000	2600	3200	17.300
NN3040	3282140	200	310	82	655000	1200000	2400	3000	22.200
NN3040 K	3182140	200	310	82	655000	1200000	2400	3000	22.200
NN3044	3282144	220	340	90	800000	1460000	2200	2800	29.100
NN3044 K	3182144	220	340	90	800000	1460000	2200	2800	29.100
NN3048	3282148	240	360	92	850000	1560000	2000	2600	31.600
NN3048 K	3182148	240	360	92	850000	1560000	2000	2600	31.600
NN3052	3282152	260	400	104	1060000	2000000	1900	2400	46.200
NN3052 K	3182152	260	400	104	1060000	2000000	1900	2400	46.200
NN3056	3282156	280	420	106	1080000	2080000	1800	2200	49.700
NN3056 K	3182156	280	420	106	1080000	2080000	1800	2200	49.700
NN3060	3282160	300	460	118	1270000	2400000	1600	1900	68.800
NN3060 K	3182160	300	460	118	1270000	2400000	1600	1900	68.800
NN3064	3282164	320	480	121	1420000	2600000	1600	1900	74.200
NN3064 K	3182164	320	480	121	1420000	2600000	1600	1900	74.200
NN3068	3282168	340	520	133	1630000	3250000	1400	1700	99.300
NN3068 K	3182168	340	520	133	1630000	3250000	1400	1700	99.300
NN3072	3282172	360	540	134	1660000	3350000	1400	1700	104.000
NN3072 K	3182172	360	540	134	1660000	3350000	1400	1700	104.000
NN3076	3282176	380	560	135	1700000	3450000	1300	1600	110.000
NN3076 K	3182176	380	560	135	1700000	3450000	1300	1600	110.000
NN3080	3282180	400	600	148	2160000	4500000	1200	1500	143.000
NN3080 K	3182180	400	600	148	2160000	4500000	1200	1500	143.000
NN3084	3282184	420	620	150	2120000	4500000	1200	1500	150.000
NN3084 K	3182184	420	620	150	2120000	4500000	1200	1500	150.000
NN3088	3282188	440	650	157	2450000	5100000	1100	1400	172.000
NN3088 K	3182188	440	650	157	2450000	5100000	1100	1400	172.000
NN3092	3282192	460	680	163	2600000	5400000	1100	1400	197.000
NN3092 K	3182192	460	680	163	2600000	5400000	1100	1400	197.000
NN3096	3282196	480	700	165	2700000	5850000	1000	1300	206.000
NN3096 K	3182196	480	700	165	2700000	5850000	1000	1300	206.000

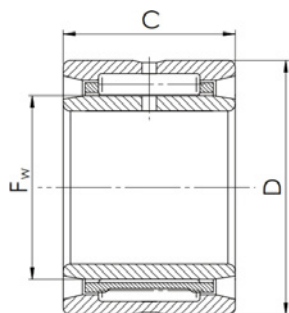


Features

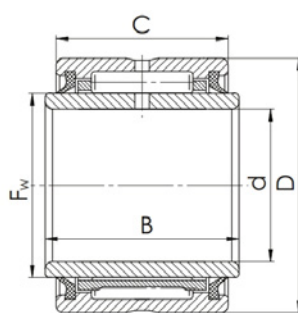
Needle bearings feature a smaller cross-section, higher load-carrying capacity, greater rigidity, and lower inertia forces that facilitate size and weight reductions in machinery. They're designed to withstand oscillation, perform under severe conditions, and interchange with sliding bearings. Diverse types of CRAFT needle bearings are available in a wide variety of sizes and tolerances, for a multitude of applications.

Benefits

Needle roller bearings are smaller than general bearings but have a greater load carrying capacity. This advantage allows for more compact designs for bearings as well as for bearing housings. Use of these bearings lowers costs by allowing for lighter-weight machinery and more compact structures.



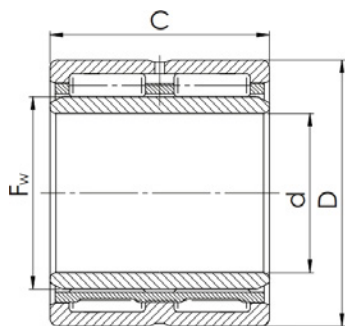
NA49



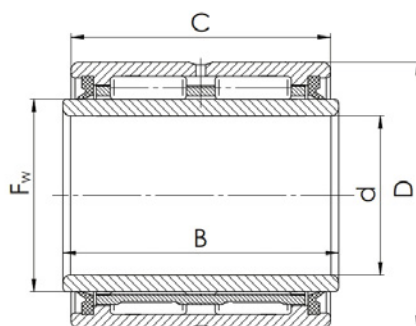
NA 49 2RS

ISO	Dimensions (mm)				Basic Load Rating (N)		Limiting speed (r/min)	Weight (kg)
	d	F _w	D	C	Dyn. C	Stat. C ₀		
NA4900	10	14	22	13	6880	7360	19200	0.0240
NA4900 2RS	10	14	14	22	6560	6960	11200	0.0245
NA4901	12	16	24	13	7640	8720	18400	0.0265
NA4901 2RS	12	16	14	24	6880	7600	9600	0.0275
NA4902	15	20	28	13	8240	10240	16000	0.0360
NA4902 2RS	15	20	14	28	7840	9520	7600	0.0360
NA4903	17	22	30	13	8960	11680	14400	0.0370
NA4903 2RS	17	22	14	30	8400	10720	6800	0.0395
NA4904	20	25	37	17	17040	20400	12800	0.0740
NA4904 2RS	20	25	18	37	14640	16720	6000	0.0785
NA49/22	22	28	39	17	18560	23440	11200	0.0800
NA49/22 2RS	22	28	18	39	14960	19280	5600	0.0875
NA4905	25	30	42	17	19200	25200	10400	0.0880
NA4905 2RS	25	30	18	42	16560	20480	5200	0.0925
NA49/28	28	32	45	17	19840	26800	10400	0.0980
NA49/28 2RS	28	32	18	45	17120	21840	4800	0.101
NA4906	30	35	47	17	20400	28400	8800	0.101
NA4906 2RS	30	35	18	47	17600	23200	4400	0.106
NA49/32	32	40	52	20	25200	38000	8000	0.157
NA49/32 2RS	32	40	21	52	23920	36000	4000	0.167
NA4907	35	42	55	20	25600	40000	7600	0.171
NA4907 2RS	35	42	21	55	24560	37760	3600	0.179
NA4908	40	48	62	22	34800	53200	6800	0.232
NA4908 2RS	40	48	23	62	30320	47600	3200	0.245
NA4909	45	52	68	22	36800	58400	6000	0.232
NA4909 2RS	45	52	23	68	31680	51760	2800	0.290
NA4910	50	58	72	22	38400	64000	5600	0.276
NA4910 2RS	50	58	23	72	33680	58000	2800	0.295
NA4911	55	63	80	25	46800	79600	5200	0.396
NA4911 2RS	55	63	26	80	42560	69920	2400	0.415
NA4912	60	68	85	25	49200	86400	4800	0.427
NA4912 2RS	60	68	26	85	44480	75680	2400	0.445
NA4913	65	72	90	25	50000	89600	4400	0.454
NA4913 2RS	65	72	26	90	46400	81600	2000	0.475
NA4914	70	80	100	30	68400	124800	4000	0.727
NA4914 2RS	70	80	31	100	62720	116800	2000	0.770
NA4915	75	85	105	30	69600	129600	3760	0.776
NA4915 2RS	75	85	31	105	64960	124800	1600	0.815
NA4916	80	90	110	30	72400	139200	3520	0.820
NA4916 2RS	80	90	31	110	65840	128800	1600	0.860
NA4917	85	100	120	35	89600	189600	3200	1.240
NA4917 2RS	85	100	36	120	84000	184000	1520	1.300
NA4918	90	105	125	35	92800	201600	3040	1.310

ISO	Dimensions (mm)				Basic Load Rating (N)		Limiting speed (r/min)	Weight (kg)
	d	Fw	D	C	Dyn. C	Stat. C ₀		
NA4918 2RS	90	105	36	125	86400	193600	1440	1.360
NA4919	95	110	130	35	94400	208000	2880	1.360
NA4919 2RS	95	110	36	130	89600	204000	1360	1.420
NA4920	100	115	140	40	101600	208000	2800	1.930
NA4920 2RS	100	115	41	140	109600	242400	1360	1.980
NA4922	110	125	150	40	104800	223200	2560	2.080
NA4922 2RS	110	125	41	150	114400	263200	1200	2.150
NA4924	120	135	165	45	144000	304000	2400	2.840
NA4924 2RS	120	135	46	165	145600	333600	1120	2.990
NA4926	130	150	180	50	161600	364000	2160	3.900
NA4926 2RS	130	150	51	180	168800	417600	1040	4.080
NA4928	140	160	190	50	167200	388000	2000	4.050
NA4928 2RS	140	160	51	190	174400	448000	960	4.340
NA4930	150	170	210	60	208800	488000	1920	6.380
NA4932	160	180	220	60	216000	520000	1760	6.750
NA4934	170	190	230	60	223200	552000	1680	7.110
NA4936	180	205	250	69	300000	712000	1600	10.200
NA4938	190	215	260	69	312000	756000	1520	10.700
NA4940	200	225	280	80	404000	944000	1440	15.400
NA4944	220	245	300	80	420000	1016000	1280	16.700
NA4948	240	265	320	80	432000	1080000	1200	18.000
NA4952	260	290	360	100	644000	1520000	1120	31.100
NA4956	280	310	380	100	668000	1624000	1040	33.100
NA4960	300	340	420	118	864000	2112000	960	51.400
NA4964	320	360	440	118	896000	2256000	880	54.400
NA4968	340	380	460	118	928000	2400000	880	57.300
NA4972	360	400	480	118	960000	2560000	800	60.200
NA4976	380	430	520	140	1120000	3000000	760	90.300
NA4980	400	450	540	140	1160000	3200000	720	94.400
NA4984	420	470	560	140	1200000	3400000	680	98.500
NA4988	440	490	600	160	1400000	3680000	640	131.000



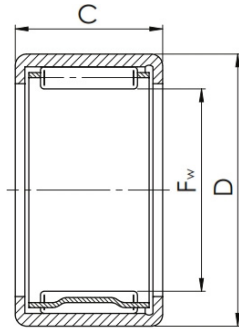
NA69



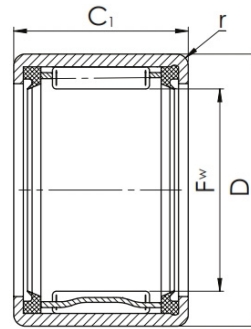
NA 69 2RS

ISO	Dimensions (mm)				Basic Load Rating (N)		Limiting speed (r/min)	Weight (kg)
	d	F _w	D	C	Dyn. C	Stat. C ₀		
NA6901	12	16	24	22	12300	16000	18400	0.046
NA6901 2RS	12	16	23	24	12720	16640	9600	0.0455
NA6902	15	20	28	23	14100	20240	16000	0.064
NA6902 2RS	15	20	24	28	15040	22080	7600	0.0625
NA6903	17	22	30	23	14560	21760	14400	0.069
NA6903 2RS	17	22	24	30	16160	24960	6800	0.0685
NA6904	20	25	37	30	29200	40400	12800	0.141
NA6904 2RS	20	25	31	37	26960	36320	6000	0.137
NA69/22	22	28	39	30	32000	46800	11200	0.154
NA69/22 2RS	22	28	31	39	27600	42400	5600	0.153
NA6905	25	30	42	30	33200	50400	10400	0.162
NA6905 2RS	25	30	31	42	32000	47840	5200	0.162
NA69/28	28	32	45	30	34400	53600	10400	0.179
NA69/28 2RS	28	32	31	45	31760	48240	4800	0.177
NA6906	30	35	47	30	34000	54000	8800	0.185
NA6906 2RS	30	35	31	47	32720	51440	4400	0.185
NA69/32	32	40	52	36	38000	65600	8000	0.286
NA69/32 2RS	32	40	37	52	41040	72080	4000	0.300
NA6907	35	42	55	36	39200	69200	7600	0.310
NA6907 2RS	35	42	37	55	42080	75520	3600	0.320
NA6908	40	48	62	40	53600	92800	6800	0.426
NA6908 2RS	40	48	41	62	52000	95200	3200	0.440
NA6909	45	52	68	40	56400	101600	6000	0.437
NA6909 2RS	45	52	41	68	54400	103200	2800	0.520
NA6910	50	58	72	40	59200	112000	5600	0.529
NA6910 2RS	50	58	41	72	57760	116000	2800	0.530
NA6911	55	63	80	45	75200	146400	5200	0.726
NA6911 2RS	55	63	46	80	72960	140000	2400	0.730
NA6912	60	68	85	45	76400	152800	4800	0.758
NA6912 2RS	60	68	46	85	76240	151200	2400	0.785
NA6913	65	72	90	45	77600	158400	4400	0.779
NA6913 2RS	65	72	46	90	79520	163200	2000	0.845
NA6914	70	80	100	54	104000	213600	4000	1.340
NA6914 2RS	70	80	55	100	100800	229600	2000	1.400
NA6915	75	85	105	54	105600	221600	3760	1.450
NA6915 2RS	75	85	55	105	104000	244000	1600	1.480
NA6916	80	90	110	54	109600	238400	3520	1.530
NA6916 2RS	80	90	55	110	108000	258400	1600	1.570
NA6917	85	100	120	63	135200	320000	3200	2.250
NA6917 2RS	85	100	64	120	136800	364800	1520	2.360

ISO	Dimensions (mm)				Basic Load Rating (N)		Limiting speed (r/min)	Weight (kg)
	d	F _w	D	C	Dyn. C	Stat. C ₀		
NA6918	90	105	125	63	140000	340000	3040	2.440
NA6918 2RS	90	105	64	125	140800	384000	1440	2.480
NA6919	95	110	130	63	141600	352000	2880	2.630
NA6919 2RS	95	110	64	130	144000	402400	1360	2.600



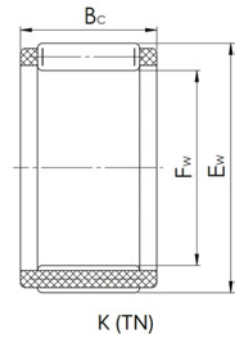
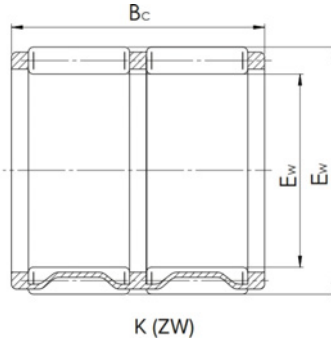
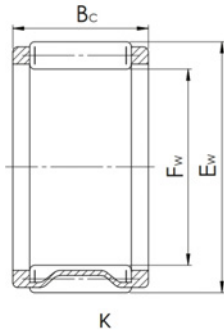
HK



HK-2RS

ISO	Dimensions (mm)			Basic Load Rating (N)		Limiting speed (r/min)	Weight (kg)
	F _w	D	C	Dyn. C	Stat. C ₀		
HK0306	3	6.5	6	984	672	36800	0.0010
HK0408	4	8	8	1424	1048	32800	0.0020
HK0509	5	9	9	1920	1592	30400	0.0020
HK0608	6	10	8	1624	1320	28000	0.0021
HK0609	6	10	9	2280	2080	28000	0.0025
HK0709	7	11	9	2480	2360	24800	0.0026
HK0808	8	12	8	2200	2080	22400	0.0027
HK0810	8	12	10	3040	3160	22400	0.0030
HK0812 2RS	8	12	12	2200	2080	16000	0.0033
HK0908	9	13	8	2840	3000	20000	0.0030
HK0910	9	13	10	3400	3720	20000	0.0040
HK0912	9	13	12	4240	5040	20000	0.0046
HK1010	10	14	10	3520	4080	18400	0.0041
HK1012	10	14	12	4400	5440	18400	0.0048
HK1014 2RS	10	14	14	3520	4080	13600	0.0046
HK1015	10	14	15	5440	7040	18400	0.0060
HK1216 2RS	12	18	16	5200	5840	11200	0.0110
HK1210	12	16	10	3960	4960	16000	0.0046
HK1212	12	18	12	5200	5840	15200	0.0090
HK1312	13	19	12	5440	6320	14400	0.0100
HK1412	14	20	12	5680	6800	12800	0.0105
HK1416 2RS	14	20	16	5680	6800	9600	0.0130
HK1512	15	21	12	6320	7520	12800	0.0110
HK1516	15	21	16	8400	11520	12800	0.0150
HK1516 2RS	15	21	16	6240	7840	8800	0.0150
HK1520 2RS	15	21	20	8400	11520	8800	0.0180
HK1612	16	22	12	6080	7760	12000	0.0120
HK1616	16	22	16	8720	12240	12000	0.0160
HK1616 2RS	16	22	16	6080	7760	8800	0.0140
HK1620 2RS	16	22	20	8720	12240	8800	0.0180
HK1712	17	23	12	6320	8240	11200	0.0120
HK1812	18	24	12	6480	8720	10400	0.0130
HK1816	18	24	16	9280	13840	10400	0.0180

ISO	Dimensions (mm)			Basic Load Rating (N)		Limiting speed (r/min)	Weight (kg)
	Fw	D	C	Dyn. C	Stat. C ₀		
HK1816 2RS	18	24	16	6480	8720	7600	0.0150
HK2010	20	26	10	5120	6560	9600	0.0120
HK2012	20	26	12	6880	9680	9600	0.0140
HK2016	20	26	16	10160	16080	9600	0.0190
HK2016 2RS	20	26	16	6880	9680	6800	0.0180
HK2020	20	26	20	12560	20800	9600	0.0240
HK2020 2RS	20	26	20	10160	16080	6800	0.0230
HK2210	22	28	10	6000	8400	8800	0.0130
HK2212	22	28	12	7280	10720	8800	0.0150
HK2216	22	28	16	10720	17680	8800	0.0210
HK2216 2RS	22	28	16	7280	10720	6400	0.0180
HK2220	22	28	20	13200	23200	8800	0.0260
HK2220 2RS	22	28	20	10120	17680	6400	0.0260
HK2512	25	32	12	8800	12160	8000	0.0200
HK2516	25	32	16	12480	19200	8000	0.0270
HK2516 2RS	25	32	16	8800	12160	5600	0.0270
HK2520	25	32	20	15920	26400	8000	0.0330
HK2520 2RS	25	32	20	12480	19200	5600	0.0310
HK2524 2RS	25	32	24	15920	26400	5600	0.0400
HK2526	25	32	26	20400	36000	8000	0.0440
HK2530 2RS	25	32	30	20400	36000	5600	0.0470
HK2816	28	35	16	13120	21200	7200	0.0290
HK2820	28	35	20	16720	28800	7200	0.0360
HK2820 2RS	28	35	20	13120	21200	4800	0.0340
HK3012	30	37	12	9680	14560	6800	0.0230
HK3016	30	37	16	13760	23200	6800	0.0310
HK3016 2RS	30	37	16	9680	14560	4800	0.0310
HK3020	30	37	20	17600	31600	6800	0.0390
HK3020 2RS	30	37	20	13760	23200	4800	0.0360
HK3024 2RS	30	37	24	17600	31600	4800	0.0440
HK3026	30	37	26	22400	43200	6800	0.0510
HK3512	35	42	12	10480	17040	6000	0.0270
HK3516	35	42	16	14960	26800	6000	0.0360
HK3516 2RS	35	42	16	10480	17040	4000	0.0320
HK3520	35	42	20	19040	36800	6000	0.0440
HK3520 2RS	35	42	20	14960	26800	4000	0.0410
HK4012	40	47	12	11200	19440	5200	0.0300
HK4016	40	47	16	16000	30800	5200	0.0390
HK4016 2RS	40	47	16	11200	19440	3600	0.0370
HK4020	40	47	20	20400	41600	5200	0.0540
HK4020 2RS	40	47	20	16000	30800	3600	0.0480
HK4512	45	52	12	11920	22000	4800	0.0330
HK4516	45	52	16	17040	34400	4800	0.0460
HK4520	45	52	20	21600	47200	4800	0.0560
HK4520 2RS	45	52	20	17040	34400	3600	0.0540
HK5020	50	58	20	24800	50400	4000	0.0700
HK5024 2RS	50	58	24	24800	50400	2880	0.0810
HK5025	50	58	25	30800	67200	4000	0.0900
HK5520	55	63	20	25200	53600	3760	0.0740
HK5528	55	63	28	35200	82400	3760	0.1050
HK6012	60	68	12	13920	25600	3520	0.0490
HK6020	60	68	20	26800	60000	3520	0.0810
HK6032	60	68	32	42400	108000	3520	0.1360



ISO	Dimensions (mm)			Basic Load Rating (N)		Limiting speed (r/min)	Weight (kg)
	F _w	E _w	B _c	Dyn. C	Stat. C ₀		
K3X5X7TN	3	5	7	1232	1032	40000	0.0003
K3X5X9TN	3	5	9	1368	1184	40000	0.0004
K3X6X7TN	3	6	7	1144	776	37600	0.0004
K4X7X7TN	4	7	7	1392	1016	34400	0.0005
K4X7X10TN	4	7	10	1864	1472	34400	0.0007
K5X8X8TN	5	8	8	1880	1536	31200	0.0007
K5X8X10TN	5	8	10	2400	2120	31200	0.0009
K6X9X8TN	6	9	8	2080	1824	29600	0.0008
K6X9X10TN	6	9	10	2680	2520	29600	0.0011
K6X10X13TN	6	10	13	3040	2480	28000	0.0019
K7X9X7TN	7	9	7	1384	1416	28000	0.0006
K7X10X8	7	10	8	2280	2120	27200	0.0017
K8X11X8	8	11	8	2480	2400	25600	0.0018
K8X11X10	8	11	10	3160	3280	25600	0.0020
K8X11X13	8	11	13	4080	4640	25600	0.0032
K8X12X10	8	12	10	4000	3760	25600	0.0035
K9X12X10	9	12	10	3600	4000	24800	0.0029
K9X12X13	9	12	13	4720	5680	24800	0.0038
K10X13X10	10	13	10	3800	4400	23200	0.0032
K10X13X13	10	13	13	4960	6240	23200	0.0041
K10X13X16	10	13	16	5680	7440	23200	0.0051
K10X14X10	10	14	10	4640	4800	23200	0.0041
K10X16X12	10	16	12	6480	5760	22400	0.0081
K12X15X10	12	15	10	3920	4880	21600	0.0035
K12X15X13	12	15	13	5120	6800	21600	0.0045
K12X16X13	12	16	13	6400	7520	21600	0.0063
K12X17X13	12	17	13	7680	8320	20800	0.0081
K12X18X12	12	18	12	8000	7920	20800	0.0093
K14X18X10	14	18	10	5680	6800	20000	0.0040
K14X18X13	14	18	13	6560	8080	20000	0.0065
K14X18X15	14	18	15	7600	9840	20000	0.0083
K14X18X17	14	18	17	8640	11520	20000	0.0080
K14X20X12	14	20	12	8240	8480	19200	0.0085
K15X18X17	15	18	17	6400	9680	20000	0.0072
K15X19X10	15	19	10	6000	7360	19200	0.0050
K15X19X13	15	19	13	6800	8720	19200	0.0070
K15X19X17	15	19	17	9040	12480	19200	0.0095
K15X20X13	15	20	13	7920	9200	19200	0.0070
K15X21X15	15	21	15	11440	13120	19200	0.0110
K15X21X21	15	21	21	15520	19440	19200	0.0170
K16X20X10	16	20	10	6240	7920	19200	0.0055
K16X20X13	16	20	13	7120	9440	19200	0.0075
K16X20X17	16	20	17	9360	13440	19200	0.0100

ISO	Dimensions (mm)			Basic Load Rating (N)		Limiting speed (r/min)	Weight (kg)
	Fw	Ew	Bc	Dyn. C	Stat. C ₀		
K16X22X12	16	22	12	9200	10000	18400	0.0100
K16X22X16	16	22	16	11840	14000	18400	0.0120
K16X22X20	16	22	20	14640	18240	18400	0.0170
K16X24X20	16	24	20	17120	18800	17600	0.0220
K17X21X10	17	21	10	6480	8480	18400	0.0055
K17X21X13	17	21	13	8320	11680	18400	0.0065
K17X21X17	17	21	17	9760	14320	18400	0.0095
K18X22X10	18	22	10	6720	9040	17600	0.0060
K18X22X13	18	22	13	7360	10160	17600	0.0080
K18X22X17	18	22	17	9680	14400	17600	0.0110
K18X24X12	18	24	12	10240	11920	17600	0.0120
K18X24X13	18	24	13	10480	12240	17600	0.0130
K18X25X22	18	25	22	18480	23200	17600	0.0230
K19X23X13	19	23	13	7600	10800	17600	0.0080
K19X23X17	19	23	17	10000	15360	17600	0.0100
K20X24X10	20	24	10	7120	10080	16800	0.0065
K20X24X13	20	24	13	7840	11440	16800	0.0090
K20X24X17	20	24	17	10320	16320	16800	0.0120
K20X26X12	20	26	12	10720	12960	16800	0.0110
K20X26X13	20	26	13	11520	14320	16800	0.0120
K20X26X17	20	26	17	15360	20800	16800	0.0160
K20X26X20	20	26	20	16880	23200	16800	0.0190
K20X28X16	20	28	16	15840	17920	16000	0.0200
K20X28X20	20	28	20	19120	22800	16000	0.0270
K20X28X25	20	28	25	24400	31200	16000	0.0320
K20X30X30	20	30	30	28400	33200	16000	0.0490
K21X25X13	21	25	13	8080	12080	16800	0.0090
K22X26X10	22	26	10	7280	10720	16000	0.0075
K22X26X13	22	26	13	8320	12720	16000	0.0095
K22X26X17	22	26	17	10960	18160	16000	0.0120
K22X28X17	22	28	17	15520	21600	16000	0.0180
K22X29X16	22	29	16	16000	20400	15200	0.0160
K22X30X15	22	30	15	16080	18720	15200	0.0260
K22X32X24	22	32	24	27200	32000	14400	0.0430
K23X35X16	23	35	16	19600	19120	13600	0.0450
K24X28X10	24	28	10	7680	11840	15200	0.0085
K24X28X13	24	28	13	8800	14080	15200	0.0100
K24X28X17	24	28	17	11600	20000	15200	0.0130
K24X30X17	24	30	17	15600	22000	14400	0.0190
K24X30X31ZW	24	30	31	22000	34800	14400	0.0320
K25X29X10	25	29	10	7920	12320	14400	0.0085
K25X29X13	25	29	13	9040	14720	14400	0.0110
K25X29X17	25	29	17	11920	20800	14400	0.0140
K25X30X17	25	30	17	14960	24000	14000	0.0160
K25X30X20	25	30	20	17360	29200	14400	0.0180
K25X30X26ZW	25	30	26	17120	28400	14400	0.0190
K25X31X17	25	31	17	15680	22800	14400	0.0190
K25X31X21	25	31	21	19760	30400	14400	0.0200
K25X32X16	25	32	16	16640	22000	13600	0.0210
K25X33X20	25	33	20	22800	30400	13600	0.0330
K25X33X24	25	33	24	27200	37600	13600	0.0390
K25X35X30	25	35	30	37600	49600	12800	0.0650
K26X30X13	26	30	13	9280	15360	14400	0.0110
K26X30X17	26	30	17	12160	22000	14400	0.0150
K26X30X22ZW	26	30	22	12560	22800	14400	0.0120
K28X33X13	28	33	13	12240	19360	12800	0.0130
K28X33X17	28	33	17	15760	26800	12800	0.0170
K28X34X17	28	34	17	17440	26800	12800	0.0240
K28X35X16	28	35	16	17200	23600	12800	0.0240

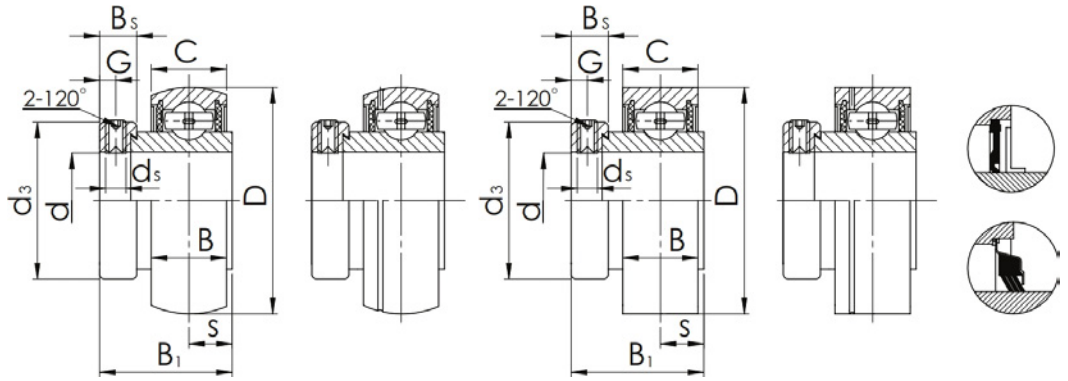
ISO	Dimensions (mm)			Basic Load Rating (N)		Limiting speed (r/min)	Weight (kg)
	Fw	Ew	Bc	Dyn. C	Stat. C ₀		
K28X35X18	28	35	18	19200	27200	12800	0.0270
K28X40X25	28	40	25	36400	44000	11200	0.0700
K30X34X13	30	34	13	9840	17360	12000	0.0140
K30X35X13	30	35	13	12480	20400	12000	0.0140
K30X35X17	30	35	17	15680	27200	12000	0.0190
K30X35X27	30	35	27	24400	47200	12000	0.0300
K30X37X16	30	37	16	18480	26800	12000	0.0270
K30X37X18	30	37	18	20800	30800	12000	0.0300
K30X40X18	30	40	18	25600	32000	11200	0.0480
K30X40X30	30	40	30	39200	55200	12000	0.0730
K32X37X13	32	37	13	12400	20400	11200	0.0180
K32X37X17	32	37	17	15920	28400	11200	0.0190
K32X37X27	32	37	27	24000	48000	11200	0.0300
K32X38X20	32	38	20	21200	36000	11200	0.0300
K32X39X16	32	39	16	19040	28400	11200	0.0370
K32X39X18	32	39	18	21200	32800	11200	0.0310
K32X40X25	32	40	25	30000	46400	11200	0.0490
K32X40X42ZW	32	40	42	40000	67200	11200	0.0970
K32X46X32	32	46	32	52800	67200	10400	0.1190
K35X40X13	35	40	13	12960	22400	10400	0.0190
K35X40X17	35	40	17	16640	30800	10400	0.0210
K35X40X25	35	40	25	23600	48000	10400	0.0310
K35X40X27	35	40	27	20000	38800	10400	0.0410
K35X42X16	35	42	16	19520	30000	10400	0.0340
K35X42X18	35	42	18	22000	34400	10400	0.0340
K35X42X20	35	42	20	24000	39200	10400	0.0370
K35X42X30	35	42	30	31200	54400	10400	0.0670
K35X45X20	35	45	20	29600	40000	9600	0.0560
K35X45X30	35	45	30	42400	63200	9600	0.0800
K37X42X17	37	42	17	17920	34400	9600	0.0220
K38X43X17	38	43	17	16400	30800	9600	0.0290
K38X43X27	38	43	27	25200	54400	9600	0.0430
K38X46X20	38	46	20	28400	45600	9600	0.0470
K38X46X32	38	46	32	44000	79200	9600	0.0760
K39X44X26ZW	39	44	26	22000	44800	9600	0.0450
K40X45X13	40	45	13	14080	26000	9600	0.0220
K40X45X17	40	45	17	17120	33200	9600	0.0310
K40X45X27	40	45	27	26400	58400	9600	0.0460
K40X47X18	40	47	18	23600	40000	8800	0.0390
K40X47X20	40	47	20	26000	45600	8800	0.0420
K40X48X20	40	48	20	28800	47200	8800	0.0490
K42X47X13	42	47	13	14240	26800	8800	0.0180
K42X47X17	42	47	17	17360	34400	8800	0.0320
K42X47X30ZW	42	47	30	26800	60800	8800	0.0540
K42X50X20	42	50	20	28000	45600	8800	0.0530
K43X48X17	43	48	17	17280	34400	8800	0.0300
K43X48X27	43	48	27	26800	60000	8800	0.0500
K45X50X17	45	50	17	18000	36800	8000	0.0340
K45X50X27	45	50	27	27600	64000	8000	0.0510
K45X52X18	45	52	18	25200	45600	8000	0.0420
K45X53X20	45	53	20	31200	53600	8000	0.0550
K45X53X21	45	53	21	30800	53600	8000	0.0600
K45X53X28	45	53	28	41600	78400	8000	0.0810
K45X59X18	45	59	18	35200	43200	7600	0.1050
K45X59X32	45	59	32	58400	82400	7600	0.1480
K47X52X17	47	52	17	18640	39200	8000	0.0350
K47X52X27	47	52	27	28000	66400	8000	0.0510
K50X55X13.5	50	55	13.5	14560	29200	7600	0.0300
K50X55X17	50	55	17	17680	37600	7600	0.0350

ISO	Dimensions (mm)			Basic Load Rating (N)		Limiting speed (r/min)	Weight (kg)
	Fw	Ew	Bc	Dyn. C	Stat. C ₀		
K50X55X20	50	55	20	21200	48000	7600	0.0430
K50X55X30	50	55	30	31200	77600	7600	0.0650
K50X57X18	50	57	18	26800	50400	7200	0.0470
K50X58X20	50	58	20	28400	49600	7200	0.0750
K50X58X25	50	58	25	35200	64800	7200	0.0900
K52X57X12	52	57	12	14400	29200	7200	0.0240
K55X60X20	55	60	20	22800	52800	6800	0.0400
K55X60X27	55	60	27	30400	77600	6800	0.0600
K55X60X30	55	60	30	32800	86400	6800	0.0710
K55X62X18	55	62	18	28400	56000	6800	0.0520
K55X63X20	55	63	20	32000	59200	6800	0.0670
K55X63X25	55	63	25	40800	80800	6800	0.0800
K55X63X32	55	63	32	49600	104000	6800	0.1020
K58X65X18	58	65	18	28000	56000	6400	0.0520
K58X65X36ZW	58	65	36	85600	107200	6400	0.1270
K60X65X20	60	65	20	23600	57600	6400	0.0520
K60X65X30	60	65	30	34000	92800	6400	0.0770
K60X66X33ZW	60	66	33	36800	89600	6400	0.1040
K60X66X40ZW	60	66	40	46400	120800	6400	0.1160
K60X68X20	60	68	20	34800	68000	6000	0.0710
K60X68X23	60	68	23	39600	80800	6000	0.0940
K60X68X25	60	68	25	42400	88800	6000	0.0890
K60X68X30ZW	60	68	30	35600	70400	6000	0.1290
K60X75X42	60	75	42	94400	159200	6000	0.2400
K62X70X40ZW	62	70	40	52800	116800	6000	0.1740
K64X70X16	64	70	16	22400	48000	6000	0.0530
K65X70X20	65	70	20	24400	61600	6000	0.0560
K65X70X30	65	70	30	35200	99200	6000	0.0830
K65X73X23	65	73	23	36800	75200	5600	0.1080
K65X73X30	65	73	30	45600	98400	5600	0.1410
K68X74X20	68	74	20	28400	67200	5600	0.0710
K68X74X30	68	74	30	37200	94400	5600	0.1000
K68X74X35ZW	68	74	35	38800	100000	5600	0.1200
K70X76X20	70	76	20	28800	68800	5200	0.0710
K70X76X30	70	76	30	41600	111200	5200	0.1100
K70X78X30	70	78	30	48000	108000	5200	0.1480
K72X80X20	72	80	20	33200	68000	5200	0.0980
K73X79X20	73	79	20	29600	72000	5200	0.0750
K75X81X20	75	81	20	30000	75200	5200	0.0790
K75X81X30	75	81	30	41600	114400	5200	0.1140
K75X83X23	75	83	23	40000	87200	4800	0.1240
K75X83X30	75	83	30	49600	114400	4800	0.1470
K75X83X35ZW	75	83	35	50400	117600	4800	0.1820
K75X83X40ZW	75	83	40	58400	141600	4800	0.2110
K80X86X20	80	86	20	30800	78400	4800	0.0600
K80X88X30	80	88	30	56800	140800	4800	0.1380
K80X88X40ZW	80	88	40	60800	153600	4800	0.2270
K80X88X46ZW	80	88	46	70400	184800	4800	0.2600
K85X92X20	85	92	20	35600	86400	4400	0.1020
K90X97X20	90	97	20	36000	90400	4000	0.1090
K90X98X27	90	98	27	48800	120000	4000	0.1500
K90X98X30	90	98	30	54400	137600	4000	0.1720
K95X103X30	95	103	30	55200	144000	3920	0.1650
K95X103X40ZW	95	103	40	66400	182400	3920	0.2660
K100X107X21	100	107	21	38400	101600	3760	0.1200
K100X108X27	100	108	27	45600	114400	3760	0.1850
K100X108X30	100	108	30	56800	150400	3760	0.1800
K105X112X21	105	112	21	38000	101600	3600	0.1290
K110X117X24	110	117	24	44800	126400	3440	0.1720

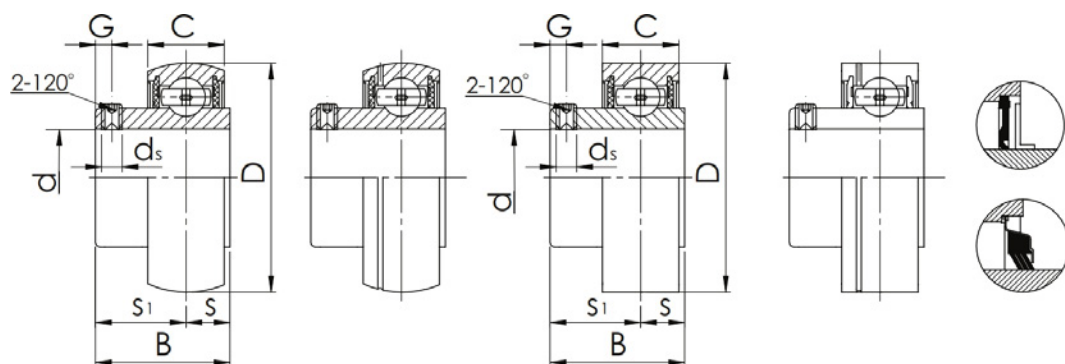
ISO	Dimensions (mm)			Basic Load Rating (N)		Limiting speed (r/min)	Weight (kg)
	Fw	Ew	Bc	Dyn. C	Stat. C ₀		
K110X118X30	110	118	30	62400	175200	3440	0.2170
K115X123X27	115	123	27	50400	136000	3280	0.2000
K120X127X24	120	127	24	47200	139200	3200	0.1650
K125X133X35	125	133	35	68800	208000	3040	0.2750
K130X137X24	130	137	24	48800	148800	2960	0.1700
K135X143X35	135	143	35	72800	232000	2800	0.3000
K145X153X26	145	153	26	59200	204000	2640	0.2620
K150X160X46	150	160	46	117600	376000	2560	0.5700
K155X163X26	155	163	26	60000	188800	2480	0.2650
K160X170X46	160	170	46	121600	408000	2400	0.5500
K165X173X26	165	173	26	64800	212000	2320	0.3200
K175X183X32	175	183	32	79200	280000	2160	0.4000
K185X195X37	185	195	37	102400	340000	2080	0.6070
K195X205X37	195	205	37	106400	360000	2000	0.6200
K210X220X42	210	220	42	123200	448000	1840	0.7400
K220X230X42	220	230	42	126400	472000	1760	0.7900
K240X250X42	240	250	42	131200	504000	1600	0.8500
K265X280X50	265	280	50	204000	688000	1440	1.8100

**Features**

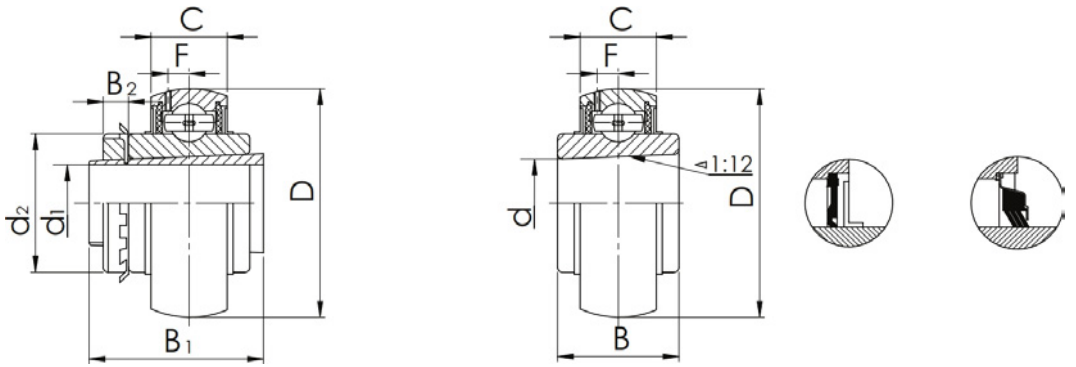
Insert bearings are used for mounting on shafts without the need for shoulders or adapters. The bearing is locked in place through setscrews or a locking collar. UC Style Insert Bearings have an inner ring that extends on both sides of the bearing and SB Style Insert Bearings extend on one side. Both designs however are intended to provide extra shaft support. Sometimes insert bearings are simply standard radial bearings that fit into a housing and these bearings may be purchased as stand-alone products to use as replacements. While standard radial ball bearings must be pressed into a machined shaft, using special installation tools, insert bearings can be slip fit directly onto the shaft.



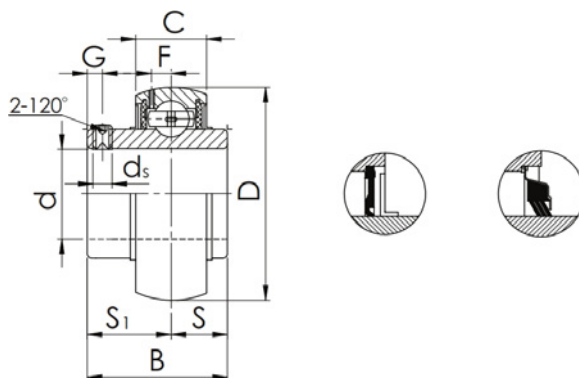
ISO	Dimensions (mm)										Basic Load Rating (N)		Weight (kg)
	d	D	B1	B	C	S	ds	G	Bs	d3	Dyn. C	Stat. C ₀	
SA201	12	40	28.6	19.1	12	6.5	M6x1	4.8	13.5	28.6	7360	4480	0.120
SA202	15	40	28.6	19.1	12	6.5	M6x1	4.8	13.5	28.6	7360	4480	0.100
SA203	17	40	28.6	19.1	12	6.5	M6x1	4.8	13.5	28.6	7360	4480	0.090
SA204	20	47	31	21.5	14	7.5	M6x1	4.8	13.5	33.3	9880	6200	0.160
SA205	25	52	31	21.5	15	7.5	M6x1	4.8	13.5	38.1	10780	6980	0.200
SA206	30	62	35.7	23.8	16	9	M8x1	6	15.9	44.5	14970	10040	0.300
SA207	35	72	38.9	25.4	17	9.5	M8x1	6.8	17.5	55.6	19750	13670	0.420
SA208	40	80	43.7	30.2	18	11	M8x1	6.8	18.3	60.3	22710	15940	0.600
SA209	45	85	43.7	30.2	19	11	M8x1	6.8	18.3	63.5	24360	17710	0.760
SA210	50	90	43.7	30.2	20	11	M8x1	6.8	18.3	69.9	26980	19840	0.910
SA211	55	100	48.4	32.5	21	12	M10x1	8	20.7	76.2	33370	25110	1.260
SA212	60	110	53.1	37.2	22	13.5	M10x1	8	22.3	84.2	36740	27970	1.700




ISO	Dimensions (mm)									Basic Load Rating (N)		Weight (kg)
	d	D	B	C	S	S1	ds	G	Dyn. C	Stat. C ₀		
SB201	12	40	22	12	6	16	M5x0,8	4.5	7360	4480	0.100	
SB202	15	40	22	12	6	16	M5x0,8	4.5	7360	4480	0.100	
SB203	17	40	22	12	6	16	M5x0,8	4.5	7360	4480	0.090	
SB204	20	47	25	14	7	18	M6x1	4.5	9880	6200	0.130	
SB205	25	52	27	15	7.5	19.5	M6x1	5.5	10780	6980	0.160	
SB206	30	62	30	16	8	22	M6x1	6	14970	10040	0.250	
SB207	35	72	32	17	8.5	23.5	M8x1	6.5	19750	13670	0.380	
SB208	40	80	34	18	9	25	M8x1	7	22710	15940	0.600	
SB209	45	85	41.2	19	10.2	31	M8x1	8.2	24360	17710	0.800	
SB210	50	90	43.5	20	10.9	32.6	M10x1	9.2	26980	19840	0.800	
SB211	55	100	45.3	21	11.8	33.5	M10x1	9.8	33370	25110	1.100	
SB212	60	110	53.7	22	14.9	38.8	M10x1	9.8	36740	27970	1.300	



ISO	SLEEVE NO.	Dimensions (mm)									Basic Load Rating (N)		Weight (kg)
		d	D	B	C	d1	B1	B2	d2	F	Dyn. C	Stat. C ₀	
UK205	H2305	25	52	23	17	20	35	8	38	3.9	10780	6980	0.250
UK206	H2306	30	62	26	19	25	38	8	45	5.0	14970	10040	0.360
UK207	H2307	35	72	29	20	30	43	9	52	5.7	19750	13670	0.570
UK208	H2308	40	80	31	21	35	46	10	58	6.2	22710	15940	0.740
UK209	H2309	45	85	31	22	40	50	11	65	6.4	24360	17710	0.830
UK210	H2310	50	90	32	24	45	55	12	70	6.5	26980	19840	0.970
UK211	H2311	55	100	35	25	50	59	12	75	7.0	33370	25110	1.260
UK212	H2312	60	110	38	27	55	62	13	80	7.6	36740	27970	1.590
UK213	H2313	65	120	40	28	60	65	14	85	8.5	44010	34180	1.760
UK215	H2315	75	130	44	30	65	73	15	98	9.2	50850	41260	2.320
UK217	H2317	85	150	46	34	75	82	18	110	10.2	64010	53280	3.880
UK218	H2318	90	160	47	36	80	86	18	120	11.2	73830	60760	4.740

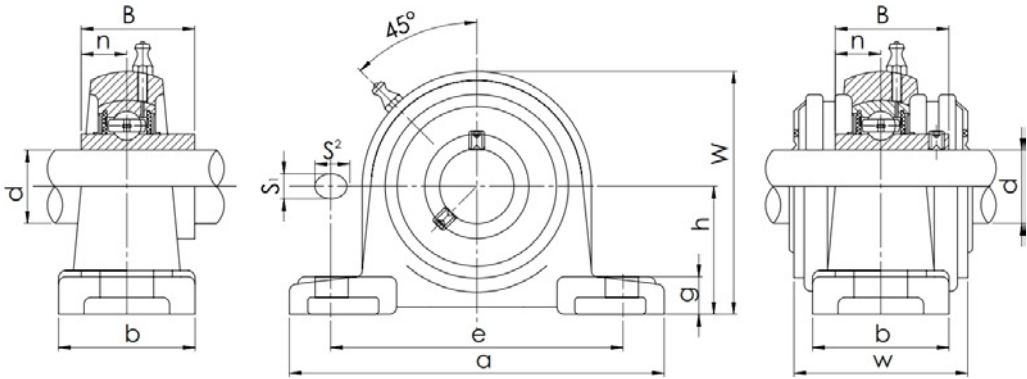


ISO	Dimensions (mm)									Basic Load Rating (N)		Weight (kg)
	d	D	B	C	S	S1	G	ds	F	Dyn. C	Stat. C ₀	
UC201	12	47	31	17	12.7	18.3	4.8	M6x1	3.7	9880	6200	0.200
UC202	15	47	31	17	12.7	18.3	4.8	M6x1	3.7	9880	6200	0.190
UC203	17	47	31	17	12.7	18.3	4.8	M6x1	3.7	9880	6200	0.180
UC204	20	47	31	17	12.7	18.3	4.8	M6x1	3.7	9880	6200	0.160
UC205	25	52	34.1	17	14.3	19.8	5	M6x1	3.9	10780	6980	0.200
UC206	30	62	38.1	19	15.9	22.2	5	M6x1	5.0	14970	10040	0.320
UC207	35	72	42.9	20	17.5	25.4	7	M8x1	5.7	19750	13670	0.480
UC208	40	80	49.2	21	19	30.2	8	M8x1	6.2	22710	15940	0.640
UC209	45	85	49.2	22	19	30.2	8	M8x1	6.4	24360	17710	0.680
UC210	50	90	51.6	24	19	32.6	10	M10x1	6.5	26980	19840	0.800
UC211	55	100	55.6	25	22.2	33.4	10	M10x1	7.0	33370	25110	1.110
UC212	60	110	65.1	27	25.4	39.7	10	M10x1	7.6	36740	27970	1.540
UC213	65	120	65.1	28	25.4	39.7	10	M10x1	8.5	44010	34180	1.850
UC214	70	125	74.6	29	30.2	44.4	12	M12x1,5	8.9	46790	37590	2.050
UC215	75	130	77.8	30	33.3	44.5	12	M12x1,5	9.2	50850	41260	2.210
UC216	80	140	82.6	32	33.3	49.3	12	M12x1,5	9.5	55040	45090	2.800
UC217	85	150	85.7	34	34.1	51.6	12	M12x1,5	10.2	64010	53280	3.460
UC218	90	160	96	36	39.7	56.3	12	M12x1,5	11.2	73830	60760	4.360
UC305	25	62	38	20	15	23	6	M6x1	5.4	17220	11930	0.350
UC306	30	72	43	23	17	26	6	M6x1	5.7	20770	14170	0.560
UC307	35	80	48	25	19	29	8	M8x1	6.2	25660	17920	0.710
UC308	40	90	52	27	19	33	10	M10x1	7.0	31350	22380	0.960
UC309	45	100	57	30	22	35	10	M10x1	7.8	40660	30000	1.280
UC310	50	110	61	32	22	39	12	M12x1,5	8.5	47580	35710	1.650
UC311	55	120	66	34	25	41	12	M12x1,5	9.2	55050	41910	2.070
UC312	60	130	71	36	26	45	12	M12x1,5	9.8	62880	48600	2.600
UC313	65	140	75	38	30	45	12	M12x1,5	10.5	72210	56680	3.250
UC314	70	150	78	40	33	45	12	M12x1,5	11.1	80100	63480	3.980
UC315	75	160	82	42	32	50	14	M14x1,5	11.8	87250	71670	4.720
UC316	80	170	86	44	34	52	14	M14x1,5	12.5	94570	80350	5.550
UC317	85	180	96	46	40	56	16	M16x1,5	15.0	104100	91300	6.700
UC318	90	190	96	48	40	56	16	M16x1,5	15.9	113000	103000	7.600
UC319	95	200	103	50	41	62	16	M16x1,5	16.7	123000	116000	8.750
UC320	100	215	108	54	42	66	18	M18x1,5	18.0	143000	128000	10.28
UC321	105	225	112	56	44	68	18	M18x1,5	19.0	187000	163000	12.30
UC322	110	240	117	60	46	71	18	M18x1,5	21.0	209000	183000	14.50
UC324	120	260	126	64	51	75	18	M18x1,5	22.0	211000	184000	18.70
UC326	130	280	135	68	54	81	20	M20x1,5	23.0	234000	204000	23.30
UC328	140	300	145	73	59	86	20	M20x1,5	25.0	260000	227000	28.90

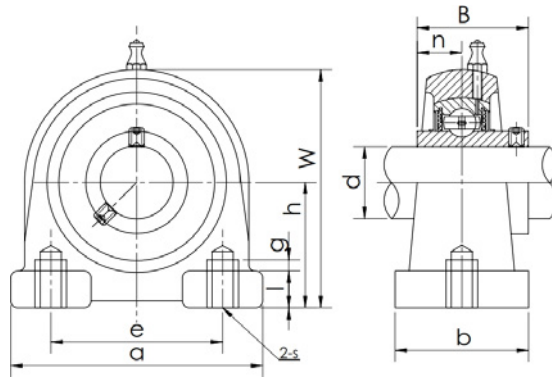
F		P 2 series	
FA		P 3 series	
FC		PA	
FL		T	

Features

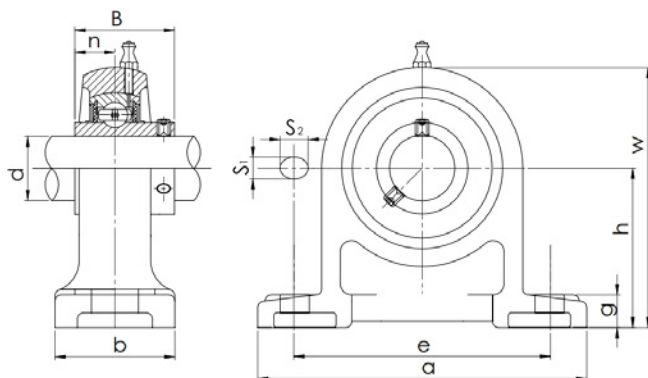
Cast-iron bearing housings serve as elements of the so called bearing units. These units are formed together with all kinds of insert ball bearings. Bearing housings can be divided into three types: P, F and T. P-type housings have fixing bores pointing out at right angle to the shaft axis, and they are commonly called “standing” bearing housings, whereas in the PA-version bores are made in the housing itself and in the A-type they are located in the housing’s flanges. The fixing bores of F-type bearing housings are arranged parallel to the shaft axis. Square-shaped F-type has four bores, FL-type shaped as an extended ellipse has two fixing bores and the circular FC-type bearing housing has four fixing bores. The most specific features has the T-type bearing housing, called a tension-fixing housing. T-shape and the ability of adjusting the tension through a special fixing are the most distinguishing features of this bearing housing. All housings are made of modified green cast iron and equipped with a valve delivering grease, whereas one shall pay special attention to the proper placement of the lubricating groove and bore in the mounted bearing. The designation structure of bearing units’ symbols the system of creating designations for ready-to-use bearing units bases on the rule of combining the symbols of individual parts of the bearing housing and bearing itself. CRAFT bearing housings can be filled with 2 types of insert bearing UC and UK.



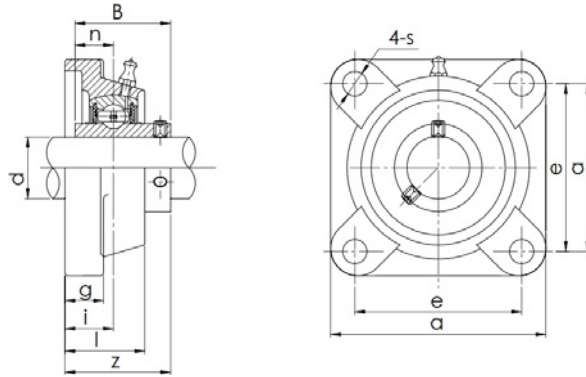
ISO	Dimensions (mm)											Bolt Size	Bearing No.	Housing No.	Weight (kg)
	d	h	a	e	b	s1	s2	g	w	B	n				
UCP201	12	30.2	127	95	38	13	19	14	62	31	12.7	M10	UC201	P201	0.69
UCP202	15	30.2	127	95	38	13	19	14	62	31	12.7	M10	UC202	P202	0.69
UCP203	17	30.2	127	95	38	13	19	14	62	31	12.7	M10	UC203	P203	0.68
UCP204	20	33.3	127	95	38	13	19	14	65	31	12.7	M10	UC204	P204	0.66
UCP205	25	36.5	140	105	38	13	19	15	71	34.1	14.3	M10	UC205	P205	0.81
UCP206	30	42.9	165	121	48	17	20	17	84	38.1	15.9	M14	UC206	P206	1.24
UCP207	35	47.6	167	127	48	17	20	18	93	42.9	17.5	M14	UC207	P207	1.58
UCP208	40	49.2	184	137	54	17	20	18	100	49.2	19	M14	UC208	P208	1.89
UCP209	45	54	190	146	54	17	20	20	106	49.2	19	M14	UC209	P209	2.14
UCP210	50	57.2	206	159	60	20	23	21	113	51.6	19	M16	UC210	P210	2.66
UCP211	55	63.5	219	171	60	20	23	23	125	55.6	22.2	M16	UC211	P211	3.31
UCP212	60	69.8	241	184	70	20	23	25	138	65.1	25.4	M16	UC212	P212	4.90
UCP213	65	76.2	265	203	70	25	28	27	150	65.1	25.4	M20	UC213	P213	5.15
UCP214	70	79.4	266	210	72	25	28	27	156	74.6	30.2	M20	UC214	P214	6.20
UCP215	75	82.6	275	217	74	25	28	28	162	77.8	33.3	M20	UC215	P215	7.16
UCP216	80	88.9	292	232	78	25	28	30	174	82.6	33.2	M20	UC216	P216	8.10
UCP217	85	95.2	310	247	83	25	28	32	185	85.7	34.1	M20	UC217	P217	9.81
UCP218	90	101.6	327	262	88	27	30	33	198	96	39.7	M22	UC218	P218	11.96
UCP305	25	45	175	132	45	17	20	15	85	38	38	M14	UC305	P305	1.40
UCP306	30	50	180	140	50	17	20	18	95	43	17	M14	UC306	P306	1.80
UCP307	35	56	210	160	56	17	25	20	106	48	19	M14	UC307	P307	2.80
UCP308	40	60	220	170	60	17	27	22	116	52	19	M14	UC308	P308	3.00
UCP309	45	67	245	190	67	20	30	24	129	57	22	M16	UC309	P309	4.10
UCP310	50	75	275	212	75	20	35	27	143	61	22	M16	UC310	P310	5.80
UCP311	55	80	310	236	80	20	38	30	154	66	25	M16	UC311	P311	7.40
UCP312	60	85	330	250	85	25	38	32	165	71	26	M20	UC312	P312	9.40
UCP313	65	90	340	260	90	25	38	33	176	75	30	M20	UC313	P313	10.00
UCP314	70	95	360	280	90	27	40	35	187	78	33	M22	UC314	P314	12.00
UCP315	75	100	380	290	100	27	40	35	198	82	32	M22	UC315	P315	14.00
UCP316	80	106	400	300	110	27	40	40	210	86	34	M22	UC316	P316	18.00
UCP317	85	112	420	320	110	33	45	40	220	96	40	M27	UC317	P317	20.00
UCP318	90	118	430	330	110	33	45	45	235	96	40	M27	UC318	P318	24.00
UCP319	95	125	470	360	120	36	50	45	250	103	41	M30	UC319	P319	29.00
UCP320	100	140	490	380	120	36	50	50	275	108	42	M30	UC320	P320	34.00
UCP321	105	140	490	380	120	36	50	50	280	112	44	M30	UC321	P321	35.00
UCP322	110	150	520	400	140	40	55	55	300	117	46	M33	UC322	P322	42.00
UCP324	120	160	570	450	140	40	65	55	325	126	51	M33	UC324	P324	51.00
UCP326	130	180	600	480	140	40	75	55	355	135	54	M33	UC326	P326	65.00
UCP328	140	200	620	500	140	40	75	55	390	145	59	M33	UC328	P328	82.00



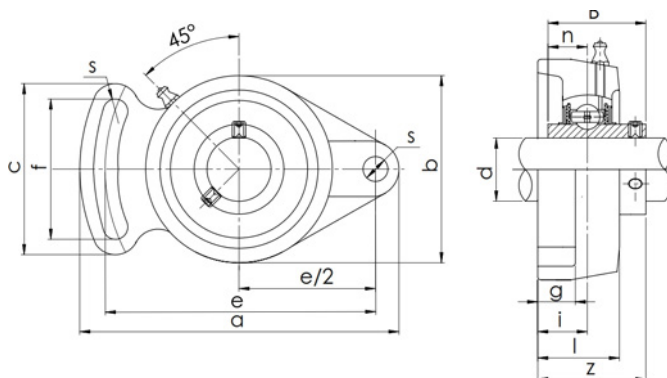
ISO	Dimensions (mm)											Bolt Size	Bearing No.	Housing No.	Weight (kg)
	d	h	a	e	b	S	g	l	w	B	n				
UCPA201	12	30.2	76	52	40	M10	15	11	62	31	12.7	M10	UC201	PA204	0.60
UCPA202	15	30.2	76	52	40	M10	15	11	62	31	12.7	M10	UC202	PA204	0.59
UCPA203	17	30.2	76	52	40	M10	15	11	62	31	12.7	M10	UC203	PA204	0.58
UCPA204	20	30.2	76	52	40	M10	15	11	62	31	12.7	M10	UC204	PA204	0.56
UCPA205	25	36.5	84	56	38	M10	15	12	72	34.1	14.3	M10	UC205	PA205	0.83
UCPA206	30	42.9	94	66	50	M14	18	12	84	38.1	15.9	M14	UC206	PA206	1.12
UCPA207	35	47.6	110	80	55	M14	20	13	95	42.9	17.5	M14	UC207	PA207	1.48
UCPA208	40	49.2	116	84	58	M14	20	13	100	49.2	19	M14	UC208	PA208	1.89
UCPA209	45	54.2	120	90	60	M14	25	13	108	49.2	19	M14	UC209	PA209	1.98
UCPA210	50	57.2	130	94	64	M16	25	14	116	51.6	19	M16	UC210	PA210	2.16
UCPA211	55	63.5	140	104	66	M16	25	14	125	55.6	22.2	M16	UC211	PA211	3.26
UCPA212	60	69.9	150	114	68	M16	25	15	138	65.1	25.4	M16	UC212	PA212	4.19
UCPA213	65	76.2	160	124	70	M16	25	15	150	65.1	25.4	M16	UC213	PA213	5.13



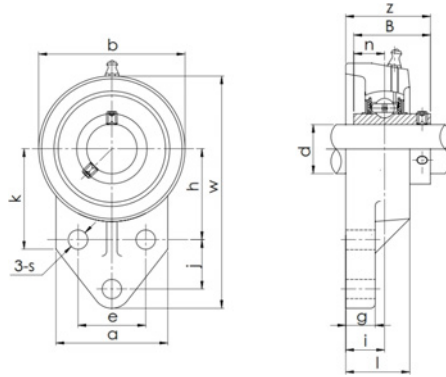
ISO	Dimensions (mm)											Bolt Size	Bearing No.	Housing No.	Weight (kg)
	d	h	a	e	b	S1	S2	g	w	B	n				
UCPH201	12	70	127	95	40	13	19	15	101	31.0	12.7	M10	UC201	PH204	0.900
UCPH202	15	70	127	95	40	13	19	15	101	31.0	12.7	M10	UC202	PH204	0.900
UCPH203	17	70	127	95	40	13	19	15	101	31.0	12.7	M10	UC203	PH204	0.800
UCPH204	20	70	127	95	40	13	19	15	101	31.0	12.7	M10	UC204	PH204	0.970
UCPH205	25	80	140	105	50	13	19	16	114	34.1	14.3	M10	UC205	PH205	1.010
UCPH206	30	90	161	121	50	17	21	17	130	38.1	15.9	M14	UC206	PH206	1.470
UCPH207	35	95	166	127	60	17	21	18	140	42.9	17.5	M14	UC207	PH207	1.910
UCPH208	40	100	178	137	70	17	21	19	150	49.2	19.0	M14	UC208	PH208	2.520
UCPH209	45	105	189	146	70	17	21	20	158	49.2	19.0	M16	UC209	PH209	2.720
UCPH210	50	110	205	159	70	20	23	21	165	51.6	19.0	M16	UC210	PH210	3.100



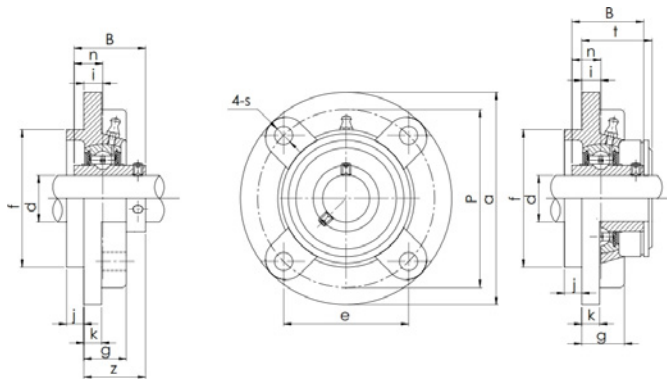
ISO	Dimensions (mm)										Bolt Size	Bearing No.	Housing No.	Weight (kg)
	d	a	e	i	g	l	s	z	B	n				
UCF201	12	86	64	15	12	25.5	12	33.3	31	12.7	M10	UC201	F204	0.60
UCF202	15	86	64	15	12	25.5	12	33.3	31	12.7	M10	UC202	F204	0.59
UCF203	17	86	64	15	12	25.5	12	33.3	31	12.7	M10	UC203	F204	0.58
UCF204	20	86	64	15	12	25.5	12	33.3	31	12.7	M10	UC204	F204	0.56
UCF205	25	95	70	16	14	27	12	35.8	34.1	14.3	M10	UC205	F205	0.80
UCF206	30	108	83	18	14	31	12	40.2	38.1	15.9	M10	UC206	F206	1.12
UCF207	35	117	92	19	16	34	14	44.4	42.9	17.5	M12	UC207	F207	1.46
UCF208	40	130	102	21	16	36	16	51.2	49.2	19	M14	UC208	F208	1.84
UCF209	45	137	105	22	18	38	16	52.2	49.2	19	M14	UC209	F209	2.15
UCF210	50	143	111	22	18	40	16	54.6	51.6	19	M14	UC210	F210	2.42
UCF211	55	162	130	25	20	43	19	58.4	55.6	22.2	M16	UC211	F211	3.31
UCF212	60	175	143	29	20	48	19	68.7	65.1	25.4	M16	UC212	F212	4.28
UCF213	65	187	149	30	22	50	19	69.7	65.1	25.4	M16	UC213	F213	4.99
UCF214	70	193	152	31	22	54	19	75.4	74.6	30.2	M16	UC214	F214	5.85
UCF215	75	200	159	34	22	56	19	78.5	77.8	33.3	M16	UC215	F215	6.91
UCF216	80	208	165	34	22	58	23	83.3	82.6	33.3	M20	UC216	F216	7.50
UCF217	85	220	175	36	24	63	23	87.6	85.7	34.1	M20	UC217	F217	9.66
UCF218	90	235	187	40	24	68	23	96.3	96	39.7	M20	UC218	F218	12.06
UCF305	25	110	80	16	13	29	16	39	38	15	M14	UC305	F305	1.10
UCF306	30	125	95	18	15	32	16	44	43	17	M14	UC306	F306	1.60
UCF307	35	135	100	20	16	36	19	49	48	19	M16	UC307	F307	2.00
UCF308	40	150	112	23	17	40	19	56	52	19	M16	UC308	F308	2.70
UCF309	45	160	125	25	18	44	19	60	57	22	M16	UC309	F309	3.40
UCF310	50	175	132	28	19	48	23	67	61	22	M20	UC310	F310	4.50
UCF311	55	185	140	30	20	52	23	71	66	25	M20	UC311	F311	5.50
UCF312	60	195	150	33	22	56	23	78	71	26	M20	UC312	F312	6.50
UCF313	65	208	166	33	22	58	23	78	75	30	M20	UC313	F313	7.90
UCF314	70	226	178	36	25	61	25	81	78	31	M22	UC314	F314	9.50
UCF315	75	236	184	39	25	66	25	89	82	32	M22	UC315	F315	12.00
UCF316	80	250	196	38	27	68	31	90	86	34	M27	UC316	F316	14.00
UCF317	85	260	204	44	27	74	31	100	96	40	M27	UC317	F317	16.00
UCF318	90	280	216	44	30	76	35	100	96	40	M30	UC318	F318	19.00
UCF319	95	290	228	59	30	94	35	121	103	41	M30	UC319	F319	22.00
UCF320	100	310	242	59	32	94	38	125	108	42	M33	UC320	F320	26.00
UCF321	105	310	242	59	32	94	38	127	112	44	M33	UC321	F321	28.00
UCF322	110	340	266	60	35	96	41	131	117	46	M36	UC322	F322	32.00
UCF324	120	370	290	65	40	110	41	140	126	51	M36	UC324	F324	44.00
UCF326	130	410	320	65	45	115	41	146	135	54	M36	UC326	F326	58.00
UCF328	140	450	350	75	55	125	41	161	145	59	M36	UC328	F328	75.00



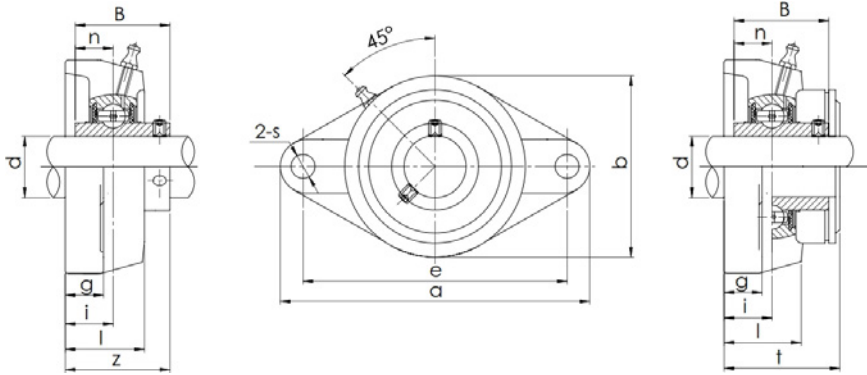
ISO	Dimensions (mm)												Bolt Size	Bearing No.	Housing No.	Weight (kg)	
	d	a	e	i	g	l	S	b	Z	f	c	B					n
UCFA201	12	98	78	15	12	25.5	10	60	33.3	40	50	31.0	12.7	M8	UC201	FA204	0.50
UCFA202	15	98	78	15	12	25.5	10	60	33.3	40	50	31.0	12.7	M8	UC202	FA204	0.49
UCFA203	17	98	78	15	12	25.5	10	60	33.3	40	50	31.0	12.7	M8	UC203	FA204	0.48
UCFA204	20	98	78	15	12	25.5	10	60	33.3	40	50	31.0	12.7	M8	UC204	FA204	0.46
UCFA205	25	124	98	16	14	27.0	13	70	35.8	51	65	34.1	14.3	M10	UC205	FA205	0.66
UCFA206	30	141	115	18	14	31.0	13	83	40.2	58	72	38.1	15.9	M10	UC206	FA206	0.93
UCFA207	35	155	128	19	16	34.0	15	96	44.4	66	82	42.9	17.5	M12	UC207	FA207	1.46
UCFA208	40	171	142	21	16	38.0	15	105	51.2	71	87	49.2	19.0	M12	UC208	FA208	1.78
UCFA209	45	179	146	22	18	40.0	17	111	52.2	72	90	49.2	19.0	M14	UC209	FA209	2.03
UCFA210	50	189	155	22	18	40.0	17	116	54.6	76	94	51.6	19.0	M14	UC210	FA210	2.23



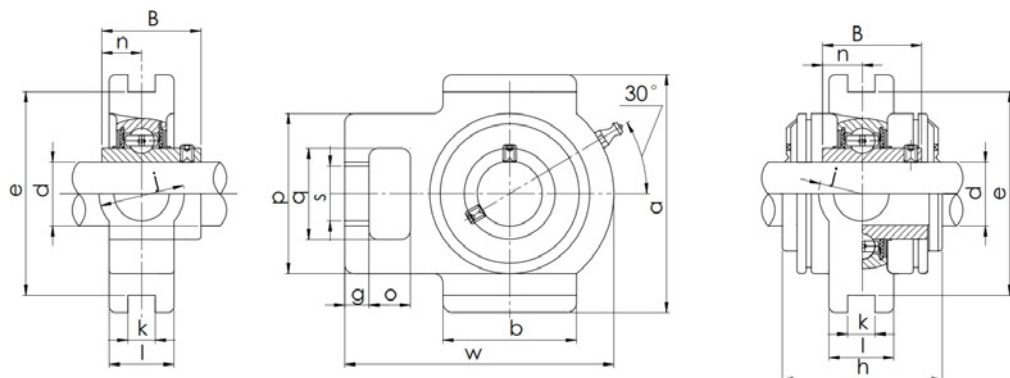
ISO	Dimensions (mm)															Bolt Size	Bearing No.	Housing No.	Weight (kg)
	d	w	b	k	a	l	s	g	h	j	e	i	z	B	n				
UCFB201	12	110	62	52	52	25.5	10	13	42	27	32	15	33.3	31.0	12.7	M8	UC201	FB204	0.58
UCFB202	15	110	62	52	52	25.5	10	13	42	27	32	15	33.3	31.0	12.7	M8	UC202	FB204	0.57
UCFB203	17	110	62	52	52	25.5	10	13	42	27	32	15	33.3	31.0	12.7	M8	UC203	FB204	0.56
UCFB204	20	110	62	52	52	25.5	10	13	42	27	32	15	33.3	31.0	12.7	M8	UC204	FB204	0.54
UCFB205	25	116	68	56	56	27.0	10	13	45	27	34	16	35.8	34.1	14.3	M8	UC205	FB205	0.79
UCFB206	30	130	78	65	65	31.0	10	13	50	29	40	18	40.2	38.1	15.9	M8	UC206	FB206	0.95
UCFB207	35	144	90	70	70	34.0	10	15	55	32	46	19	44.4	42.9	17.5	M8	UC207	FB207	1.29
UCFB208	40	164	100	78	78	36.0	12	16	60	41	50	21	51.2	49.2	19	M10	UC208	FB208	1.78
UCFB209	45	174	106	80	80	38.0	12	18	65	43	54	22	52.2	49.2	19	M10	UC209	FB209	1.91
UCFB210	50	184	112	86	86	40.0	12	18	68	46	58	22	54.6	51.6	19	M10	UC210	FB210	2.36
UCFB211	55	207	130	90	90	43.0	14	18	78	50	62	25	58.4	55.6	22.2	M12	UC211	FB211	3.15
UCFB212	60	223	140	94	94	48.0	14	18	84	55	66	29	68.7	65.1	25.4	M12	UC212	FB212	3.99



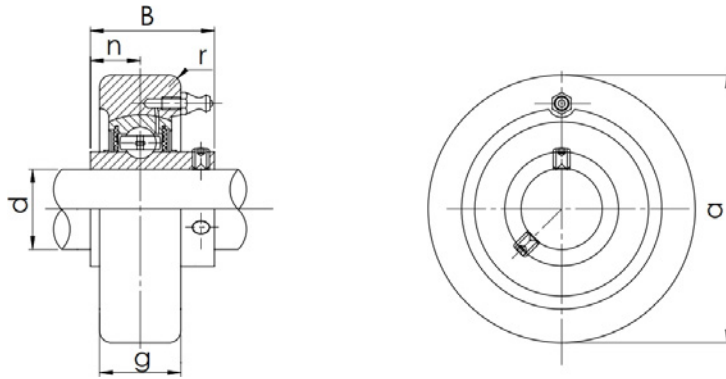
ISO	Dimensions (mm)															Bolt Size	Bearing No.	Housing No.	Weight (kg)
	d	a	P	e	i	s	j	k	g	f	z	t	B	n					
UCFC201	12	100	78	55.1	10	12	5	7	20.5	62	28.3	32.5	31.0	12.7	M10	UC201	FC204	0.73	
UCFC202	15	100	78	55.1	10	12	5	7	20.5	62	28.3	32.5	31.0	12.7	M10	UC202	FC204	0.72	
UCFC203	17	100	78	55.1	10	12	5	7	20.5	62	28.3	32.5	31.0	12.7	M10	UC203	FC204	0.71	
UCFC204	20	100	78	55.1	10	12	5	7	20.5	62	28.3	32.5	31.0	12.7	M10	UC204	FC204	0.69	
UCFC205	25	115	90	63.6	10	12	6	7	21.0	70	29.8	34.0	34.1	14.3	M10	UC205	FC205	1.00	
UCFC206	30	125	100	70.7	10	12	8	8	23.0	80	32.2	36.5	38.1	15.9	M10	UC206	FC206	1.30	
UCFC207	35	135	110	77.8	11	14	8	9	26.0	90	36.4	41.0	42.9	17.5	M12	UC207	FC207	1.81	
UCFC208	40	145	120	84.8	11	14	10	9	26.0	100	41.2	45.5	49.2	19.0	M12	UC208	FC208	2.14	
UCFC209	45	160	132	93.3	10	16	12	14	26.0	105	40.2	44.5	49.2	19.0	M14	UC209	FC209	2.68	
UCFC210	50	165	138	97.6	10	16	12	14	28.0	110	42.6	47.5	51.6	19.0	M14	UC210	FC210	2.90	
UCFC211	55	185	150	106.1	13	19	12	15	31.0	125	46.4	51.0	55.6	22.2	M16	UC211	FC211	4.01	
UCFC212	60	195	160	113.1	17	19	12	15	36.0	135	56.7	61.5	65.1	25.4	M16	UC212	FC212	4.94	
UCFC213	65	205	170	120.2	16	19	14	15	36.0	145	55.7	60.5	65.1	25.4	M16	UC213	FC213	5.65	
UCFC214	70	215	177	125.1	17	19	14	18	40.0	150	61.4	-	74.6	30.2	M16	UC214	FC214	6.95	
UCFC215	75	220	184	130.1	18	19	16	18	40.0	160	62.5	-	77.8	33.3	M16	UC215	FC215	7.56	
UCFC216	80	240	200	141.4	18	23	16	18	42.0	170	67.3	-	82.6	33.3	M20	UC216	FC216	9.15	
UCFC217	85	250	208	147.1	18	23	18	20	45.0	180	69.6	-	85.7	34.1	M20	UC217	FC217	10.81	
UCFC218	90	265	220	155.5	22	23	18	20	50.0	190	78.3	-	96.0	39.7	M20	UC218	FC218	12.96	



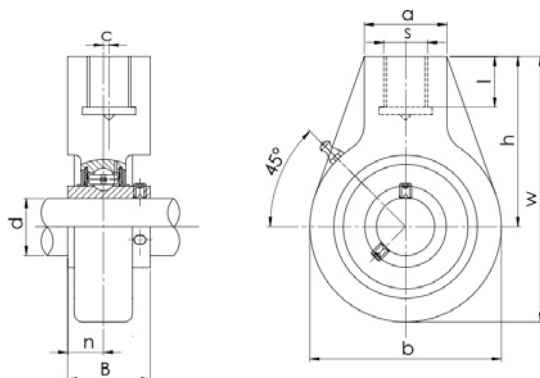
ISO	Dimensions (mm)											Bolt Size	Bearing No.	Housing No.	Weight (kg)
	d	a	e	i	g	l	s	b	z	B	n				
UCFL201	12	113	90	15	11	25.5	12	60	33.3	31	12.7	M10	UC201	FL204	0.45
UCFL202	15	113	90	15	11	25.5	12	60	33.3	31	12.7	M10	UC202	FL204	0.44
UCFL203	17	113	90	15	11	25.5	12	60	33.3	31	12.7	M10	UC203	FL204	0.43
UCFL204	20	113	90	15	11	25.5	12	60	33.3	31	12.7	M10	UC204	FL204	0.41
UCFL205	25	130	99	16	13	27	16	68	35.8	34.1	14.3	M14	UC205	FL205	0.58
UCFL206	30	148	117	18	13	31	16	80	40.2	38.1	15.9	M14	UC206	FL206	0.86
UCFL207	35	161	130	19	14	34	16	90	44.4	42.9	17.5	M14	UC207	FL207	1.08
UCFL208	40	175	144	21	14	36	16	100	51.2	49.2	19	M14	UC208	FL208	1.44
UCFL209	45	188	148	22	15	38	19	108	52.2	49.2	19	M16	UC209	FL209	1.74
UCFL210	50	197	157	22	15	40	19	115	54.6	51.6	19	M16	UC210	FL210	2.10
UCFL211	55	224	184	25	18	43	19	130	58.4	55.6	22.2	M16	UC211	FL211	2.91
UCFL212	60	250	202	29	18	48	23	140	68.7	65.1	25.4	M20	UC212	FL212	3.74
UCFL213	65	258	210	30	22	50	23	155	69.7	65.1	25.4	M20	UC213	FL213	4.57
UCFL214	70	265	216	31	22	54	23	160	75.4	74.6	30.2	M20	UC214	FL214	5.11
UCFL215	75	275	225	34	22	56	23	165	78.5	77.8	33.3	M20	UC215	FL215	5.37
UCFL216	80	290	233	34	22	58	25	180	83.3	82.6	33.3	M22	UC216	FL216	7.20
UCFL217	85	305	248	36	24	63	25	190	87.6	85.7	34.1	M22	UC217	FL217	8.61
UCFL218	90	320	265	40	24	68	25	205	96.3	96	39.7	M22	UC218	FL218	10.51
UCFL305	25	150	113	16	13	29	19	80	39	38	15	M16	UC305	FL305	1.10
UCFL306	30	180	134	18	15	32	23	90	44	43	17	M20	UC306	FL306	1.50
UCFL307	35	185	141	20	16	36	23	100	49	48	19	M20	UC307	FL307	1.90
UCFL308	40	200	158	23	17	40	23	112	56	52	19	M20	UC308	FL308	2.50
UCFL309	45	230	177	25	18	44	25	125	60	57	22	M22	UC309	FL309	3.40
UCFL310	50	240	187	28	19	48	25	140	67	61	22	M22	UC310	FL310	4.40
UCFL311	55	250	198	30	20	52	25	150	70	66	25	M22	UC311	FL311	5.10
UCFL312	60	270	212	33	22	56	31	160	78	71	26	M27	UC312	FL312	6.10
UCFL313	65	295	240	33	25	58	31	175	78	75	30	M27	UC313	FL313	7.80
UCFL314	70	315	250	36	28	61	35	185	80	78	33	M30	UC314	FL314	9.00
UCFL315	75	320	260	39	30	66	35	195	89	82	32	M30	UC315	FL315	10.00
UCFL316	80	355	285	38	32	68	38	210	90	86	34	M33	UC316	FL316	13.00
UCFL317	85	370	300	44	32	74	38	220	100	96	40	M33	UC317	FL317	15.00
UCFL318	90	385	315	44	36	76	38	235	100	96	40	M33	UC318	FL318	18.00
UCFL319	95	405	330	59	40	94	41	250	121	103	41	M36	UC319	FL319	22.00



ISO	Dimensions (mm)																Bearing No.	Housing No.	Weight (kg)
	d	o	g	p	q	s	b	k	e	a	w	j	l	h	B	n			
UCT201	12	16	10	51	32	19	51	12	76	89	94	32	21	61	31	12.7	UC201	T204	0.80
UCT202	15	16	10	51	32	19	51	12	76	89	94	32	21	61	31	12.7	UC202	T204	0.79
UCT203	17	16	10	51	32	19	51	12	76	89	94	32	21	61	31	12.7	UC203	T204	0.78
UCT204	20	16	10	51	32	19	51	12	76	89	94	32	21	61	31	12.7	UC204	T204	0.76
UCT205	25	16	10	51	32	19	51	12	76	89	97	32	24	62	34.1	14.3	UC205	T205	0.81
UCT206	30	16	10	56	37	22	57	12	89	102	113	37	28	70	38.1	15.9	UC206	T206	1.22
UCT207	35	16	13	64	37	22	64	12	89	102	129	37	30	78	42.9	17.5	UC207	T207	1.44
UCT208	40	19	16	83	49	29	83	16	102	114	144	49	33	89	49.2	19	UC208	T208	2.40
UCT209	45	19	16	83	49	29	83	16	102	117	144	49	35	87	49.2	19	UC209	T209	2.36
UCT210	50	19	16	83	49	29	86	16	102	117	149	49	37	90	51.6	19	UC210	T210	2.43
UCT211	55	25	19	102	64	35	95	22	130	146	171	64	38	106	55.6	22.2	UC211	T211	4.11
UCT212	60	32	19	102	64	35	102	22	130	146	194	64	42	119	65.1	25.4	UC212	T212	4.97
UCT213	65	32	21	111	70	41	121	26	151	167	224	70	44	137	65.1	25.4	UC213	T213	6.65
UCT214	70	32	21	111	70	41	121	26	151	167	224	70	46	137	74.6	30.2	UC214	T214	7.05
UCT215	75	32	21	111	70	41	121	26	151	167	232	70	48	140	77.8	33.3	UC215	T215	7.41
UCT216	80	32	21	111	70	41	121	26	165	184	235	70	51	140	82.6	33.3	UC216	T216	8.30
UCT217	85	38	29	124	73	48	157	30	173	184	260	73	54	162	85.7	34.1	UC217	T217	11.00
UCT218	90	40	30	130	80	48	140	30	190	215	275	80	55	170	96	39.7	UC218	T218	12.20



ISO	Dimensions (mm)						Bearing No.	Housing No.	Weight (kg)
	d	a	g	r	B	n			
UCC201	12	72	20	2	31	12.7	UC201	C204	0.52
UCC202	15	72	20	2	31	12.7	UC202	C204	0.51
UCC203	17	72	20	2	31	12.7	UC203	C204	0.50
UCC204	20	72	20	2	31	12.7	UC204	C204	0.48
UCC205	25	80	22	2	34.1	14.6	UC205	C205	0.63
UCC206	30	85	27	2	38.1	15.9	UC206	C206	0.80
UCC207	35	90	28	2	42.9	17.5	UC207	C207	0.93
UCC208	40	100	30	2.5	49.2	19	UC208	C208	1.22
UCC209	45	110	31	2.5	49.2	19	UC209	C209	1.49
UCC210	50	120	33	2.5	51.6	19	UC210	C210	1.90
UCC211	55	125	35	2.5	55.6	22.2	UC211	C211	2.18
UCC212	60	130	38	2.5	65.1	25.4	UC212	C212	2.52
UCC213	65	140	40	3	65.1	25.4	UC213	C213	2.98



ISO	Dimensions (mm)											Bearing No.	Housing No.	Weight (kg)
	d	h	w	b	c	a	s	l	B	n				
UCHA201	12	64	96	64	0	40	G3/4	19	31	12.7	UC201	HA204	0.73	
UCHA202	15	64	96	64	0	40	G3/4	19	31	12.7	UC202	HA204	0.72	
UCHA203	17	64	96	64	0	40	G3/4	19	31	12.7	UC203	HA204	0.71	
UCHA204	20	64	96	64	0	40	G3/4	19	31	12.7	UC204	HA204	0.69	
UCHA205	25	64	103	78	0	40	G3/4	19	34.1	14.3	UC205	HA205	0.83	
UCHA206	30	64	103	78	0	40	G3/4	19	38.1	15.9	UC206	HA206	0.90	
UCHA207	35	70	116	92	0	40	G3/4	19	42.9	17.5	UC207	HA207	1.16	
UCHA208	40	73	121	96	2	40	G3/4	19	49.2	19	UC208	HA208	1.32	
UCHA209	45	82	136	108	5	48	G1	21	49.2	19	UC209	HA209	1.92	
UCHA210	50	83	142	118	5	48	G1	21	51.6	19	UC210	HA210	1.90	
UCHA211	55	87	150	126	7	60	G1-1/4	25	55.6	22.2	UC211	HA211	2.61	
UCHA212	60	102	173	142	9	60	G1-1/4	28	65.1	25.4	UC212	HA212	3.54	
UCHA213	65	117	200	166	9.5	70	G1-1/4	32	65.1	25.4	UC213	HA213	5.80	



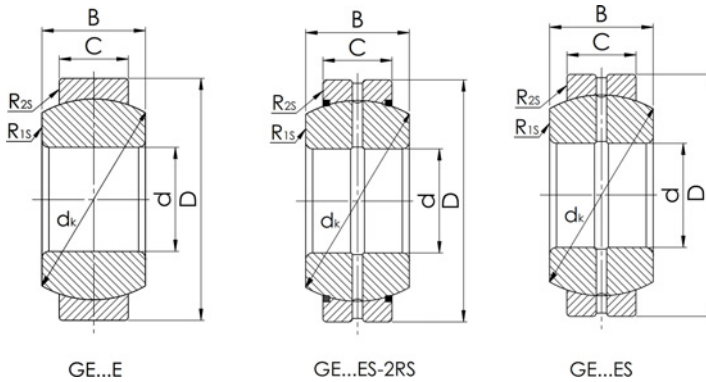
Subject	Symbol	Description
Seal type	2RS	GE series spherical bearings can have rubber seals on both sides.

Features

Spherical plain bearings are radial plain bearings consists of an outer ring and an inner ring made of bearing steel and with spherical sliding contact surface. These bearing are suitable for arrangements with heavy radial load at low misalignment and oscillation. Moreover, spherical plain bearings can carry specific axial loads in both directions.

Sealing

Most popular sizes of CRAFT plain bearings are available without seals or sealed on both sides. Standard sealed bearings can increase the service life of a bearing and save space, while reducing inventory and assembly costs. Spherical plain bearings GE series fitted on both sides with the rubber seals (2RS) are very effective, under normal operating conditions, at keeping, under normal operating conditions, at keeping contaminants away from the sliding contact surfaces. These seals also effectively retain the grease and therefore are appropriate for bearings requiring maintenance.



GE...E

GE...ES-2RS

GE...ES

ISO	Dimensions (mm)						Basic Load Rating (N)		Weight (kg)	
	d	D	B	C	d _k	R ₁₅	R ₂₅	Dyn. C		Stat. C ₀
						min	min			
GE-5E	5	14	6	4	10	0.30	0.30	3400	17000	0.005
GE-6E	6	14	6	4	10	0.30	0.30	3400	17000	0.004
GE-8E	8	16	8	5	13	0.30	0.30	5500	27500	0.007
GE-10E	10	19	9	6	16	0.30	0.30	8150	40500	0.011
GE-12E	12	22	10	7	18	0.30	0.30	10800	54000	0.016
GE-15ES	15	26	12	9	22	0.30	0.30	17000	85000	0.025
GE-15ES 2RS	15	26	12	9	22	0.30	0.30	17000	85000	0.025
GE-16ES	16	30	14	10	25	0.30	0.30	21200	106000	0.041
GE-16ES 2RS	16	30	14	10	25	0.30	0.30	21200	106000	0.041
GE-17ES	17	30	14	10	25	0.30	0.30	21200	106000	0.041
GE-17ES 2RS	17	30	14	10	25	0.30	0.30	21200	106000	0.041
GE-20ES	20	35	16	12	29	0.60	0.30	30000	146000	0.061
GE-20ES 2RS	20	35	16	12	29	0.60	0.30	30000	146000	0.061
GE-25ES	25	42	20	16	35.5	0.60	0.60	48000	240000	0.110
GE-25ES 2RS	25	42	20	16	35.5	0.60	0.60	48000	240000	0.110
GE-30ES	30	47	22	18	40.7	0.60	0.60	62000	310000	0.140
GE-30ES 2RS	30	47	22	18	40.7	0.60	0.60	62000	310000	0.140
GE-35ES	35	55	25	20	47	0.60	1.00	80000	400000	0.220
GE-35ES 2RS	35	55	25	20	47	0.60	1.00	80000	400000	0.220
GE-40ES	40	62	28	22	53	0.60	1.00	100000	500000	0.300
GE-40ES 2RS	40	62	28	22	53	0.60	1.00	100000	500000	0.300
GE-45ES	45	68	32	25	60	0.60	1.00	127000	640000	0.410
GE-45ES 2RS	45	68	32	25	60	0.60	1.00	127000	640000	0.410
GE-50ES	50	75	35	28	66	0.60	1.00	156000	780000	0.530
GE-50ES 2RS	50	75	35	28	66	0.60	1.00	156000	780000	0.530
GE-55ES	55	85	40	32	74	0.60	1.00	200000	1000000	0.940
GE-55ES 2RS	55	85	40	32	74	0.60	1.00	200000	1000000	0.940
GE-60ES	60	90	44	36	80	1.00	1.00	245000	1220000	1.000
GE-60ES 2RS	60	90	44	36	80	1.00	1.00	245000	1220000	1.000
GE-70ES	70	105	49	40	92	1.00	1.00	315000	1560000	1.500
GE-70ES 2RS	70	105	49	40	92	1.00	1.00	315000	1560000	1.500
GE-80ES	80	120	55	45	105	1.00	1.00	400000	2000000	2.200
GE-80ES 2RS	80	120	55	45	105	1.00	1.00	400000	2000000	2.200
GE-90ES	90	130	60	50	115	1.00	1.00	490000	2450000	2.700
GE-90ES 2RS	90	130	60	50	115	1.00	1.00	490000	2450000	2.700
GE-100ES	100	150	70	55	130	1.00	1.00	610000	3050000	4.300
GE-100ES 2RS	100	150	70	55	130	1.00	1.00	610000	3050000	4.300
GE-110ES	110	160	70	55	140	1.00	1.00	655000	3250000	4.700
GE-110ES 2RS	110	160	70	55	140	1.00	1.00	655000	3250000	4.700
GE-120ES	120	180	85	70	160	1.00	1.00	950000	4750000	8.000
GE-120ES 2RS	120	180	85	70	160	1.00	1.00	950000	4750000	8.000
GE-140ES	140	210	90	70	180	1.00	1.00	1080000	5400000	11.000
GE-140ES 2RS	140	210	90	70	180	1.00	1.00	1080000	5400000	11.000

ISO	Dimensions (mm)							Basic Load Rating (N)		Weight (kg)
	d	D	B	C	d _k	R _{ts}	R _{zs}	Dyn. C	Stat. C ₀	
						min	min			
GE-160ES	160	230	105	80	200	1.00	1.00	1360000	6800000	14.00
GE-160ES 2RS	160	230	105	80	200	1.00	1.00	1360000	6800000	14.00
GE-180ES	180	260	105	80	225	1.00	1.00	1530000	7650000	18.50
GE-180ES 2RS	180	260	105	80	225	1.00	1.00	1530000	7650000	18.50
GE-200ES	200	290	130	100	250	1.10	1.10	2120000	10600000	28.00
GE-200ES 2RS	200	290	130	100	250	1.10	1.10	2120000	10600000	28.00
GE-220ES	220	320	135	100	275	1.10	1.10	2320000	11600000	35.51
GE-220ES 2RS	220	320	135	100	275	1.10	1.10	2320000	11600000	35.51
GE-240ES	240	340	140	100	300	1.10	1.10	2550000	12700000	39.91
GE-240ES 2RS	240	340	140	100	300	1.10	1.10	2550000	12700000	39.91
GE-260ES	260	370	150	110	325	1.10	1.10	3030000	15190000	51.54
GE-260ES 2RS	260	370	150	110	325	1.10	1.10	3030000	15190000	51.54
GE-280ES	280	400	155	120	350	1.10	1.10	3570000	17850000	65.06
GE-280ES 2RS	280	400	155	120	350	1.10	1.10	3570000	17850000	65.06
GE-300ES	300	430	165	120	375	1.10	1.10	3800000	19100000	78.07
GE-300ES 2RS	300	430	165	120	375	1.10	1.10	3800000	19100000	78.07



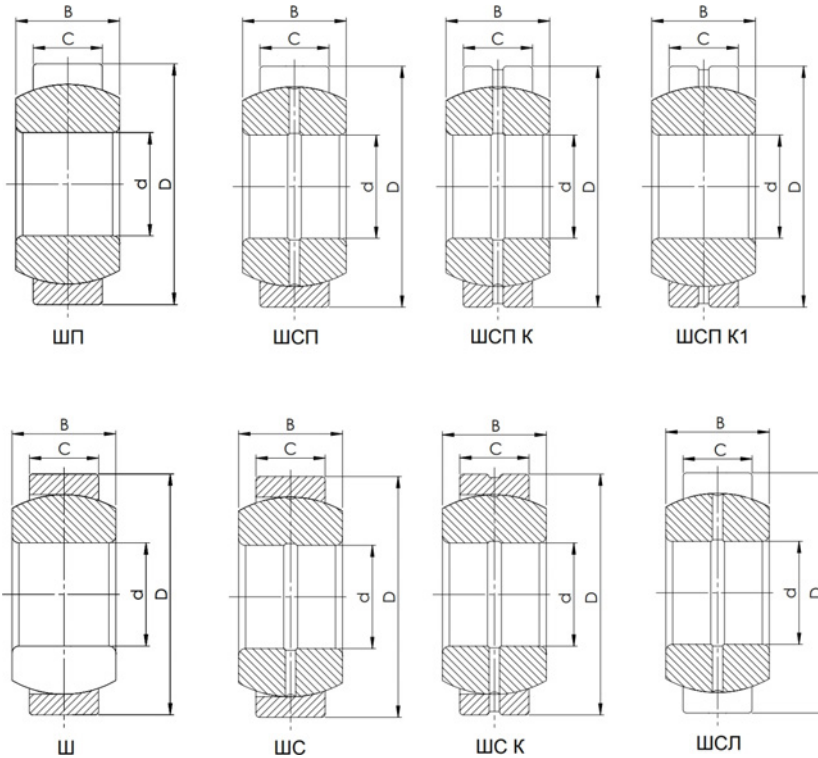
Subject	Symbol	Description
Technical modifications	-	Hole for lubrication on the inner ring.
	K	Groove and hole for lubrication on the inner and outer rings.
	K1	Groove and lubrication hole on the outer ring.

Features

Spherical plain bearings are radial plain bearings consists of an outer ring and an inner ring made of bearing steel and with spherical sliding contact surface. These bearing are suitable for arrangements with heavy radial load at low misalignment and oscillation. Moreover, spherical plain bearings can carry specific axial loads in both directions.

Sealing

Most popular sizes of CRAFT plain bearings are available without seals or sealed on both sides. Standard sealed bearings can increase the service life of a bearing and save space, while reducing inventory and assembly costs. Spherical plain bearings GE series fitted on both sides with the rubber seals (2RS) are very effective, under normal operating conditions, at keeping, under normal operating conditions, at keeping contaminants away from the sliding contact surfaces. These seals also effectively retain the grease and therefore are appropriate for bearings requiring maintenance.



GOST	Dimensions (mm)				Basic Load Rating (N)		Weight (kg)
	d	D	B	C	Dyn. C	Stat. C ₀	
S5	5	14	6	4	3400	17000	0.005
S6	6	14	6	4	3400	17000	0.005
S8	8	17	8	5	5525	27625	0.008
S10	10	20	9	6	8160	40800	0.012
S12	12	22	10	7	10710	53550	0.012
2S12	12	32	10	7	15470	77350	0.065
S15	15	28	12	7	13685	68425	0.035
2S15	15	35	18	14	34510	172550	0.082
S17	17	32	14	10	22100	110500	0.048
2S17	17	40	21	14	38080	190400	0.148
S20	20	35	16	12	29580	147900	0.065
2S20	20	47	26	15	44625	223125	0.190
S25	25	42	20	16	48280	241400	0.115
S30	30	47	22	18	62271	311355	0.158
S35	35	55	26	21	83895	419475	0.238
S40	40	62	28	22	99110	495550	0.330
S45	45	70	32	25	127500	637500	0.460
S50	50	75	35	28	157080	785400	0.560
S55	55	85	40	32	204000	1020000	0.880
S60	60	90	44	36	244800	1224000	0.942
SS5	5	14	6	4	3400	17000	0.005
SS6	6	14	6	4	3400	17000	0.005
SS8	8	17	8	5	5525	27625	0.008
SS10	10	20	9	6	8160	40800	0.012
SS12	12	22	10	7	10710	53550	0.012
2SS12	12	32	16	12	26520	132600	0.065
SS15	15	28	12	8	15640	78200	0.035

GOST	Dimensions (mm)				Basic Load Rating (N)		Weight (kg)
	d	D	B	C	Dyn. C	Stat. C ₀	
2SS15	15	35	18	14	34510	172550	0.082
SS17	17	32	14	10	22100	110500	0.048
2SS17	17	40	21	14	38080	190400	0.148
SS20	20	35	16	12	29580	147900	0.065
2SS20	20	47	26	15	44625	223125	0.190
SS25	25	42	20	16	48280	241400	0.115
SS30	30	47	22	18	62271	311355	0.158
SS35	35	55	26	21	83895	419475	0.238
SS40	40	62	28	22	99110	495550	0.330
SS45	45	70	32	25	127500	637500	0.460
SS50	50	75	35	28	157080	785400	0.560
SS55	55	85	40	32	204000	1020000	0.880
SS60	60	90	44	36	244800	1224000	0.942
SS80	80	125	76	70	678300	3391500	3.780
SSP6	6	14	6	4	3400	17000	0.005
SSP8	8	17	8	5	5525	27625	0.008
SSP10	10	20	9	6	8160	40800	0.012
SSP12	12	22	10	7	10710	53550	0.012
SSP15	15	28	12	8	15640	78200	0.035
SSP17	17	32	14	10	22100	110500	0.048
SSP20	20	35	16	12	29580	147900	0.065
SSP25	25	42	20	16	48280	241400	0.115
SSP30	30	47	22	18	62271	311355	0.158
SSP35	35	55	26	21	83895	419475	0.238
SSP40	40	62	28	22	99110	495550	0.330
SSP45	45	70	32	25	127500	637500	0.460
SSP50	50	75	35	28	157080	785400	0.560
SSP55	55	85	40	32	204000	1020000	0.880
SSL60	60	90	44	36	244800	1224000	0.942
GSSL60	60	105	63	40	336000	1680000	2.082
2SSL60	60	110	60	34	267000	1337000	2.184
6SSL60	60	130	85	70	684250	3421250	5.700
SSL70	70	105	49	40	312800	1564000	1.560
GSSL70	70	120	70	45	435000	2173000	2.942
2SSL70	70	125	70	35	314000	1571000	2.410
SSL80	80	125	76	70	678300	3391500	3.780
SSL90	90	130	60	50	488750	2443750	2.790
2SSL90	90	160	80	50	552500	2762500	6.100
SSL100	100	150	70	55	607750	3038750	4.300
SSL110	110	160	70	55	654500	3272500	4.700
SSL120	120	180	85	70	952000	4760000	8.090
2SSL120	120	215	130	90	1576000	7880000	19.700
SSL130	130	200	95	52	773500	3867500	8.930
2SSL150	150	270	160	110	2361000	1180500	39.850



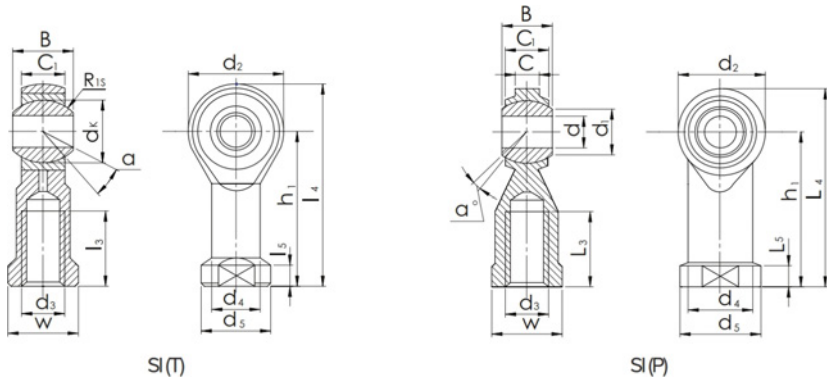
Subject	Symbol	Description
Type	SI	Rod end, right-hand thread.
	SIL	Rod end, left-hand thread.
	SA	Rod end, right-hand thread.
	SAL	Rod end, left-hand thread.
Friction parts	T/K	Steel/PTFE (wrap for smaller bearings and soaked fabric for bigger bearings).
	SS/M	Acid resistant steel/brass.

Features

A rod end bearing is a mechanical articulating joint. Such joints are used on the ends of control rods, steering links, tie rods or anywhere a precision articulating joint is required. A ball swivel with an opening through which a bolt or other attaching hardware may pass is pressed into a circular casing with a threaded shaft attached. The threaded portion may be either male or female. Rod ends has spherical plain bearing inserted.

Designation

Rod ends with built-in plain bearings are ready to mount parts and can be quickly and easily fixed to the interacting machine elements. The wide variety of engineering solutions are based on the one hand on implementing various plain bearings (various materials of friction parts) and on the other hand on various assembly options (internal or external threads, right or left hand threads) enable lots of construction solutions. Standard make (TK) bases on the friction pair steel/PTFE . For heavy duty operation SS/M rod ends are most suitable, where special acid resistant steel and brass constitute the friction part.

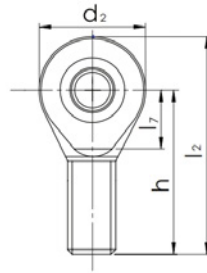
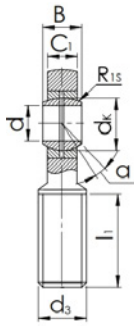


SI(T)

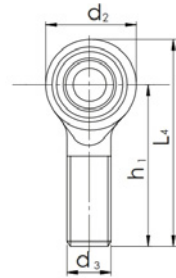
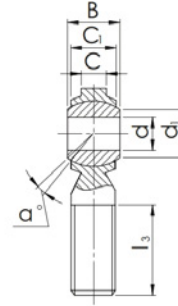
SI(P)

ISO	Dimensions (mm)														Basic Load Rating (N)		Weight (kg)		
	d	d3	B	C1	l3 min	W	d2	h1	l4	l5	d4	d5	dK	R1s	a	=		Dyn. C	Stat. C ₀
		6H																	
SI/SIL5 T/K	5	M5x0,8	8	6	10	9	18	27	36	4	8.5	11	11.1	0.3	13		5700	6000	0.016
SI/SIL6 T/K	6	M6x1,0	9	6.75	12	11	20	30	40	5	10	13	12.7	0.3	13		7200	7650	0.022
SI/SIL8 T/K	8	M8x1,25	12	9	16	14	24	36	48	5	12.5	16	15.875	0.3	14		11600	12900	0.047
SI/SIL10 T/K	10	M10x1,5	14	10.5	20	17	28	43	57	6.5	15	19	19.05	0.3	13		14500	18000	0.077
SI/SIL10-1 T/K	10	M10x1,25	14	10.5	20	17	28	43	57	6.5	15	19	19.05	0.3	13		14500	18000	0.077
SI/SIL12 T/K	12	M12x1,75	16	12	22	19	32	50	66	6.5	17.5	22	22.225	0.3	13		17000	24000	0.100
SI/SIL12-1 T/K	12	M12x1,25	16	12	22	19	32	50	66	6.5	17.5	22	22.225	0.3	13		17000	24000	0.100
SI/SIL14 T/K	14	M14x2,0	19	13.5	25	22	36	57	75	8	20	25	25.4	0.3	16		24000	31000	0.160
SI/SIL14-1 T/K	14	M14x1,5	19	13.5	25	22	36	57	75	8	20	25	25.4	0.3	16		24000	31000	0.160
SI/SIL16 T/K	16	M16x2,0	21	15	28	22	42	64	85	8	22	27	28.575	0.3	15		28500	39000	0.220
SI/SIL16-1 T/K	16	M16x1,5	21	15	28	22	42	64	85	8	22	27	28.575	0.3	15		28500	39000	0.220
SI/SIL18 T/K	18	M18x1,5	23	16.5	32	27	44	71	93	10	25	31	31.75	0.6	15		42500	47500	0.320
SI/SIL20 T/K	20	M20x1,5	25	18	33	30	50	77	102	10	27.5	34	34.925	0.6	14		42500	57000	0.420
SI/SIL22 T/K	22	M22x1,5	28	20	37	32	54	84	111	12	30	38	38.1	0.6	15		57000	68000	0.540
SI/SIL25 T/K	25	M24x2,0	31	22	42	36	60	94	124	12	33.5	42	42.86	0.3	15		68000	85000	0.720
SI/SIL28 T/K	28	M27x2,0	35	24	51	41	66	103	136	14	37	46	47.63	0.6	15		86000	107000	0.820
SI/SIL30 T/K	30	M30x2,0	37	25	51	41	70	110	145	15	40	50	50.8	0.6	17		88000	114000	1.100
SI/SIL30-1 T/K	30	M27x2,0	37	25	51	41	70	110	145	15	40	50	50.8	0.6	17		88000	114000	1.100
SI/SIL35 T/K	35	M36x2,0	43	28	56	50	81	125	165.5	17	46	58	57.15	0.6	16		94000	118000	1.600
SI/SIL40 T/K	40	M42x2,0	49	33	60	55	91	142	187.5	19	53	65	66.67	0.6	16		100000	120000	2.400
SI/SIL50 T/K	50	M48x2,0	60	45	65	65	117	160	218.5	23	65	75	82.5	0.6	12		112000	125000	5.000

ISO	Dimensions (mm)														Basic Load Rating (N)		Weight (kg)	
	d	d1	d3	B	C1	L3 min	W	d2	h1	L4	l5	d4	d5	a	=	Dyn. C		Stat. C ₀
			7H															
SI/SIL5 P/K	5	7.7	M5x0,8	8	6	10	9	19	27	36.5	4	9	11	12		5700	6000	0.0180
SI/SIL6 P/K	6	8.9	M6x1,0	9	6.7	12	11	21	30	40.5	5	10	13	11		7200	7650	0.0260
SI/SIL8 P/K	8	10.3	M8x1,25	12	9	16	14	25	36	48.5	5	12.5	16	12		11600	12900	0.0470
SI/SIL10 P/K	10	12.9	M10x1,5	14	11	20	17	29	43	57.5	6.5	15	19	12		14500	18000	0.0770
SI/SIL10-1 P/K	10	12.9	M10x1,25	14	11	20	17	29	43	57.5	6.5	15	19	12		14500	18000	0.0770
SI/SIL12 P/K	12	15.4	M12x1,75	16	12	22	19	33	50	66.5	6.5	17.5	22	13		17000	24000	0.1000
SI/SIL12-1 P/K	12	15.4	M12x1,25	16	12	22	19	33	50	66.5	6.5	17.5	22	13		17000	24000	0.1000
SI/SIL14 P/K	14	16.8	M14x2,0	19	14	25	22	37	57	75.5	8	20	25	14		24000	31000	0.1600
SI/SIL16 P/K	16	19.3	M16x2,0	21	15	28	22	43	64	85.5	8	22	27	14		28500	39000	0.2200
SI/SIL16-1 P/K	16	19.3	M16x1,5	21	15	28	22	43	64	85.5	8	22	27	14		28500	39000	0.2200
SI/SIL18 P/K	18	21.8	M18x1,5	23	17	32	27	47	71	94.5	10	25	31	14		42500	47500	0.3200
SI/SIL20 P/K	20	24.3	M20x1,5	25	18	33	30	51	77	102.5	10	27.5	34	14		42500	57000	0.4200
SI/SIL22 P/K	22	25.8	M22x1,5	28	20	37	32	55	84	111.5	12	30	38	15		57000	68000	0.5400
SI/SIL25 P/K	25	29.5	M24x2,0	31	22	42	36	61	94	124.5	12	33.5	42	15		68000	85000	0.7200



SA(T)



SA(P)

ISO	Dimensions (mm)												Basic Load Rating (N)		Weight (kg)	
	d	d3	B	C1	l1	d2	l7	h	l2	dk	R1s	a	=	Dyn. C		Stat. C ₀
		6g			min		min									
SA/SAL5 T/K	5	M5x0,8	8	6	19	18	-	33	42	11,11	0,3	13		5,7	6	0,0130
SA/SAL6 T/K	6	M6x1,0	9	6,75	21	20	-	36	46	12,7	0,3	13		7,2	7,65	0,0200
SA/SAL8 T/K	8	M8x1,25	12	9	25	24	-	42	54	15,875	0,3	14		11,6	12,9	0,0380
SA/SAL10 T/K	10	M10x1,5	14	10,5	28	28	-	28	62	19,05	0,3	13		14,5	18	0,0550
SA/SAL12 T/K	12	M12x1,75	16	12	32	32	-	54	70	22,225	0,3	13		17	24	0,0850
SA/SAL12-1 T/K	12	M12x1,25	16	12	32	32	-	54	70	22,225	0,3	13		17	24	0,0850
SA/SAL14 T/K	14	M14x2,0	19	13,5	36	36	18	60	78	25,4	0,3	16		24	31	0,1400
SA/SAL16 T/K	16	M16x2,0	21	15	37	42	21	66	87	28,575	0,3	15		28,5	39	0,2100
SA/SAL16-1 T/K	16	M16x1,5	21	15	37	42	21	66	87	28,575	0,3	15		28,5	39	0,2100
SA/SAL18 T/K	18	M18x1,5	23	16,5	41	44	22	72	94	31,75	0,3	15		42,5	47,5	0,2800
SA/SAL20 T/K	20	M20x1,5	25	18	45	50	25	78	103	34,925	0,3	14		42,5	57	0,3800
SA/SAL22 T/K	22	M22x1,5	28	20	48	54	27	84	111	38,1	0,3	15		57	68	0,4800
SA/SAL25 T/K	25	M24x2,0	31	22	55	60	30	94	124	42,86	0,3	15		68	85	0,6400
SA/SAL28 T/K	28	M27x2,0	35	24	62	66	33	103	136	47,63	0,3	15		86	107	0,8000
SA/SAL30 T/K	30	M30x2,0	37	25	66	70	35	110	145	50,8	0,3	17		88	114	1,1000
SA/SAL35 T/K	35	M36x2,0	43	28	85	81	40	140	180,5	57,15	0,3	16		-	-	1,6400
SA/SAL40 T/K	40	M42x2,0	49	33	90	91	45	150	195,5	66,67	0,3	17		-	-	2,3000
SA/SAL50 T/K	50	M48x2,0	60	45	105	117	58	185	243,5	82,5	0,3	12		-	-	4,8000

ISO	Dimensions mm											Basic Load Rating (N)		Weight (kg)	
	d	d1	d3	B	C	C2	d2	h1	L4	l3	a	=	Dyn. C		Stat. C ₀
			6g												
SA/SAL5 P/K	5	7,7	M5x0,8	8	6	2,9	19	33	42,5	20	12		5700	6000	0,014
SA/SAL6 P/K	6	8,9	M6x1,0	9	6,7	2,9	21	36	46,5	22	11		7200	7650	0,020
SA/SAL8 P/K	8	10,3	M8x1,25	12	9	4,5	25	42	54,5	25	12		11600	12900	0,038
SA/SAL10 P/K	10	12,9	M10x1,5	14	11	4,5	29	48	62,5	29	12		14500	18000	0,055
SA/SAL12 P/K	12	15,4	M12x1,75	16	12	6	33	54	70,5	33	13		17000	24000	0,085
SA/SAL14 P/K	14	16,8	M14x2,0	19	14	6,5	37	60	78,5	36	14		24000	31000	0,140
SA/SAL16 P/K	16	19,3	M16x2,0	21	15	7	43	66	87,5	40	14		28500	39000	0,210
SA/SAL18 P/K	18	21,8	M18x1,5	23	17	7	47	72	95,5	44	14		42500	47500	0,280
SA/SAL20 P/K	20	24,3	M20x1,5	25	18	8	51	78	103,5	47	14		42500	57000	0,380
SA/SAL22 P/K	22	25,8	M22x1,5	28	20	8,8	55	84	111,5	50	15		57000	68000	0,480
SA/SAL25 P/K	25	29,5	M24x2,0	31	22	11	61	94	124,5	57	15		68000	85000	0,640

ADAPTER SLEEVES

Series: H2.. H3.. H23.. H30.. H31..



Subject	Symbol	Description
Type	H	Adapter sleeve dimensions in accordance with ISO standard, basic design.
	HE	Adapter sleeve dimensions in accordance with ISO standard, except the bore, in 1/4 in.
	AH	Withdrawal sleeve dimensions in accordance with ISO standard, basic design.
	AOH	Withdrawal sleeve dimensions in accordance with ISO standard, prepared for oil injection.

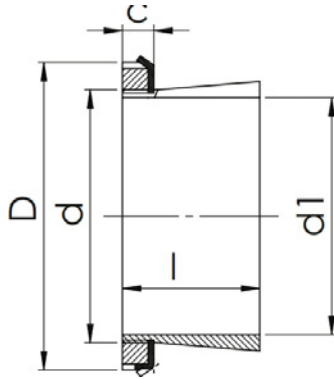
Features

Adapter sleeves are the most commonly used components for locating bearings with a tapered bore into a cylindrical shafts seating. They are easily to mount, and require no additional location on the shafts. CRAFT adapter sleeves are produced from high-quality steel, have a very precise form, and an excellent price/performance factors ratio. CRAFT adapter sleeves are made as complete product, with lock nut and locking washer.

CRAFT supplies metric adapter sleeves, series designations H. The dimensions are in accordance with ISO 2982-1:1995.

Adapter sleeves consist of three elements: the actual sleeve, toothed washer MB. (for large sleeves lock washer of MS-type) and lock nut of KM or HM-type. The adapter number denotes the complete assembly of adapter sleeve, locknut and lockwasher.

As the name implies, adapter sleeves adapt themselves to the shaft diameter, so that wider diameter tolerances can be permitted than for the seat of a bearing with a cylindrical bore. However, the form tolerances must be kept within narrow limits as the accuracy of form directly affects the running accuracy of the bearing.



Adapter Sleeve	Shaft d1			Dimensions (mm)					Composition				Weight (kg)
	HS in	HA in	HE in	d	d2	B1	B2	G	Sleeve	Locknut	Lockwasher	Lockcard	
H204	-	-	-	20	32	24	7	M20x1	A204	KM4	MB04	-	0.040
H205	7/8	13/16	3/4	25	38	26	8	M25x1,5	A205	KM5	MB05	-	0.070
H206	7/8	15/16	1	30	45	27	8	M30x1,5	A206	KM6	MB06	-	0.100
H207	1-1/8	1-3/16	1-1/4	35	52	29	9	M35x1,5	A207	KM7	MB07	-	0.130
H208	1-3/8	1-5/16	1-1/4	40	58	31	10	M40x1,5	A208	KM8	MB08	-	0.170
H209	1-5/8	1-7/16	1-1/2	45	65	33	11	M45x1,5	A209	KM9	MB09	-	0.230
H210	1-5/8	1-11/16	1-3/4	50	70	35	12	M50x1,5	A210	KM10	MB10	-	0.270
H211	1-7/8	1-15/16	2	55	75	37	12	M55x2	A211	KM11	MB11	-	0.310
H212	2-1/8	2-1/16	2-1/4	60	80	38	13	M60x2	A212	KM12	MB12	-	0.350
H213	2-3/8	2-3/16	2-1/4	65	85	40	14	M65x2	A213	KM13	MB13	-	0.400
H214	-	-	-	70	92	41	14	M70x2	A214	KM14	MB14	-	0.600
H215	2-5/8	2-7/16	2-1/2	75	98	43	15	M75x2	A215	KM15	MB15	-	0.710
H216	2-7/8	2-11/16	2-3/4	80	105	46	17	M80x2	A216	KM16	MB16	-	0.880
H217	-	2-15/16	3	85	110	50	18	M85x2	A217	KM17	MB17	-	1.020
H218	3-1/8	3-3/16	3-1/4	90	120	52	18	M90x2	A218	KM18	MB18	-	1.200
H219	-	3-5/16	3-1/4	95	125	55	19	M95x2	A219	KM19	MB19	-	1.350
H220	-	3-7/16	3-1/2	100	130	58	20	M100x2	A220	KM20	MB20	-	1.500
H221	-	-	-	105	140	60	20	M105x2	A221	KM21	MB21	-	1.700
H222	-	3-15/16	4	110	145	63	21	M110x2	A222	KM22	MB22	-	1.900
H304	-	-	-	20	32	28	7	M20x1	A304	KM4	MB04	-	0.045
H305	7/8	13/16	3/4	25	38	29	8	M25x1,5	A305	KM5	MB05	-	0.075
H306	7/8	15/16	1	30	45	31	8	M30x1,5	A306	KM6	MB06	-	0.110
H307	1-1/8	1-3/16	1-1/4	35	52	35	9	M35x1,5	A307	KM7	MB07	-	0.140
H308	1-3/8	1-5/16	1-1/4	40	58	36	10	M40x1,5	A308	KM8	MB08	-	0.190
H309	1-5/8	1-7/16	1-1/2	45	65	39	11	M45x1,5	A309	KM9	MB09	-	0.250
H310	1-5/8	1-11/16	1-3/4	50	70	42	12	M50x1,5	A310	KM10	MB10	-	0.300
H311	1-7/8	1-15/16	2	55	75	45	12	M55x2	A311	KM11	MB11	-	0.350
H312	2-1/8	2-1/16	2-1/4	60	80	47	13	M60x2	A312	KM12	MB12	-	0.390
H313	2-3/8	2-3/16	2-1/4	65	85	50	14	M65x2	A313	KM13	MB13	-	0.460
H314	-	-	-	70	92	52	14	M70x2	A314	KM14	MB14	-	0.720
H315	2-5/8	2-7/16	2-1/2	75	98	55	15	M75x2	A315	KM15	MB15	-	0.830
H316	2-7/8	2-11/16	2-3/4	80	105	59	17	M80x2	A316	KM16	MB16	-	1.000
H317	-	2-15/16	3	85	110	63	18	M85x2	A317	KM17	MB17	-	1.200
H318	3-1/8	3-3/16	3-1/4	90	120	65	18	M90x2	A318	KM18	MB18	-	1.350
H319	-	3-5/16	3-1/4	95	125	68	19	M95x2	A319	KM19	MB19	-	1.550
H320	-	3-7/16	3-1/2	100	130	71	20	M100x2	A320	KM20	MB20	-	1.700
H321	-	-	-	105	140	74	20	M105x2	A321	KM21	MB21	-	1.950
H322	-	3-15/16	4	110	145	77	21	M110x2	A322	KM22	MB22	-	2.200
H2304	17	-	-	20	32	31	7	M20x1	A2304	KM04	MB04	-	0.049
H2305	20	3/4	7/8	25	38	35	8	M25x1,5	A2305	KM05	MB05	-	0.087
H2306	25	1	7/8	30	45	38	8	M30x1,5	A2306	KM06	MB06	-	0.126
H2307	30	1-1/4	1-1/8	35	52	43	9	M35x1,5	A2307	KM07	MB07	-	0.170
H2308	35	1-1/4	1-3/8	40	58	46	10	M40x1,5	A2308	KM08	MB08	-	0.224

Adapter Sleeve	Shaft d1			Dimensions (mm)					Composition				Weight (kg)
	HS in	HA in	HE in	d	d2	B1	B2	G	Sleeve	Locknut	Lockwasher	Lockcard	
H2309	40	1-1/2	1-5/8	45	65	50	11	M45x1,5	A2309	KM09	MB09	-	0.280
H2310	45	1-3/4	1-5/8	50	70	55	12	M50x1,5	A2310	KM10	MB10	-	0.362
H2311	50	2	1-7/8	55	75	59	12	M55x2	A2311	KM11	MB11	-	0.420
H2312	55	2-1/4	2-1/8	60	80	62	13	M60x2	A2312	KM12	MB12	-	0.481
H2313	60	2-1/4	2-3/8	65	85	65	14	M65x2	A2313	KM13	MB13	-	0.557
H2314	60	-	-	70	92	68	14	M70x2	A2314	KM14	MB14	-	0.900
H2315	65	2-1/2	2-5/8	75	98	73	15	M75x2	A2315	KM15	MB15	-	1.050
H2316	70	2-3/4	2-7/8	80	105	78	17	M80x2	A2316	KM16	MB16	-	1.280
H2317	75	3	-	85	110	82	18	M85x2	A2317	KM17	MB17	-	1.450
H2318	80	3-1/4	3-1/8	90	120	86	18	M90x2	A2318	KM18	MB18	-	1.690
H2319	85	3-1/4	-	95	125	90	19	M95x2	A2319	KM19	MB19	-	1.920
H2320	90	3-1/2	-	100	130	97	20	M100x2	A2320	KM20	MB20	-	2.150
H2321	95	-	-	105	140	101	20	M105x2	A2321	KM21	MB21	-	2.460
H2322	100	4	-	110	145	105	21	M110x2	A2322	KM22	MB22	-	2.750
H2324	110	4-1/4	-	120	155	112	22	M120x2	A2324	KM24	MB24	-	3.200
H2326	115	4-1/2	-	130	165	121	23	M130x2	A2326	KM26	MB26	-	4.600
H2328	125	5	4-13/16	140	180	131	24	M140x2	A2328	KM28	MB28	-	5.550
H2330	135	5-1/4	-	150	195	139	26	M150x2	A2330	KM30	MB30	-	6.630
H2332	140	5-1/2	-	160	210	147	28	M160x2	A2332	KM32	MB32	-	9.150
H2334	150	6	-	170	220	154	29	M170x2	A2334	KM34	MB34	-	10.20
H2336	160	6-1/2	-	180	230	161	30	M180x2	A2336	KM36	MB36	-	11.30
H2338	170	6-3/4	-	190	240	169	31	M190x2	A2338	KM38	MB38	-	12.60
H2340	180	7	-	200	250	176	32	M200x2	A2340	KM40	MB40	-	14.00
H2344	200	-	-	220	280	186	44	T220x4	A2344	HM44	-	MS44	16.70
H2348	220	-	-	240	300	199	46	T240x4	A2348	HM48	-	MS48	29.70
H2352	240	-	-	260	330	211	49	T260x4	A2352	HM52	-	MS52	24.20
H2356	260	-	-	280	350	224	51	T280x4	A2356	HM56	-	MS56	27.80
H3024	110	4-1/4	4-3/16	120	145	72	22	M120x2	A3024	KML24	MBL24	-	1.950
H3026	115	4-1/2	4-7/16	130	155	80	23	M130x2	A3026	KML26	MBL26	-	2.850
H3028	125	5	4-15/16	140	165	82	24	M140x2	A3028	KML28	MBL28	-	3.150
H3030	135	5-1/4	5-3/16	150	180	87	26	M150x2	A3030	KML30	MBL30	-	3.900
H3032	140	5-1/2	5-7/16	160	190	93	28	M160x3	A3032	KML32	MBL32	-	5.200
H3034	150	6	5-15/16	170	200	101	29	M170x3	A3034	KML34	MBL34	-	6.000
H3036	160	6-1/2	6-7/16	180	210	109	30	M180x3	A3036	KML36	MBL36	-	6.850
H3038	170	6-3/4	6-15/16	190	220	112	31	M190x3	A3038	KML38	MBL38	-	7.450
H3040	180	7	7-3/16	200	240	120	32	M200x3	A3040	KML40	MBL40	-	9.200
H3044	200	-	7-15/16	220	260	126	41	T220x4	A3044	KML44	-	MSL44	10.50
H3048	220	-	8-15/16	240	290	133	46	T240x4	A3048	KML48	-	MSL48	13.00
H3052	240	-	9-7/16	260	310	145	46	T260x4	A3052	KML52	-	MSL52	15.50
H3056	260	-	10-7/16	280	330	152	50	T280x4	A3056	KML56	-	MSL56	17.50
H3060	280	-	10-15/16	300	360	168	54	T300x4	A3060	KML60	-	MSL60	23.00
H3064	300	-	11-15/16	320	380	171	55	T320x5	A3064	KML64	-	MSL64	24.50
H3068	320	-	12-7/16	340	400	187	58	T340x5	A3068	KML68	-	MSL68	28.50
H3072	340	-	13-15/16	360	420	188	58	T360x5	A3072	KML72	-	MSL72	30.50
H3076	360	-	-	380	450	193	62	T380x5	A3076	KML76	-	MSL76	36.00
H3080	380	-	-	400	470	210	66	T400x5	A3080	KML80	-	MSL80	41.50
H3084	400	-	-	420	490	212	66	T420x5	A3084	KML84	-	MSL84	43.50
H3088	410	-	-	440	520	228	77	T440x5	A3088	KML88	-	MSL88	65.20
H3092	430	-	-	460	540	234	77	T460x5	A3092	KML92	-	MSL92	69.50
H3096	450	-	-	480	560	237	77	T480x5	A3096	KML96	-	MSL96	73.50
H3120	90	3-1/2	3-7/16	100	130	76	20	M100x2	A3120	KM20	MB20	-	1.800
H3122	100	4	3-15/16	110	145	81	21	M110x2	A3122	KM22	MB22	-	2.400
H3124	110	4-1/4	4-3/16	120	155	88	22	M120x2	A3124	KM24	MB24	-	2.650
H3126	115	4-1/2	4-7/16	130	165	92	23	M130x2	A3126	KM26	MB26	-	3.650
H3128	125	5	4-15/16	140	180	97	24	M140x2	A3128	KM28	MB28	-	4.350
H3130	135	5-1/4	5-3/16	150	195	111	26	M150x2	A3130	KM30	MB30	-	5.500
H3132	140	5-1/2	5-7/16	160	210	119	28	M160x3	A3132	KM32	MB32	-	7.650
H3134	150	6	5-15/16	170	220	122	29	M170x3	A3134	KM34	MB34	-	8.400
H3136	160	6-1/2	6-7/16	180	230	131	30	M180x3	A3136	KM36	MB36	-	9.500

Adapter Sleeve	Shaft d1			Dimensions (mm)					Composition				Weight (kg)
	HS in	HA in	HE in	d	d2	B1	B2	G	Sleeve	Locknut	Lockwasher	Lockcard	
H3138	170	6-3/4	6-15/16	190	240	141	31	M190x3	A3138	KM38	MB38	-	11.00
H3140	180	7	7-3/16	200	250	150	32	M200x3	A3140	KM40	MB40	-	12.00
H3144	200	-	7-15/16	220	280	161	44	T220x4	A3144	KM44	-	MS44	15.00
H3148	220	-	-	240	300	172	46	T240x4	A3148	KM48	-	MS48	18.00
H3152	240	-	-	260	330	190	49	T260x4	A3152	KM52	-	MS52	22.50
H3156	260	-	-	280	350	195	51	T280x4	A3156	KM56	-	MS56	25.00
H3160	280	-	-	300	380	20	53	T300x4	A3160	KM60	-	MS60	30.00
H3164	300	-	-	320	400	226	56	T320x5	A3164	KM64	-	MS64	35.00

VARIOUS BEARINGS

Auto Clutch Release Bearings, Agricultural Bearings, Automotive Joint Cross, Timing Belt Tensioner Pulleys, Double Row Angular Contact Ball Bearings, Radial And Angular Contact Ball Bearings, Various Bearings



Features

CRAFT Various Bearings are a mixed variety of standard and custom bearings mostly used in Agricultural, Automotive and other industries. This group includes:

- Agricultural Bearings
- Automotive Joint Cross
- Auto Clutch Release Bearings
- Timing Belt Tensioner Pulleys
- Double Row Angular Contact Ball Bearings
- Radial And Angular Contact Ball Bearings

CRAFT	OEM	Dimensions (mm)				APPLICATION
		d	D	h	W/OD	
CB- 588911	588911	52.388	84.500	20.840	0.380	GAZ-53
CB-2080	770161841	23.800	33.000	24.000	50.200	RENAULT
CB-2091	19141165	34.000	44/62	16.000	72.000	AUDI/ VW
CB-2095	4662270	24.000	34.000	26.000	82.300	FIAT
CB-2101-360708KC17	2101-1682 NY	26.100	45/70	28.000	36.000	LADA
CB-2115	95492693	30.000	40.000	27.000	64.000	FIAT/ PEUGEOT
CB-2168	4409361	28.500	39.500	25.900	90.500	FIAT/ PEUGEOT
CB-2169	2041.43	33.200	39.500	24.000	101.500	Peugeot 405
CB-2189	7700692431	30.000	40.000	23.500	79.000	RENAULT
CB-2191	7704001430	26.000	35.000	19.500	30.000	RENAULT
CB-2215	90250658	35.200	39/65,4	19.000	41.800	DAEWOO-OPEL
CB-2216	2041.6	24.300	34.000	20.500	61.800	Peugeot 405
CB-2240	-	35.000	42/56	29.500	79.000	PAYKEN FS
CB-245	245-1601180	25.000	35.000	21.000	80.500	-
CB-2516	-	25.400	34.000	18.500	61.500	PEUGEOT 405
CB-2548	6546467	34.000	42/56	22.000	90.500	FORD
CB-31230-12140	31230-12140	33.100	50.000	22.000	70.200	TOYOTA
CB-31230-60180	31230-60180	38.200	68.000	42.500	48.200	TOYOTA
CB-3500	30502-21000	40.000	62.000	19.000	75.000	NISSAN/ DATSUN
CB-3505	GRP207	38.100	48.000	16.500	67.000	ISUZU/ MITSUBISHI/ OPEL/ ROVER/ TOYOTA/ TRIUMPH/ VAUXHALL/ DAIHATSU
	GRP209					
	4293481					
	94020016					
	94024052					
	MD701283					
	R91132063					
	09269-38001					
	09269-38002					
	90363-38001					
90363-38009						
90363-38043						
90363-38056						
90363-38084						
9-00095-040-0						
9-00095-040-1						
CB-3507	H606-16-510	36.000	54.000	24.500	77.700	MAZDA
CB-3509	90043-63002	35.000	45.000	14.000	56.600	DAIHATSU
CB-3515	41421-28000	32.000	48.000	23.200	45.800	HYUNDAI
CB-3540	0727-16-512A	55.000	68.000	22.000	88.000	MAZDA
CB-3554	4293862	36.900	48.000	20.150	66.500	BEDFORD/ ISUZU/ OPEL/ VAUXHALL
	94101243					
	8941012430					
	8-94101-243-0					
CB-3555	30502-53J01	33.100	48.000	13.000	67.700	NISSAN
	30502-53J05					
	30502-53J61					
	30502-52A60					
	09269-33001					
09269-33002						
CB-3556	31230-01030	33.100	50.000	21.500	70.000	NISSAN/ SUZUKI/ TOYOTA
	31230-01070					
	31230-10060					
	31230-10061					
	31230-12040					
	31230-12100					
	31230-12110					
	31230-12111					
	31230-12130					
	31230-12140					
	31230-16060					
	31230-16061					
	31230-16081					
	31230-16081A					
	CB-3560					
CB-3564	09269-35004	33.100	50.000	22.300	70.600	SUZUKI
CB-3565	30502-45P00	40.000	61.000	23.000	-	NISSAN
CB-3565-1	30502-45P00	40.000	62.000	23.200	81.500	NISSAN

CRAFT	OEM	Dimensions (mm)				APPLICATION
		d	D	h	W/OD	
CB-3567	30502-4A00D 4709646 93195005 09269-28004 09269M28004 09269-M28004 09269-28005 09269-28005/4 23265M79F00 23265M79F40 23265-M79F40	28.000	44.000	22.400	55.500	NISSAN/ OPEL/ SUZUKI/ VAUXHALL
CB-3568	8531-16-510	33.000	50.000	24.500	77.400	MAZDA
CB-3574	8-94109-658-0	42.800	62.000	23.200	-	ISUZU
CB-3578	31230-87702	28.000	44.000	22.000	45.000	DAIHATSU
CB-3584	31230-20160 31230-20170 31230-33020 31230-32060 31230-44010 31230-44011	35,75(36)	60.000	25.700	79.400	NISSAN/ TOYOTA
CB-3587	ME624678	47.100	68.000	48.700	68.200	MITSUBISHI
CB-360106	360106K1C23	30.000	55.600	17.500	0.182	LADA (SAMARA old)
CB-3606	668659 94379499 8-94379-499-0 8-94453-348-0	41.800	62.000	19.000	-	ISUZU/ OPEL
CB-360708	360708K1C17	40.000	70.000	18.000	0.240	LADA (NIVA/ VAZ old)
CB-360708K3	360708K3	40.000	66.000	17.000	0.230	LADA (NIVA/ VAZ new)
CB-360710	360710Y	50.000	82.000	20.000	0.340	VOLGA old
CB-3609	OK2A1-16-510	29.300	48.000	21.000	37.800	KIA
CB-3615	31230-35070 31230-35080 J3123035070	35.000	50.000	30.600	44.000	TOYOTA/ VOLKSWAGEN
CB-3616	31230-35090	35.000	50.000	33.700	44.000	TOYOTA
CB-3621	8-97023-074-0	42.000	61.000	23.000	82.000	ISUZU
CB-3622	31230-12170	33.400	50.000	22.000	79.300	TOYOTA
CB-3623	4703047 9205336 09269-28006 23265-65G00	28.300	50.000	21.500	55.300	SUZUKI/ VAUXHALL/ OPEL
CB-3625	31230-32060	35.300	60.000	25.200	79.500	TOYOTA
CB-3643	31230-36150	35.100	68.000	30.000	44.200	TOYOTA
CB-3644	31230-36160	38.200	68.000	33.800	48.200	TOYOTA
CB-3649	31230-60150	38.200	68.000	37.600	48.200	TOYOTA
CB-5003	-	37.000	61.000	27.500	42.000	-
CB-5007	-	35.000	51.500	31.900	41.500	-
CB-5008	-	34.000	46.500	25.500	41.500	-
CB-520806	520806KIY	31.000	55.000	19.000	0.132	LADA (SAMARA new)
CB-688811	688811K1C23	55.000	90/89	21.000	0.410	ZIL
CB-688911	688911C17	52.388	84,5/83,5	20.700	0.380	UAZ
CB-8-97089-652-0	8-97089-652-0	40.200	60/78,4	31.300	52.000	ISUZU
CB-9588213	9588213C9	65.000	100.000	21.000	0.623	T-40
CB-9588214	9588214K1C9	70.000	105.000	21.500	0.656	MTZ-50/ MTZ-52
CB-9588217	9588217C23	85.000	125.000	24.500	0.866	T-25/ DTZ-75
CB-96252260580	96252260580	26.800	30,7/38,55	33.000	64.500	FIAT
CB-986710	986710AE1	50.000	82.000	15.800	0.381	VOLGA new
CB-986714	986714KC17	70.000	105.000	21/21,5	0.422	MAZ/ KAMAZ/ KRAZ
CB-E301-16-510A	E301-16-510A	33.000	50.000	24.500	70.200	MAZDA 323
CB-PLC04-23	PLC04-23	25.500	29.500	20.500	72.200	-
68TKP3201	668657 94377417 8-94377-417-0 8-94377-417-1					ISUZU/ OPEL
78TKL4001AR	8-97089-652-0					ISUZU

ISO	GOST	Dimensions (mm)			Basic Load Rating (N)		Weight (kg)
		d	D	B	Dyn. C	Stat. C ₀	
380706	380706	30	85	23/35	25.0	20.4	0.700
380707	380707	35	85	23/36	25.0	24	0.700
380708	380708	40	85	23/39	25.0	20.4	0.800
580204	580204	20	47	14	9.8	6.55	0.108
580205	580205	25	52	15	10.8	8	0.123
580306	580306	30	72	19	19.6	15.3	1.100
680210	680210	50	100	25/45	33.5	29	1.870
680314	680314	70	150	39//70	90	68	3.870
1580205	1580205	25.00	52.00	16.00	10.8	8	0.100
1580206	1580206	30.00	62.00	18.00	15.0	11.2	0.200
1580207	1580207	35.00	72.00	20.00	19.6	15.3	0.316
1580209	1580209	45.00	85.00	21.00	25.0	20.4	0.452
1580211	1580211	55.00	100.00	23.00	33.5	29	0.640
1680204	1680204	20.00	52.00	16/29	10.8	8	0.231
1680205	1680205	25.00	62.00	18/31	15.0	11.2	0.340
1680206	1680206	30.00	72.00	20/35	19.6	15.3	0.480
1680207	1680207	35.00	80.00	21/36	22.4	18	0.610
1680208	1680208	40.00	85.00	21/39	25.0	20.4	0.655

Automotive Joint Cross

CRAFT	APPLICATION	Dimensions (mm)		Weight (kg)
		d	D	
SG 1200A	MTZ	19	44	0.120
SG 1244A	LADA (2101-2201025-02)	23.80	61.30	0.288
SG 1266A	NIVA	28	71	0.446
SG 1277A	NIVA / MOSKVICH	28	84	0.446
SG 1288A	VOLGA (3102-2201025-01)	30	88	0.655
SG 1306A	GAZ (53A-2201025-01)	35	98	0.934
SG 1308A	ZIL / KAMAZ (5320-2201025-02)	39	118	1.412
SG 1310A	KAMAZ (5320-2205025-01)	50	135	2.540
SG 1977A	MA3	50	155.8	3.060

CRAFT	SKF	OEM	APPLICATION	Dimensions (mm)
CRAFT	SKF	OEM	APPLICATION	Dimensions (mm)
T-11000	VKM 11000	026109243A	AUDI/ SEAT/ VW	10.3*72/82.8*26.2/27.5
T-11000-1	VKM 11000-1	026109243E	AUDI/ VW	10.3*72/82.8*20.4/24.5/27.5
T-11010	VKM 11010	068109243F/C	AUDI/ SEAT/ VW	10.3*72*82*30.2/34.8
T-11014	VKM 11014	028109243F	AUDI/ VW/ FORD/ SEAT/ SKODA	66.85/78*30
T-11106	VKM 11106	030109243D	VW/ SEAT/ SKODA	61.5*22
T-12003	VKM 12003	4386575	FIAT/ LANCIA	25*56*29
T-12005	VKM 12005	5256109	FIAT/ LANCIA/ ALFA ROMEO	10.6*40.9/60*25/48
T-12100	VKM 12100	4385583	FIAT/ LANCIA	25*60*29
T-12101	VKM 12101	60805833	ALFA/ FIAT/ LANCIA	10.5*56*27/39.5
T-12151	VKM 12151	7553564	FIAT/ LANCIA/ INNOCENTI	10.4*44.6/61*30/51
T-12174	VKM 12174	60813592	ALFA ROMEO/ FIAT/ LANCIA	8.2*64.8*30/41.5
T-12200	VKM 12200	5972277	CITROEN/ PEUGEOT/ FIAT	30*57*24
T-12215	VKM 12215	7782192	FIAT/ LANCIA	8.2*64.84/28.6/40.1
T-12227	VKM 12227	7541718	FIAT/ LANCIA	10.5*60*25*46.5
T-12241	VKM 12241	46416489	FIAT	65 X 30
T-124797	F-124797	5751.98	CITROEN/ PEUGEOT	10.2*60*26.5
T-13044	VKM 13044	2112-1006120	LADA	10.2*55*26.5
T-13045	VKM 13045	2112-1006135	LADA	10.2*55*26.5
T-13046	VKM 13046	2108-1006120	LADA SAMARA	10.2*55/63.5*21/27.2
T-13100 /13201	VKM 13100 /13201	0829.29	CITROEN/ PEUGEOT	13*59*22/33
T-13200	VKM 13200	0829.12	CITROEN/ PEUGEOT	57*24/31*165
T-13240	VKM 13240	0829.11	LADA/ PEUGEOT	60 X 34
T-13241	VKM 13241	9617188680	FIAT/ PEUGEOT/ ROVER	62 X 34
T-13244	VKM 13244	0829.59	CITROEN/ PEUGEOT/ FIAT/ LANCIA	13.4*60.3*30.3/40.3
T-13253	VKM 13253	0829.9	PEUGEOT/ CITROEN	60 X 25
T-14000	VKM 14000	149615	FORD	8.2/9.6*47*27/33
T-14100	VKM 14100	7330712	COURIER/ ESCORT/ FIESTA/ MONDEO/ ORION/ P100/ SIERRA	52*22
T-14105	VKM 14105	1005516	COURIER/ ESCORT/ FIESTA/ MONDEO/ ORION	52 X 25.5
T-14107	VKM 14107	1021706	FORD	50 X 25
T-14210	VKM 14210	6182891	ESCORT/ FIESTA/ ORION/ SIERRA	57 X 30
T-14301	VKM 14301	844FGK254A2A	FORD TRANSIT 2.5	60*32.8/45.9*137.5
T-15121/70002	VKM 15121/70002	90499401	DAEWOO/ OPEL/ G.M.	8.3*59*19/35.5
T-15202	VKM 15202	9158004	OPEL/ DAEWOO	59*26/34
T-15402	VKM 15402	9158003	OPEL	8*59*22/31.5
T-16000	VKM 16000	13077-00QAD 7700736085	NISSAN/ RENAULT	10.4*50*22
T-16001	VKM 16001	7700273277	RENAULT	55*22
T-16101	VKM 16101	9109609	MITSUBISHI/ RENAULT	50*31/36.6*69.5
T-18200	VKM 18200	2105-1006124	LADA NOVA	25*55/62*22.1/28
T-18200-1	VKM 18200-1	2105-1006124	FIAT	25*57/64*23/26.2
T-21004	VKM 21004	58109244	AUDI/ SEAT/ SKODA/ VW	29 X 29
T-21012	VKM 21012	28109244	AUDI/ FORD/ VW	29 X 29
T-21031	VKM 21031	069109243B	AUDI/ VOLVO	8.5*74.5*28/35.5
T-21032	VKM 21032	074109243K	AUDI/ VW	68.8*35
T-21052	VKM 21052	078109244F/C	AUDI	59*28.3
T-21122	VKM 21122	36109244	AUDI/ SEAT/ VW	56 X 26
T-21131	VKM 21131	038109244E	AUDI/ SEAT/ SKODA/ VW	29 X 29
T-21142	VKM 21142	045109244A	AUDI/ SEAT/ SKODA/ VW	28 X 34
T-22151	VKM 22151	7553565	FIAT/ LANCIA	10.5*61*30/51.5
T-22173	VKM 22173	60652129	FIAT	57 X 29
T-22174	VKM 22174	7763644	ALFA ROMEO/ FIAT/ LANCIA	10.3*53*29/31.1
T-22242	VKM 22242	46400054	FIAT	65*30.5
T-23120	VKM 23120	9400830379	FIAT/ PEUGEOT	60 X 29
T-23214 /23120	VKM 23214 /23120	0830.37	FIAT/ CITROEN/ PEUGEOT	10.2*60*33/41.5
T-23240	VKM 23240	0830.02	LADA/ PEUGEOT	61 X 34
T-23241	VKM 23241	9615923380	FIAT/ PEUGEOT/ ROVER	60 X 33
T-23244	VKM 23244	0830.29	CITROEN/ PEUGEOT/ FIAT/ LANCIA	10.2*60.3*30.3/40.3
T-24100	VKM 24100	1005823	COURIER/ ESCORT/ FIESTA/ MONDEO/ ORION/ P100/ SIERRA	24 X 19
T-24107	VKM 24107	1040677	ESCORT/ FIESTA/ MONDEO/ ORION	58 X 25
T-24211	VKM 24211	6744307	FORD	46 X 29

CRAFT	SKF	OEM	APPLICATION	Dimensions (mm)
T-2451006120	-	245-1006120	TAVRIA	M10*150/57*20/32.7
T-25150	VKM 25150	9128740	OPEL	8.3*52.5/59*23.5/25.5
T-25152	VKM 25152	9128739	OPEL	8.3*62.5/68.5*23.5/25.5
T-25200	VKM 25200	636421	ASCONA/ ASTRA/ BELMONT/ CAVALIER/ KADETT	79 X 27
T-25201	VKM 25201	636422	ASCONA/ ASTRA/ BELMONT/ CAVALIER/ KADETT/ VECTRA	58 X 27
T-25202	VKM 25202	5636424	CALIBRA/ CAVALIER/ OMEGA/ SINTRA/ VECTRA	52.5 X 27.3
T-25208	VKM 25208	636730	ASTRA/ CORSA/ KADETT/ VECTRA	65 X 31
T-25212	VKM 25212	90530126	OPEL/ DAEWOO	52.5/58*29.5
T-25213	VKM 25213	90411773	LADA/ OPEL	8.3*63/68.5*27.5/29.5
T-26100	VKM 26100	7701349659	RENAULT/ VOLVO	22*50*31
T-26101	VKM 26101	7700863112	RENAULT/ VOLVO/ OPEL	50*31/42.5*141.5
T-26102	VKM 26102	7700863111	RENAULT	50*31/42.5*140.2
T-26114	VKM 26114	7700875307	RENAULT CLIO/ EXPRESS/ KANGOO/ MEGANE/ TRAFIC	57*29.5
T-26501	VKM 26501	7700862615	RENAULT	80 X 32
T-28000	VKM 28000	11311721264	3 SERIES/ 5 SERIES	50*21
T-28001	VKM 28001	11311708806	BMW3	32*23
T-31004	VKM 31004	028145278E	AUDI/ VW/ SEAT	M8*78*26.4
T-31007	VKM 31007	37145276	AUDI/ SKODA/ VW	90*25
T-32006	VKM 32006	46454419	FIAT	80 X 25
T-33002	VKM 33002	9627960780	FIAT/ PEUGEOT	85 X 26
T-33015	VKM 33015	4007E4	PEUGEOT	94 X 26
T-33017	VKM 33017	9405751679	FIAT/ PEUGEOT	37 X 27
T-34040	VKM 34040	6789631	FORD/ AUDI	17*76*26
T-35002	VKM 35002	409238	OPEL	10.5*75/80*26.5/30.5
T-36031	VKM 36031	M883834 MW30623983 11925-00QAF 11927-00QAA 4410595 93160256 7700102931 7700104092 8200104754 49170-84A80	mitsubishi/ NISSAN/ OPEL/ RENAULT/ SUZUKI/ VAUXHALL/ VOLVO	
T-38001	VKM 38001	6012000970	CHRYSLER/ VW	8.3*80*25.3*31.4
T-38002	VKM 38002	6012001270	200-300 SERIES	80*25
T-38003	VKM 38003	11281748130	BMW3	80*24.5
T-38004	VKM 38004	6051	3 SERIES	70*25
T-38012	VKM 38012	6012000770	SERIES/ BREAK/ COUPE(W124)/ 200-300 SERIES(W126)	70*26
T-5509	-	PL-5509	-	8*60*27/54.7
T-6012001070	-	6012001070	MERCEDES-BENZ	8.3*64.5/69.5*26.5/30.5
T-70000	VKM 70000	96350550	DAEWOO	60 X 29
T-70001	VKM 70001	93202400	DAEWOO	72*21.8/53.5
T-71001	VKM 71001	13505-54010	TOYOTA	60 X 33
T-71002	VKM 71002	13505-54021	TOYOTA	62*35*47*113
T-71003	VKM 71003	13505-74010 13505-74011	TOYOTA	
T-71007	VKM 71007	13505-02030 13505-15050 13505-15060	TOYOTA	57 X 25
T-71201	VKM 71201	13505-11011	TOYOTA	50*70.5*27/42
T-71400	VKM 71400	13505-11040 13505-11050	TOYOTA	9.8*56*29/42.3
T-74200	VKM 74200	KK150-12-700A	MAZDA/ FORD(JAPAN)/ KIA	52*25/32.3
T-74201	VKM 74201	B660-12-700A	FORD/ KIA/ MAZDA	52*25/31.3*79
T-74501	VKM 74501	F801-12-700B	MAZDA 626	11.4*52*23/30.5
T-74600	VKM 74600	OK972-12-700A	KIA/ MAZDA	52 X 29
T-75001	VKM 75001	MD146186	-	60/70*27/36.5
T-75006	VKM 75006	24410-26000	HYUNDAI	60.3/68*29/40.7*103
T-75601	VKM 75601	23357-42020	MITSUBISHI/ HYUNDAI	60/69.8*100*33.4/42.5
T-75612	VKM 75612	24317-42010	MITSUBISHI/ HYUNDAI	58/66*119*23/29
T-76001	VKM 76001	12810-71C01	SUZUKI	8.2*51*28/30.6
T-76103	VKM 76103	12810-84001	SUZUKI	52.5*131*21.7/31.5

CRAFT	SKF	OEM	APPLICATION	Dimensions (mm)
T-77300	VKM 77300	13505-87702	DAIHATSU	50*67.7*21/24.5/36.5
T-81001	VKM 81001	13503-54010	TOYOTA	60 X 30
T-81004	VKM 81004	13503-63010 13503-63011 13503-63020 13503-63021 13503-70040 13503-88360 13503-88361 13503-88380	TOYOTA	
T-81400	VKM 81400	13503-11030 13503-11040	TOYOTA	
T-85000	VKM 85000	MD156604	MINI/ MITSUBISHI/ HYUNDAI/ VOLVO	60*32/39.5
T-85002	VKM 85002	MD151447	HYUNDAI/ MITSUBISHI/ KIA	10.4*57.6*39
T-FO3987	VKM 11265	046130195B	Audi	60*24

Double Row Angular Contact Ball Bearings

CRAFT	Dimensions (mm)				Weight (kg)	Seal type	APPLICATION
	d	D	B	C			
DAC25520037	25	52	37	37	0.310	D	RENAULT/ PEUGEOT/ CITROEN
DAC25520043	25	52	43	43	0.360	D	RENAULT/ PEUGEOT/ CITROEN
DAC25550053	25	55	43	43	0.410	D	RENAULT
DAC28580042	28	58	42	42	0.440	A, D	SK410
DAC28610042	28	61	42	42	0.500	E	TOYOTA
DAC30500020	30	50	20	20	0.080	D	-
DAC30540024	30	54	24	24	0.100	D	-
DAC30550030/25	30	55	30	25	0.200	E	-
DAC30600037	30	60	37	37	0.420	D	FIAT/ LADA/ LANCIA/ SEAT/ VOLVO
DAC30600337	30	60	37	37	0.420	D	FIAT/ LADA/ LANCIA/ SEAT/ VOLVO
DAC30620032	30	62	32	32	0.400	D	-
DAC30640042	30	64	42	42	0.490	D	-
DAC32720045	32	72	45	45	0.600	E	-
DAC34620037	34	62	37	37	0.410	D	AUDI/ VOLKSWAGEN/ CHRYSLER
DAC34640037	34	64	37	37	0.430	C	LADA/ OPEL/ VOLKSWAGEN/ BEDFORD
DAC34660037	34	66	37	37	0.500	C	OPEL/ VAUXHALL/ HONDA
DAC35640037	35	64	37	37	0.410	C	CHARADE/ DAIHATSU
DAC35650035	35	65	35	35	0.400	A, B, D, F	RENAULT
DAC35660033	35	66	33	33	0.430	D	FIAT
DAC35660037	35	66	37	37	0.480	A, C	VOLKSWAGEN
DAC35680037	35	68	37	37	0.520	A, B, C	FIAT/ LANCIA/ SEAT/ VOLVO/ ZASTAVA
DAC35680233/30	35	72	33	30	0.470	E	NISSAN
DAC35720033	35	72	33	33	0.580	A, B	CITROEN/ PEUGEOT
DAC35720034	35	72	34	34	0.580	A, B	LZW7100
DAC35720233/31	35	72	33	31	0.550	E	-
DAC36680033	36	68	33	33	0.470	D, E	SUZUKI
DAC37720037	37	72	37	37	0.590	A, B, C	FIAT/ FORD/ LANCIA/ RENAULT/ CHRYSLER
DAC37720237	37	72	37	37	0.590	A, B, C	-
DAC37720437	37	72	37	37	0.590	A, B, C	-
DAC37740045	37	74	45	45	0.790	D	BMW/ OPEL/ FORD
DAC38700037	38	70	37	37	0.540	A, B	-
DAC38700038	38	70	38	38	0.550	A, B	CHARADE 7100
DAC38710033/30	38	71	33	30	0.520	E	TOYOTA
DAC38710039	38	71	39	39	0.560	D	-
DAC38720040	38	72	40	40	0.570	D	-
DAC38730040	38	73	40	40	0.62	D	-
DAC38740036/33	38	74	36	33	0.580	E	TOYOTA/ NISSAN

Double Row Angular Contact Ball Bearings

CRAFT	Dimensions (mm)				Weight (kg)	Seal type	APPLICATION
	d	D	B	C			
DAC38740236/33	37.99	74.02	36	33	0.580	E	TOYOTA
DAC38740050	38	74	50	50	0.780	D	NISSAN
DAC38740450	38	74.04	50	50	0.780	D	NISSAN
DAC39680037	39	68	37	37	0.480	A, C, D	VOLKSWAGEN/ FORD/ AUDI
DAC39680637	39	68.06	37	37	0.480	A, C, D	VOLKSWAGEN/ FORD/ AUDI
DAC39680737	39	68.07	37	37	0.480	A, C, D	VOLKSWAGEN/ FORD/ AUDI/ CHRYSLER
DAC39720037	39	72	37	37	0.560	A, B, C	BMW/ OPEL/ FORD/ BEDFORD/ VAUXHALL
DAC39720637	39	72.06	37	37	0.560	A, B, C	BMW/ OPEL/ FORD/ BEDFORD/ VAUXHALL
DAC39740036/34	39.09	74	36	34	0.520	A	VAUXHALL
DAC39740039	39	74	39	39	0.660	D	OPEL/ VAUVHALL
DAC39/41750037	39/41	75	37	37	0.620	A, B, D	AUDI/ PASSAT B5
DAC40680042	40	68	42	42	0.480	C	-
DAC40720036/33	40	72	36	33	0.520	E	-
DAC40720037	40	72	37	37	0.550	A, B, C	VOLKSWAGEN/ SEAT
DAC40740036	40	74	36	36	0.600	A	NISSAN
DAC40740036/34	40	74	36	34	0.580	E	MITSUBISHI
DAC40740040	40	74	40	40	0.660	A, D	-
DAC40750037	40	75	37	37	0.620	D	FORD
DAC40760033/28	40	76	33	28	0.540	D	CRYSLER/ VOLKSWAGEN/ ROVER
DAC40760033	40	76	33	33	0.570	D	-
DAC40760040/38	40	76	40	38	0.680	D	-
DAC40800034	40	80	34	34	0.720	D	-
DAC40800036/34	40	80	36	34	0.740	D	GM/ MITSUBISHI/ HYUNDAI
DAC41680040/35	41	68	40	35	0.500	E	-
DAC42720038	42	72	38	38	0.560	A, D	MAZDA/ FORD
DAC42720038/35	42	72	38	35	0.550	E	-
DAC42750037	42	75	37	37	0.590	A, B, D	ALFA-ROMEO/ AUDI/ PORSCHE/ SAAB/ BMW
DAC42760033	42	76	33	33	0.560	D	-
DAC42760038/35	42	76	38	35	0.620	E	NISSAN
DAC42760038	42	76	38	38	0.630	D	-
DAC42760039	42	76	39	39	0.620	D	CHRYSLER
DAC42760040/37	42	76	40	37	0.640	D	CHRYSLER
DAC42800036/34	42	80	36	34	0.700	D	HYUNDAI
DAC42800037	42	80	37	37	0.720	D	ALFA-ROMEO
DAC42800042	42	80	42	42	0.810	D	BMW/ CHRYSLER
DAC42800342	42	80.03	42	42	0.810	D	BMW/ CHRYSLER
DAC42800045	42	80	45	45	0.860	D	-
DAC42820036	42	82	36	36	0.770	A, B, D	CITROEN/ PEUGEOT/ GM
DAC42840037	42	82	37	37	0.790	A, B, C	AUDI
DAC42840036	42	84	36	36	0.850	E	PEUGEOT 505/ SIMCA/ TALBOT
DAC42840039	42	84	39	39	0.930	A, D	RENAULT/ PEUGEOT
DAC43790041/38	43	79	41	38	0.900	D	-
DAC43/45820037	43/45	82	37	37	0.760	A, B, C, D	AUDI
DAC43/45850037	43/45	85	37	37	0.900	C	AUDI
DAC43820045	43	82	45	45	0.850	A	TOYOTA
DAC45800045	45	80	45	45	0.790	D	-
DAC45840039	45	84	39	39	0.850	A, D	CITROEN/ MERCEDES/ PEUGEOT/ VOLVO
DAC45840041/39	45	84	41	39	0.880	A	-
DAC45840042/40	45	84	42	40	0.900	A	-
DAC45880239	45	88.02	39	39	0.940	A, B	-
DAC49840048	49	84	48	48	0.880	D	-

Radial And Angular Contact Ball Bearings

CRAFT	GOST	Dimensions (mm)			Basic Load Rating (N)		Weight (kg)
		d	D	B	Dyn. C	Stat. C ₀	
776900X	776900X	11.6	39	29	11000	7000	0.150
776900XK2	776900XK2	11.6	46.03	29	11000	7000	0.160
776701XY	776701XY	12	49.4	40	21000	13900	0.337
776702X	776702X	12.75	57.5	48	21000	13900	0.620
776801X	776801X	12.75	51.56	38	21000	13900	0.334
348702K2	348702K2	14.5	52	14	12000	25400	0.180
820702AK8	820702AK8	15	37.65	13.5	7800	3750	0.046
356803E	356803E	17	40	25	13100	7100	0.132
356803E1	356803E1	17	66	25	20700	16200	0.335
156704E1	156704E1	20	50	20.6	17400	15200	0.196
916904E	916904E	20	62	17	26900	14600	0.210
930904AE1	930904AE1	21.5	37	11.5	6550	3040	0.270
126805E	126805E	25	62	17	44000	31500	0.250
746905	746905	26	44	21	26000	2300	0.100
866706E	866706E	28	72	27	53000	41000	0.448
996905E1	996905E1	28	47	13.15	10400	6700	0.080
996805E1	996805E1	28	50	20.15	10400	6700	0.150
706Y	706Y	30	42	7	4150	3300	0.026
7690906	7690906	30	47	8	7000	4500	0.042
808/32A	808/32A	32	66	16	15900	10300	0.230
3207BN	3056207K	35	72	27	40000	32800	0.445
830700AE2	830700AE2	10.1	55	27	11900	6400	0.216
830700AE	830700AE	10.1	55	32.4	11900	6400	0.218
830700AKE	830700AKE	10.1	71	23	11900	6400	0.210
830700AK2E	830700AK2E	10.1	71	26	11900	6400	0.240
830900AE2	830900AE2	10.1	55	27	11900	6400	0.227
830700AE3	830700AE3	10.1	55	30	11900	6400	0.231
830900AE1	830900AE1	10.1	55	32.4	11900	6400	0.211
830900AKE	830900AKE	10.1	60.3	23	11900	6400	0.208
830900AK1E	830900AK1E	10.1	71	26	11900	6400	0.241
256801 E1	256801 E1	12	82	26.7	14700	13100	0.260
256801E	256801E	12	82	30	14700	13100	0.253
830701A	830701A	12	82	18	9650	4150	0.107
180902AK	180902AK	16	35	14	7800	3550	0.055
HB 4366	330802E	16	30	39/92	13000	5400	0.210
HB 4388	330902E	16	30	39/115	10060	5400	0.260
20703 A	20703 A	17	40	14	9500	4750	0.073
20803 A	20803 A	17	47	15.5	13400	6550	0.140
830803AK4	830803AK4	17	64	28	9560	4500	0.108
830803AK3	830803AK3	17	78	28	9560	4500	0.114
7804Y	7804Y	19.058	42.25	16.637	28000	28500	0.130
256705E1	256705E1	25	55	22	14700	13100	0.277
256605E1	256605E1	25	55	28	14700	13100	0.294
256805E	256805E	25	52	23	14700	13100	0.192
256905E	256905E	25	55	30	14700	13100	0.256
6305N	50305Y	25	62	17	22400	11400	0.232
6305 2RSN	750305	25	62	17	22400	11400	0.240
7805Y	7805Y	26	57.15	17.462	26000	33500	0.230
830700AK3E	830700AK3E	27.4	71	25	21100	12500	0.175
256906E	256906E	28	58	42	16100	11600	0.459
7705Y	7705Y	28	67	20.5	44600	43000	0.370
256706E1	256706E1	30	60	37	36500	25100	0.407
6306N	50306Y	30	72	19	29000	16300	0.340
6306 2RSN	750306	30	72	19	29000	16300	0.350
50706Y	50706Y	30	75	19	33000	17850	0.380
750706Y	750706Y	30	75	19	33000	17850	0.400
520806K1Y	520806K1Y	31	55	19	8640	5940	0.132
7707Y	7707Y	33	62	16	72100	73050	0.211
956900KE1	956900KE1	33.05	52	20.6	21161	12539	0.380

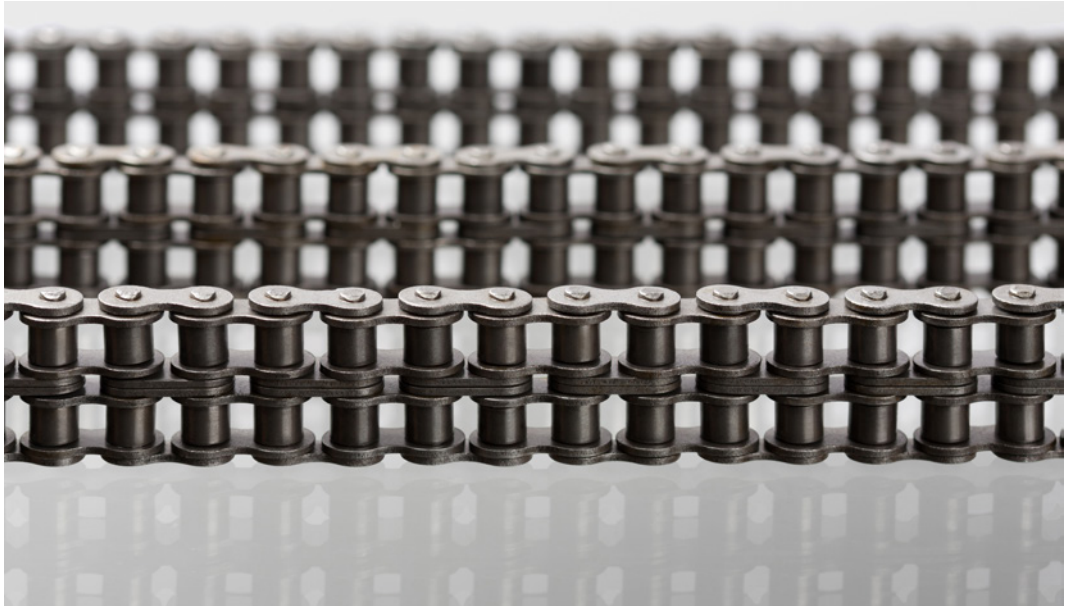
Radial And Angular Contact Ball Bearings

CRAFT	GOST	Dimensions (mm)			Basic Load Rating (N)		Weight (kg)
		d	D	B	Dyn. C	Stat. C ₀	
956900E1	956900E1	33.05	62.17	40	21100	12500	0.430
256907A1E7	256907A1E7	34	64	37	35000	27800	0.427
7807Y	7807Y	34.938	73.03	26.987	66000	78000	0.540
256807E13	256807E13	35	64	37	40000	35000	0.571
256707AK1E12	256707AK1E12	35	68	37	40000	32000	0.550
256908A1E7	256908A1E7	35	68	37	48100	41000	0.578
520907AE	520907AE	37	62	21	15900	8500	0.153
520907A1E	520907A1E	37	62	20.6	16300	10400	0.153
256908AE7	256908AE7	37	72	37	48100	41000	0.578
256808AE	256808AE	40	74.048	40	43840	39280	0.659
256708E	256708E	42	75	37	45400	42500	0.630
280114A	280114A	70	110	28	39000	31500	0.681
280714A1	280714A1	70	110	31	39000	31500	0.702

Various Bearings

CRAFT	GOST	Dimensions (mm)			Weight (kg)
		d	D	B	
1180304	1180304	20	52	18	0.170
1180305	1180305	25	62	21	0.280
160703	160703	17	62	20	0.306
29908K1	29908K1	38,4	72,90	21,34	0.393
98206	98206	30,2	53	16	0.138
170314M	170314Л	70	150	35	3.150
170412M	170412Л	60	150	35	3.470
66412M	66412Л	60	150	35	3.370
108804	108804	20	37	11	0.047
108710	108710	50	80,5	22,8	0.414
108810	108810	50	97,50	32	1.033
180707	180707	35	80	23	0.457
127509AK	127509AK	45	85	24,75	0.577
Y-27911A	Y-27911A	53,975	123,825	39,5	2.230
Y-807813A	Y-807813A	65	110	30,5	1.100
70-592708M1	70-592708M1	40	77,50	23	0.511
6-12115EM	6-12115EM	75	115	20	0.640
7809A	7809A	45	90	38,25	1.140
7909A	7909A	47	100	42,75	1.560
6-7815A	6-7815A	75	135	44,50	2.720
7718	7718	90	160	49,5	4.112
97516A	97516A	80	140	79,625	4.574
530206K1	530206K1	30	62	16/24	0.265
3086313	3086313	65	140	58,7	3.990
954712K1	954712K1	60	120	58/60	2.940
6-137205A	6-137205A	25	52	16,25	0.155
962712XC17	962712XC17	60	109	25	1.065
962715XC17	962715XC17	75	129	30	1.700
6-102409	6-102409	45	120	29	1.770
42415M	42415Л	75	190	45	10.000
57707AY	57707AY	35	80	57	1.230
264706	264706	29.96	43.98	33	0.144
664913E	664913E	62	70	31	0.090

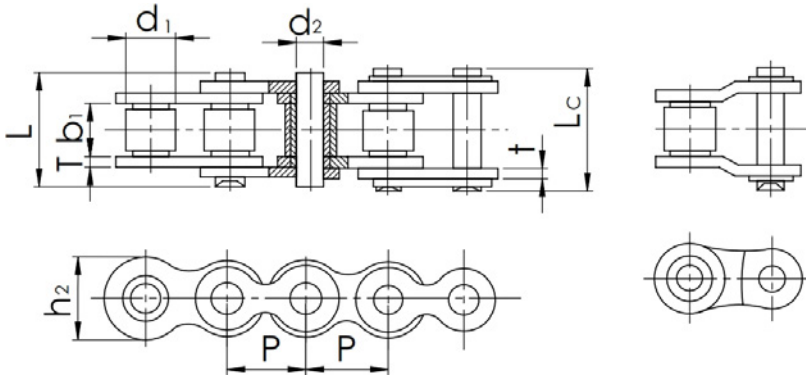
CRAFT	GOST	Dimensions (mm)			Weight (kg)
		d	D	B	
664916E	664916E	81	92	42,5	0.208
664706	664706	30	42	113/59	0.681
3KK20*26*34E	3KK20*26*34E	20	26	34	0.023
3KK30*35*46E	3KK30*35*46E	30	35	46	0.027
3KK42*47*30E	3KK42*47*30E	42	47	30	0.034
K55*63*20E	K55*63*20E	55	63	20	0.046
3KK72*82*45E	3KK72*82*45E	72	82	45	0.405
K80*88*30E	K80*88*30E	80	88	30	0.220
464904E	464904E	19.3	25.3	19.8	0.015
6-92705AE1	6-92705AE1	25	55	18	0.213



Features

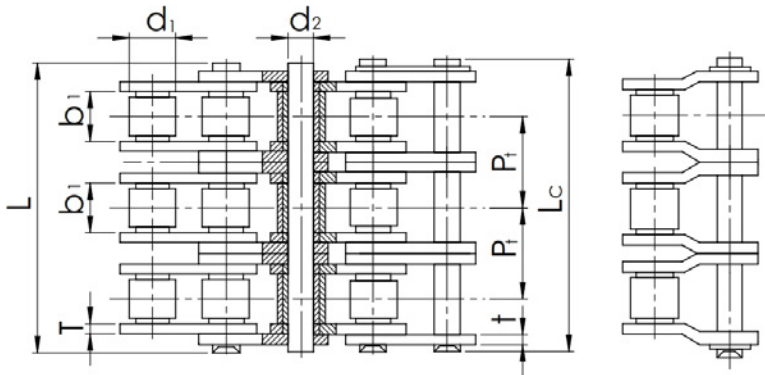
Roller chain is made up of roller links and pin links. Roller link consists of two bushings press-fitted into roller link plates with two free rotating rollers over the bushings. Pin link consists of two pin link plates into which two pins are press-fitted.

Standard roller chain is broadly used in power transmission applications, ranging from general industrial applications to operation in specialized areas, such as food processing, heavy construction equipment, or even demanding oil field service. Single and multiple standard roller chains are available in many sizes.



ISO	GOST	P (mm)	d1 max (mm)	b1 max (mm)	d2 max (mm)	t/T (mm)	h2 max (mm)	Pt (mm)	L max (mm)	Lc max (mm)	U.T.C kN	A.T.S kN	q kg/m
06A-1	ПР9,525	9.53	5.08	4.77	3.58	1.26	8.70	10.13	12.30	13.30	7.90	9.36	0.350
06A-2	2ПР9,525								22.30	23.40	15.80	18.72	0.690
06A-3	3ПР9,525								32.70	33.50	23.70	28.08	1.020
08A-1	ПР12,70	12.70	7.92	7.85	3.97	1.50	12.00	14.38	16.40	17.90	13.80	16.56	0.660
08A-2	2ПР12,70								30.80	32.30	27.60	33.12	1.300
08A-3	3ПР12,70								45.00	46.70	41.14	49.68	1.960
10A-1	ПР15,875	15.88	10.16	9.40	5.08	2.03	15.05	18.11	20.50	21.90	21.80	26.16	1.100
10A-2	2ПР15,875								38.20	40.00	43.60	52.32	2.140
10A-3	3ПР15,875								56.50	58.10	65.40	78.48	3.200
10A-4	4ПР15,875								74.50	76.10	87.20	104.64	4.350
12A-1	ПР19,05	19.05	11.91	12.57	5.94	2.42	18.00	22.78	25.48	26.70	31.10	37.32	1.530
12A-2	2ПР19,05								48.40	49.50	62.30	74.76	3.000
12A-3	3ПР19,05								71.30	73.10	93.40	112.08	4.500
12A-4	4ПР19,05								93.80	96.00	124.40	149.28	5.970
12A-5	5ПР19,05								116.60	119.00	154.00	184.80	7.440
12A-6	6ПР19,05								139.40	142.60	177.10	212.52	8.910
16A-1	ПР25,40	25.40	15.88	15.75	7.94	3.23	23.50	29.29	32.70	34.10	55.60	66.72	2.630
16A-2	2ПР25,40								61.80	63.40	111.20	133.44	5.240
16A-3	3ПР25,40								91.20	94.20	166.80	200.16	7.830
16A-4	4ПР25,40								120.80	123.50	222.40	266.88	10.42
16A-5	5ПР25,40								150.10	153.00	275.80	330.96	13.01
16A-6	6ПР25,40								179.40	182.50	317.00	380.40	15.60
20A-1	ПР31,75	31.75	19.05	18.90	9.53	4.00	30.00	35.76	40.00	43.10	86.70	104.04	4.030
20A-2	2ПР31,75								75.80	78.90	173.50	208.20	8.020
20A-3	3ПР31,75								110.00	115.30	260.20	312.24	12.00
20A-4	4ПР31,75								147.40	151.10	346.80	416.16	15.98
20A-5	5ПР31,75								183.20	187.00	430.00	516.00	19.96
20A-6	6ПР31,75								219.00	223.00	502.80	603.36	23.94
24A-1	ПР38,10	38.10	22.23	25.22	11.10	4.80	36.20	45.44	50.50	54.00	124.60	149.52	5.940
24A-2	2ПР38,10								95.94	99.40	249.10	298.92	11.84
24A-3	3ПР38,10								141.40	144.90	373.70	448.44	17.69
24A-4	4ПР38,10								186.20	189.50	498.40	598.08	23.54
24A-5	5ПР38,10								232.30	235.80	618.00	741.60	29.39
24A-6	6ПР38,10								277.70	281.20	722.70	867.24	35.24
28A-1	ПР44,45	44.45	25.40	25.22	12.70	5.60	42.00	48.87	53.50	57.80	169.00	202.80	7.500
28A-2	2ПР44,45								102.50	106.70	338.10	405.72	14.89
28A-3	3ПР44,45								151.50	155.80	507.10	608.52	22.28
28A-4	4ПР44,45								200.40	204.70	676.00	811.20	29.67
28A-5	5ПР44,45								249.30	253.50	838.20	1005.84	37.06
28A-6	6ПР44,45								298.10	302.40	980.20	1176.24	44.45
32A-1	ПР50,80	50.80	28.50	31.55	14.27	6.50	48.26	58.55	64.67	70.67	222.40	266.88	10.20
32A-2	2ПР50,80								124.02	130.02	444.80	533.76	20.25
32A-3	3ПР50,80								181.80	186.60	680.40	780.60	30.02

ISO	GOST	P (mm)	d1 max (mm)	b1 max (mm)	d2 max (mm)	t/T (mm)	h2 max (mm)	Pt (mm)	L max (mm)	Lc max (mm)	U.T.C kN	A.T.S kN	q = kg/m
32A-4	4ПР50,80								241.12	247.12	889.60	1067.52	40.35
32A-5	5ПР50,80								299.67	305.67	1103.10	1323.72	50.40
32A-6	6ПР50,80								358.22	364.22	1289.90	1547.88	60.45
36A-1	ПР57,15	57.15	35.71	35.48	17.46	7.20	54.31	65.84	72.70	77.10	280.20	336.24	13.95
36A-2	2ПР57,15								138.50	142.90	560.50	672.60	27.62
36A-3	3ПР57,15								204.40	208.80	840.70	1008.84	41.29
36A-4	4ПР57,15								270.20	274.60	1120.80	1344.96	54.96
36A-5	5ПР57,15								336.00	340.40	1389.80	1667.76	68.63
36A-6	6ПР57,15								401.90	406.30	1625.20	1950.24	82.30
40A-1	ПР63,50	63.50	39.68	37.85	19.84	8.35	60.30	71.55	80.00	87.00	347.00	416.40	16.86
40A-2	2ПР63,50								151.60	158.60	693.90	832.68	33.42
40A-3	3ПР63,50								223.20	230.00	1040.90	1249.08	50.50
40A-4	4ПР63,50								294.55	301.60	1388.00	1665.60	66.54
40A-5	5ПР63,50								366.10	373.10	1721.10	2065.32	83.10
40A-6	6ПР63,50								437.65	444.70	2012.60	2415.12	99.68
48A-1	ПР76,20	76.20	47.63	47.35	23.80	10.00	72.38	87.83	99.00	106.00	500.40	600.48	24.25
48A-2	2ПР76,20								188.30	195.30	1000.80	1200.96	48.13
48A-3	3ПР76,20								276.10	283.10	1501.30	1801.56	72.01
48A-4	4ПР76,20								363.93	370.90	2001.60	2401.92	95.89
48A-5	5ПР76,20								451.76	458.80	2482.00	2978.40	119.77
48A-6	6ПР76,20								539.60	547.60	2902.30	3482.76	143.65



ISO	GOST	P (mm)	d1 max (mm)	b1 max (mm)	d2 max (mm)	t/T (mm)	h2 max (mm)	Pt (mm)	L max (mm)	Lc max (mm)	U.T.C kN	A.T.S kN	q = kg/m
04B-1	ПР6,00	6.00	4.00	2.80	1.85	0.60	5.00	-	7.40	10.30	3.00	3.60	0.12
05B-1	ПР8,00	8.00	5.00	3.00	2.31	0.80	7.10	-	7.95	11.70	5.00	6.00	0.19
05B-2	2ПР8,00							5.64	13.60	14.90	6.50	7.80	0.33
06B-1	ПР9,252	9.25	6.35	5.72	3.28	1.30	8.26	-	13.15	13.50	9.00	10.80	0.38
06B-2	2ПР9,252							10.24	23.40	23.80	16.90	20.28	0.74
06B-3	3ПР9,252							10.24	33.60	34.00	24.90	29.88	1.10
08B-1	ПР12,70	12.70	8.51	7.75	4.45	1.60	11.80	-	16.85	18.20	18.00	21.60	0.74
08B-2	2ПР12,70							13.92	30.70	32.20	31.10	37.32	1.47
08B-3	3ПР12,70							13.92	44.60	46.00	46.65	55.98	2.20
10B-1	ПР15,875	15.88	10.16	9.65	5.08	1.70	14.60	-	19.50	20.50	22.40	26.88	0.95
10B-2	2ПР15,875							16.59	36.00	37.20	44.50	53.40	1.88
10B-3	3ПР15,875							16.59	52.60	53.80	66.70	80.04	2.81
12B-1	ПР19,05	19.05	12.07	11.68	5.72	1.85	16.10	-	22.45	23.40	29.00	34.80	1.23
12B-2	2ПР19,05							19.46	42.10	42.90	57.80	69.36	2.42
12B-3	3ПР19,05							19.46	61.60	62.30	86.70	104.04	3.61
16B-1	ПР25,40	25.40	15.88	17.02	8.28	3.24	21.00	-	35.50	36.70	60.00	72.00	2.77

ISO	GOST	P (mm)	d1 max (mm)	b1 max (mm)	d2 max (mm)	t/T (mm)	h2 max (mm)	Pt (mm)	L max (mm)	Lc max (mm)	U.T.C kN	A.T.S kN	q = kg/m
16B-2	2ПР25,40							31.88	68.50	68.60	106.00	127.20	5.51
16B-3	3ПР25,40							31.88	99.50	100.50	160.00	192.00	8.25
16B-4	4ПР25,40							31.88	131.00	132.40	212.00	254.40	11.00
20B-1	ПР31,75	31.75	19.05	19.56	10.19	4.50	26.40	-	41.40	44.00	95.00	114.00	3.90
20B-2	2ПР31,75							36.45	77.50	80.60	170.00	204.00	7.70
20B-3	3ПР31,75							36.45	114.00	116.90	250.00	300.00	11.44
24B-1	ПР38,10	38.10	25.40	25.40	14.63	6.00	33.40	-	53.50	57.70	160.00	192.00	7.14
24B-2	2ПР38,10							48.36	101.80	106.10	280.00	336.00	14.10
24B-3	3ПР38,10							48.36	150.20	154.40	425.00	510.00	20.79
28B-1	ПР44,45	44.45	27.94	30.99	15.90	7.60	37.00	-	65.10	69.00	200.00	240.00	9.36
28B-2	2ПР44,45							59.56	123.15	128.60	360.00	432.00	18.52
28B-3	3ПР44,45							59.56	183.70	188.20	530.00	636.00	27.70
32B-1	ПР50,80	50.80	29.21	30.99	17.81	7.10	42.20	-	64.50	70.00	250.00	300.00	9.94
32B-2	2ПР50,80							58.55	124.10	128.50	450.00	540.00	19.60
32B-3	3ПР50,80							58.55	181.80	187.10	670.00	804.00	29.26
40B-1	ПР63,50	63.50	39.37	38.10	22.89	8.60	52.90	-	80.00	84.30	355.00	426.00	16.40
40B-2	2ПР63,50							72.29	151.60	156.60	630.00	756.00	32.00
40B-3	3ПР63,50							72.29	224.60	228.90	950.00	1140.00	48.30
48B-1	ПР76,20	76.20	48.26	45.72	29.24	10.00	63.88	-	99.00	105.00	560.00	672.00	25.20
48B-2	2ПР76,20							91.21	191.20	196.20	1000.00	1200.00	50.00
48B-3	3ПР76,20							91.21	276.10	287.40	1500.00	1800.00	74.80
56B-1	ПР88,90	88.90	53.98	53.34	34.32	12.40	77.50	-	116.50	122.00	850.00	1020.00	35.00
56B-2	2ПР88,90							106.60	223.10	228.60	1600.00	1920.00	69.30
56B-3	3ПР88,90							106.60	329.70	335.20	2240.00	2688.00	103.60
64B-1	ПР101,60	101.60	63.50	60.96	39.40	13.50	90.00	-	131.30	137.30	1120.00	1344.00	59.50
64B-2	2ПР101,60							119.89	251.20	257.20	2000.00	2400.00	118.50
64B-3	3ПР101,60							119.89	371.10	377.10	3000.00	3600.00	177.50
72B-1	ПР114,30	114.30	72.39	68.58	4.48	16.00	103.50	-	148.20	154.20	1400.00	1680.00	80.00
72B-2	2ПР114,30							136.27	284.50	290.50	2500.00	3000.00	159.00
72B-3	3ПР114,30							136.27	420.70	426.70	3750.00	4500.00	238.00

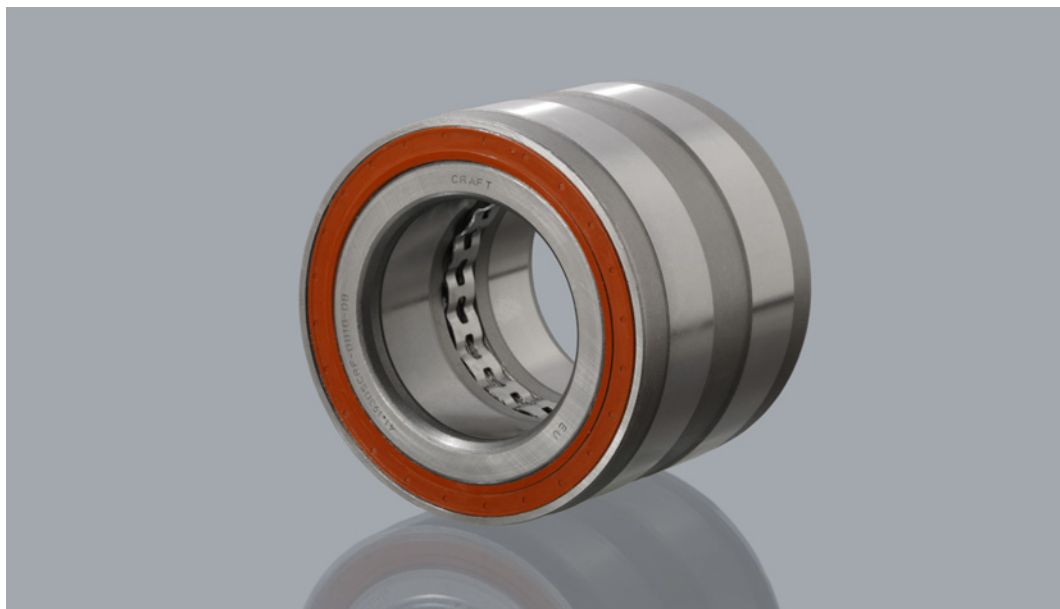


CRAFT BEARINGS

Quality Minded



AUTOMOTIVE BEARINGS



Features

CRAFT bearings Automotive offers a comprehensive range of automotive bearings for trucks, trailers, commercial vehicles and passenger cars, designing and manufacturing bearings for European and Asian vehicles. CRAFT's high quality automotive products, guaranteed through continued control, are designed to withstand harsh conditions.

Tapered roller bearing

Frequently used in truck axles. Tapered roller bearing is able to withstand considerable axial and radial loading. By enlarging the outer ring angle, the bearing ability to withstand the axial load increases.

Ball bearing

That is one of the most popular type of rolling bearings. Ball bearing is widely used also in trucks – transmission, reduction gears and engines. We present ball bearing in accuracy class 6, closed type.

Hub bearing

Used in the axles of commercial trucks. Hub bearings come with seals, greasing and mounting rings that are necessary for replacement.

Hub repairing kit

The set of two tapered roller bearings with seals and rings that are also used in the axle. All hub repairing kits come with seals, greasing, assembling and sealing rings that are necessary for replacement.

Rollers

Rollers and roller systems for the single & tandem side curtains, tent halls and roof & poultry systems

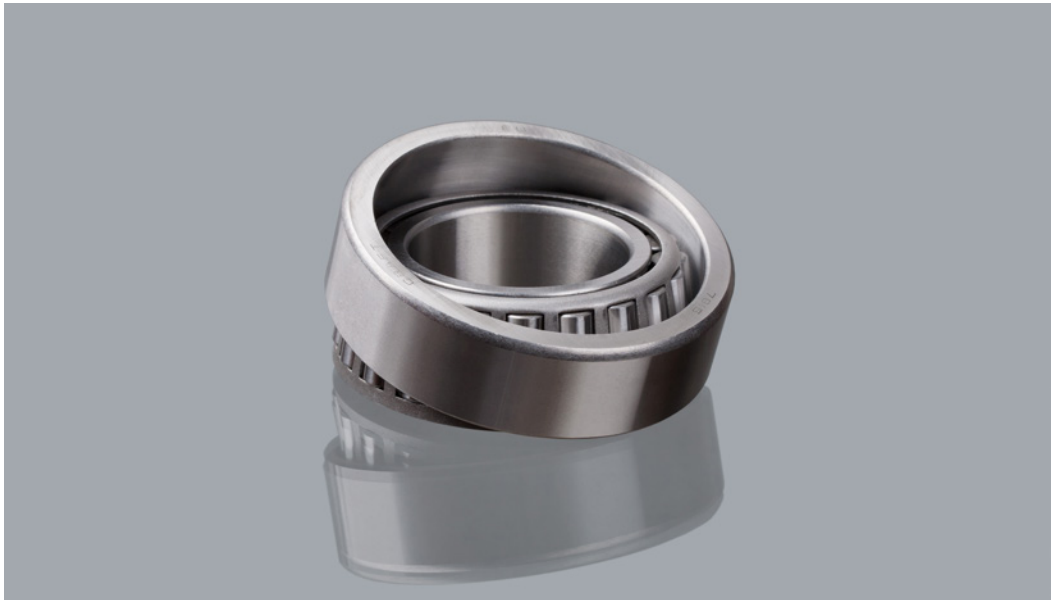
DAC

Double Row Angular Contact Ball Bearing for passenger car wheels



ISO	GOST	BRAND	OEM	SKF	Dimensions	Weight, kg
608 2RSA	180018 A	MAN	06.31460.9100		8,000/22,000*7,000	0.012
6003 2RSA	180103 A	MAN	06.31440.7000 06.31410.4300		17,000/35,000*10,000	0.037
6200 2RSA	180200 A	MAN	06.31450.4300		10,000/30,000*9,000	0.032
6201 2RSA	180201 A	MERCEDES-BENZ	06.31410.8900 005 981 3425 007 981 6725		12,000/32,000*10,000	0.037
6202 2RSA	180202 A	MAN	06.31410.9000		15,000/35,000*11,000	0.045
6203 2RSA	180203 A	RVI	3544565 1908902 06.31410.9102 51.93410.0110 81.93410.0101 007 981 7325 7702037779		17,000/40,000*12,000	0.066
6204 2RSA	180204 A	DAF	1363775 1905010 06.31419.0026 06.31450.6200 06.31450.1700 000625006204 770620400 0226578	VKT 8952	20,000/47,000*14,000	0.106
6205 2RSA	180205 A	ZF	181335 228836 06.31450.1800 06.31450.4800 906 981 0325 0635 332 194	VKT 8673	25,000/52,000*15,000	0.125
6206 2RSA	180206 A	DAF	06.31450.1900 06.31450.6400 1205222	VKT 8994	30,000/62,000*16,000	0.192
6303 2RSA	180303 A	MAN	06.31460.4302 06.31460.0402 06.31420.3302		17,000/47,000*14,000	0.111
6304 2RSA	180304 A	MAN	181876 06.31460.3102		20,000/52,000*15,000	0.148

ISO	GOST	BRAND	OEM	SKF	Dimensions	Weight, kg
6305 2RSA	180305 A	MAN	1313606 06.31420.3602 06.31420.3603 51.93410.0100 51.93410.0018 51.93410.0030 51.93410.0134 51.93410.0101 51.93410.0099 51.93410.0029 06.31469.0001 51.93410.0100		25,000/62,000*17,000	0.232
6306 2RSA	180306 A	DAF	1652989 243866 1652986 209722 06.31420.3803 06.31420.3822 000625900183 002 341 6316 0531037		30,000/72,000*19,000	0.348



ISO	GOST	BRAND	OEM	SKF	Dimensions	Weight, kg
30204 A	7204 A	MAN	06.32489.0015		20,000/47,000*15,250	0.133
30205 A	7205 A	BPW	7703090098 02.6401.25.00	VKHB 2189	25,000/52,000*16,250	0.157
30206 A	7206 A	RVI	8197270 06.32489.0016 773020600 7703090203		30,000/62,000*17,250	0.240
30207 A	7207 A	ZF	1109957 26799950 09 591 30207 11042 0635 371 005		35,000/72,000*18,250	0.341
30208 A	7208 A	ZF	11043 183232 172266 1104291 1362792 012 981 5705 09 591 30208 06.32489.0017 773020800 0635 371 020		40,000/80,000*19,750	0.420
30209 A	7209 A	RVI	11044 631 981 0005 7703090029 002 343 1209	VKHB 2296	45,000/85,000*20,750	0.499
30210 A	7210 A	MERCEDES-BENZ	06.32489.0047 06.32489.0048 06.32489.0049 81.93420.0218 A0.77302.1000 A0.95913.0210 012 981 9705	VKHB 2167	50,000/90,000*21,750	0.566
30211 A	7211 A	RVI	11097 001 981 6205 773021100		55,000/100,000*22,750	0.731
30212 A	7212 A	MERCEDES-BENZ	06.32489.0055 06.32489.0056 000 7200 30212		60,000/110,000*23,750	0.860
30213 A	7213 A	IVECO	1136410 1905312		65,000/120,000*24,750	1.170

ISO	GOST	BRAND	OEM	SKF	Dimensions	Weight, kg
30214 A	7214 A	ZF	11071 11271 129602 1109964 26800020 06.32489.0018 0635 371 011		70,000/125,000*26,250	1.220
30215 A	7215 A	MAN	18412 1102857 06.32489.0019 06.32489.0059 81.93420.6025 87.52310.1410	VKHB 2168	75,000/130,000*27,250	1.340
30216 A	7216 A	MAN	14611 1126121 26800040 001 981 8505 000 981 0205 50 006 09900 6.691.128.000 06.32489.0020	VKHB 2204	80,000/140,000*28,250	1.600
30217 A	7217 A	ZF	1652119 18459 174717 77545 174631 1109968 09 591 30217 0635 371 014		85,000/150,000*30,500	2.100
30218 A	7218 A	KÄSSBOHRER	1102858 06.32489.0021 06.32480.4800 87.52310.1710 6.691.130.000	VKHB 2248	90,000/160,000*32,500	2.630
30219 A	7219 A	SCANIA	33959		95,000/170,000*34,500	3.170
30220 A	7220 A	RVI	06.32489.0032 06.32480.5000 06.32489.0095 A0.02343.1220 81.93420.0090 004 981 2105 004 981 4905 007 981 0005 09 591 30220	VKHB 2164	100,000/180,000*37,000	3.780
30221 A	7221 A	IVECO	1102864	VKHB 2215	105,000/190,000*39,000	4.510
30304 A	7304 A	IVECO	26800320		20,000/52,000*16,250	0.170
30305 A	7305 A	IVECO	26800330 93803934 93806250	VKHB 2262	25,000/62,000*18,250	0.260
30307 A	7307 A	SAF	177801 26800350 8850842 4.200.0011.00	VKHB 2202	35,000/80,000*22,750	0.507
30308 A	7308 A	MERCEDES-BENZ	1109980 001 981 3105 001 981 5005		40,000/90,000*25,250	0.700
30309 A	7309 A	ZF	177802 1109981 26800370 006 981 4205 001 981 3705 773030900 4.200.0012.00 06.32489.0025 0635 372 007	VKHB 2201	45,000/100,000*27,250	0.940
30310 A	7310 A	SAF	26800380 4.200.0013.00		50,000/110,000*29,250	1.200
30311 A	7311 A	MAN	26800620 26800390 4.200.0014.00 06.32489.0026	VKHB 2198	55,000/120,000*31,500	1.670
30312 A	7312 A	MAN	366305 1357711 1102859 000 981 0505 000 981 8905 001 981 9705 012 981 9205 4.200.0015.00 06.32489.0113	VKHB 2283	60,000/130,000*33,500	1.900

ISO	GOST	BRAND	OEM	SKF	Dimensions	Weight, kg
30313 A	7313 A	MAN	4.200.0016.00 02.6402.65.00 06.32489.0053	VKHB 2304	65,000/140,000*36,000	2.330
30314 A	7314 A	SCANIA	1656100 123263 391289		70,000/150,000*38,000	3.040
30315 A	7315 A	SCANIA	32553		75,000/160,000*40,000	3.540
30316 A	7316 A				80,000/170,000*42,500	4.400
30318 A	7318 A				90,000/190,000*46,500	6.030
30319 A	7319 A				95,000/200,000*49,500	6.520
31310 A	6-27310 A	MAN	06.32499.0025		50,000/110,000*29,250	1.230
31311 A	6-27311 A	ZF	18171 14144 06.32499.0026 0635 375 004		55,000/120,000*31,500	1.580
31312 A	6-27312 A	ZF	174716 06.62499.0087 0635 375 006		60,000/130,000*33,500	1.890
31313 A	6-27313 A	MAN	06.32499.0088		65,000/140,000*36,000	1.890
32010 A	2007110 A	RVI	002 981 1205 006 981 4505 009 981 4105 009 981 6005 50 003 91585 50 003 92236	VKHB 2191	50,000/80,000*20,000	0.370
32011 A	2007111 A	RVI	1101597 7162191 8169268 000 981 9002 002 981 1305 002 981 6605 006 981 5605 007 981 0405 50 003 89250 50 003 92237	VKHB 2060	55,000/90,000*23,000	0.568
32013 A	2007113 A	RVI	7164487 60141947 000 7200 32013 50 006 85691	VKHB 2199	65,000/100,000*23,000	0.646
32017 A	2007117 A	ZF	60115335 06.32481.1200 06.32480.1200 06.32489.0060 06.32489.0091 002 333 6246 50 104 43903 184623 005 981 1405 005 981 1505 015 981 0005 0635 370 014	VKHB 2169	85,000/130,000*29,000	1.300
32018 A	2007118 A	ZF	184623 1699173 7162944 1103228 06.32489.0051 06.32489.0011 004 981 1705 004 981 4305 005 981 5605 006 981 0005 000 7200 32018 50 002 54793 50 104 39301 0635 370 034	VKHB 2170	90,000/140,000*32,000	1.780
32019 A	2007119 A	DAF	06.32489.0012 06.32489.0114 06.32489.0115 000 7200 32019 001 980 2602 002 981 5405 003 981 5105 006 981 4705 50 006 82662 50 102 41096 50 104 39224 AMPA012 0622103	VKHB 2161	95,000/145,000*32,000	1.820

ISO	GOST	BRAND	OEM	SKF	Dimensions	Weight, kg
32020 A	2007120 A	ZF	184625 1905027 93161536 001 981 6405 001 981 7205 004 981 7405 006 981 0405 0699117 1364630 06.32489.0119 0635 370 013	VKHB 2306	100,000/150,000*32,000	1.930
32021 A	2007121 A	ZF	06.32489.0071 06.32489.0116 06.32489.0070 8190538 1415140 003 981 2505 003 981 2705 009 981 9401 002 333 6044 6.691.453.000 0635 370 034	VKHB 2160	105,000/160,000*35,000	2.386
32022 A	2007122 A	KÄSSBOHRER	5001014916 351715 362226 6.691.450.000	VKHB 2281	110,000/170,000*38,000	2.982
32024 A	2007124 A	MAN	1102860 1103360 06.32489.0063	VKHB 2216	120,000/180,000*38,000	3.400
32028 A	2007128 A				140,000/210,000*45,000	5.046
32206 A	7506 A	DAF	183583 5996248 1110000 06.32499.0066 06.32499.0080 A0.02343.2206 A0.77322.0600 000 7200 32206 001 981 1505 001 981 6105 001 981 6505 007 981 7605 55 160 10506 7703090085 09 592 32206 002 333 6266 55 160 16470 55 160 16472 0491899 0164670	VKHB 2016	30,000/62,000*21,250	0.280
32207 A	7507 A	RVI	183684 06.32499.0079 06.32499.0068 319 981 0005 50 003 88284 55 160 10573 09 595 32207 09 592 32207	VKHB 2018	35,000/72,000*24,250	0.420
32208 A	7508 A	RVI	183763 214104 1110002 26800140 7164502 06.32499.0062 06.32499.0063 06.32489.0080 81.93420.0246 55 160 14042 09 592 32208 55 160 14518 55 160 14554 773220800	VKHB 2020	40,000/80,000*24,750	0.555

ISO	GOST	BRAND	OEM	SKF	Dimensions	Weight, kg
32209 A	7509 A	MAN	11137 184593 7011137 183764 7019553 09 592 32209 55 160 16467 55 160 16468 55 160 16469 55 160 10587 55 160 16471 773220900 4.200.0022.00 9985454 06.32499.0067	VKHB 2015	45,000/85,000*24,750	0.576
32210 A	7510 A	RVI	183765 11099 7011099 26800160 1110003 000 981 3605 000 7200 32210 000 7204 32210 001 981 8905 002 981 1905 002 981 2205 005 981 5305 319 981 0405 50 007 88063 50 007 88202 09 590 32210 55 160 10507	VKHB 2017	50,000/90,000*24,750	0.644
32211 A	7511 A	GIGANT	183769 1125929 26800170 06.32499.0001 06.32499.0064 87.52330.0600 87.52330.0610 81.93420.0056 A0.02343.2211 000 981 3305 000 981 9005 000 7200 32211 001 981 8405 001 981 8605 002 981 2405 319 981 0205 55 160 10574 55 160 14519 09 592 32211 10500498	VKHB 2019	55,000/100,000*26,750	0.880
32212 A	7512 A	ZF	11075 1652099 1305878 1125573 8121907 09 595 32212 10500481 26800180 0635 373 008	VKHB 2347	60,000/110,000*29,750	1.200
32213 A	7513 A	MAN	11076 177892 1905311 000 981 4105 4.200.0023.00 06.32499.0003	VKHB 2288	65,000/120,000*32,750	1.480
32214 A	7514 A	GIGANT	1103142 09 592 32214 10500503	VKHB 2284	70,000/125,000*33,250	1.680

ISO	GOST	BRAND	OEM	SKF	Dimensions	Weight, kg
32215 A	7515 A	RVI	11066 14102 177893 1103771 06.32490.1400 06.32499.0005 87.52330.1010 A0.02343.2215 A0.77322.1500 000 981 7405 000 981 8405 001 981 4805 327 981 0305 09 592 32215 773221500	VKHB 2033	75,000/130,000*33,250	1.770
32216 A	7516 A	KÄSSBOHRER	11067 181087 14103 000 981 0305 000 981 2401 000 981 7205 000 981 9405 000 7200 32216 006 981 0605 09 592 32216 09 595 32216 6.691.159.000	VKHB 2026	80,000/140,000*35,250	2.000
32217 A	7517 A	MAN	14146 7164544 26800230 000 981 2205 000 7200 32217 002 981 1705 002 981 1805 327 981 0405 327 981 2205 09 592 32217 4.200.0025.00 1524857 06.32499.0007	VKHB 2080	85,000/150,000*38,500	2.500
32218 A	7518 A	MAN	14835 99041057 26800240 1905353 09 592 32218 09 595 32218 4.200.0027.00 99041057 6.691161.000 06.32499.0008	VKHB 2030	90,000/160,000*42,500	3.270
32219 A	7519 A	BPW	181086 33948 1905350 26800250 000 981 2105 09 592 32219 4.200.0026.00 02.6405.95.00 02.6410.28.00	VKHB 2031	95,000/170,000*45,500	3.970
32220 A	7520 A	ROR	123630 1905351 09 592 32220 50 006 82543 99041058	VKHB 2297	100,000/180,000*49,000	4.990
32221 A	7521 A	SAF	26800270 7177004 4.200.0028.00	VKHB 2212	105,000/190,000*53,000	6.100
32222 A	7522 A	BPW	09 592 32222 02.6410.26.00		110,000/200,000*56,000	6.900
32224 A	7524 A	RVI	09 592 32224		120,000/215,000*61,50	8.750
32305 A	7605 A	MAN	93803935 773230500 50 102 51382 06.32490.2700	VKHB 2294	25,000/62,000*25,250	0.380

ISO	GOST	BRAND	OEM	SKF	Dimensions	Weight, kg
32306 A	7606 A	MERCEDES-BENZ	11073 14614 06.32490.2800 06.32499.0112 34.93420.0002 88.93420.6010 A0.02343.2306 A0.77323.0600 000 981 9505 000 7200 32306 001 981 8705 001 981 9505 006 981 5905 001 981 8305	VKHB 2007	30,000/72,000*28,750	0.580
32307						
32308 A	7608 A	MAN	181669 11074 181668 14698 1126887 26800580 06.32499.0015 34.93420.0000 87.52340.0600 A0.85759.6100	VKHB 2001	40,000/90,000*35,250	1.020
32309 A	7609 A	ZF	1194652 11064 1362149 14623 397314 110018 110019 06.32490.3100 06.32499.0013 06.32499.0133 34.93420.0003 81.93420.6051 84.93420.0023 A0.02343.2848 A0.85759.6000 004 981 1305 0773230900 09 595 32309 0140896 0283686 0283684 4.200.0031.00 6.691.168.000 02.6406.45.00 0635 374 006	VKHB 2004	45,000/100,000*38,250	1.470
32310 A	7610 A	BPW	11062 14735 110020 26800600 06.32499.0016 06.32499.0034 81.93420.0131 87.52340.0820 000 7200 32310 001 981 2905 001 981 7405 001 981 8202 006 981 9905 000 981 2005 001 981 7605 09 595 32310 0556289 0626875 02.6410.25.00 02.6406.50.00	VKHB 2070	50,000/110,000*42,250	1.800

ISO	GOST	BRAND	OEM	SKF	Dimensions	Weight, kg
32311 A	7611 A	SAF	11095 183338 14764 178427 26800610 06.32490.3300 06.32499.0017 34.93420.0001 87.52340.0910 006 981 0805 006 981 6905 006 981 7405 010 981 9305 09 595 32311 0275823 0275828 4.200.0032.00	VKHB 2002	55,000/120,000*45,500	2.290
32312 A	7612 A	SAF	1699340 14836 369624 373784 26800390 110022 011 981 6805 011 981 6905 015 981 7505 09 595 32312 4.200.0033.00	VKHB 2003	60,000/130,000*48,500	2.750
32313 A	7613 A	RVI	14736 09 595 32313		65,000/140,000*51,000	3.340
32314 A	7614 A	BPW	26800640 06.32499.0020 004 981 9805 004 981 9905 005 981 0005 012 981 3205 4.200.0034.00 02.6406.70.00 02.6410.27.00	VKHB 2072	70,000/150,000*54,000	4.090
32315 A	7615 A	IVECO	26800650		75,000/160,000*58,000	4.970
32316 A	7616 A	SAF	123629 4.200.0035.00		80,000/170,000*61,500	5.900
32318 A	7618 A	SAF	4.200.0036.00		90,000/190,000*67,500	8.230
32320 A	7620 A				100,000/215,000*77,500	12.000
32321 A	7621 A				105,000/225,000*81,500	16.000
32924 A	2007924 A	SAF	4.200.1010.00	VKHB 2247	120,000/165,000*29,000	2.210
33008 A	3007108 A				40,000/68,000*22,000	0.330
33009 A	3007109 A				45,000/75,000*24,000	0.420
33010 A	3007110 A				50,000/80,000*24,000	0.460
33011 A	3007111 A	MERCEDES-BENZ	003 981 4305 005 981 4405 007 981 5705 009 981 9305 002 981 9305	VKHB 2156	55,000/90,000*27,000	0.700
33012 A	3007112 A	RVI	183777 50 003 50270 50 006 85835 55 160 10033 002 333 6094 55 160 16784 55 160 16786	VKHB 2045	60,000/95,000*27,000	0.710
33013 A	3007113 A	ZF	183766 50 003 50189 50 006 85836 55 160 11446 50 104 39190 002 333 6095 0635 376 019	VKHB 2047	65,000/100,000*27,000	0.770
33014 A	3007114 A	RVI	183778 06.32499.0109 06.32499.0110 81.93420.6016 005 981 5505 005 981 6905 006 981 7605 50 006 85837 55 160 15839 55 160 16788	VKHB 2044	70,000/110,000*31,000	1.120

ISO	GOST	BRAND	OEM	SKF	Dimensions	Weight, kg
33015 A	3007115 A	RVI	183667 183767 1133049 06.324916900 06.32499.0058 06.32499.0059 06.32499.0180 50 003 50029 50 006 85838 50 104 39171 55 160 10498	VKHB 2046	75,000/115,000*31,000	1.150
33016 A	3007116 A	DAF	0631780	VKHB 2140	80,000/125,000*36,000	1.650
33017 A	3007117 A	MAN	264961 1364631 006 981 9705 006 981 8705 007 981 4905 06.32499.0122	VKHB 2321	85,000/130,000*36,000	1.740
33018 A	3007118 A	RVI	183768 1309570 50 003 50020 50 006 85839 55 160 14319	VKHB 2048	90,000/140,000*39,000	2.250
33019 A	3007119 A	DAF	1104923 06.32499.0036 81.93420.0185 87.52460.1503 000 980 9602 002 981 9005 003 981 8605 0676987	VKHB 2082	95,000/145,000*39,000	2.290
33020 A	3007120 A	MERCEDES-BENZ	1905027 06.32499.0124 06.32499.0125 81.93420.0304 001 980 6602 005 981 8405 005 981 8505 006 981 0105	VKHB 2124	100,000/150,000*39,000	2.390
33021 A	3007121 A	ZF	41800341 06.32499.0096 000 980 9702 003 981 2605 003 981 2805 005 981 4905 0266488 0635 376 003	VKHB 2162	105,000/160,000*43,000	3.050
33022 A	3007122 A	MERCEDES-BENZ	06.32499.0044 06.32499.0151 06.32499.0155 004 981 0705 004 981 0905 005 981 2105 008 981 3505	VKHB 2163	110,000/170,000*47,000	3.890
33108 A	3007708 A	RVI	1905252 50 003 90902 50 030 90902 50 101 36759 50 104 39059	VKHB 2190	40,000/75,000*26,000	0.510
33109 A	3007709 A	RVI	003 981 1105 003 981 1605 003 981 9605 006 981 5705 002 333 6078 002 333 6288	VKHB 2056	45,000/80,000*26,000	0.560
33110 A	3007710 A	VOLVO	1654323		50,000/85,000*26,000	0.600
33111 A	3007711 A	MERCEDES-BENZ	7160360 008 981 3605 000 980 7502 000 981 8302 006 981 8205	VKHB 2059	55,000/95,000*30,000	0.860
33112 A	3007712 A	MAN	06.32499.0195		60,000/100,000*30,000	0.940
33113 A	3007713 A	SAF	4690299 06.32499.0039 06.32499.0073 06.32499.0108 06.32499.0116 003 981 4105 000 981 4518 4.200.0055.00	VKHB 2214	65,000/110,000*34,000	1.300
33114 A	3007714 A	DAF	0069658		70,000/120,000*37,000	1.700

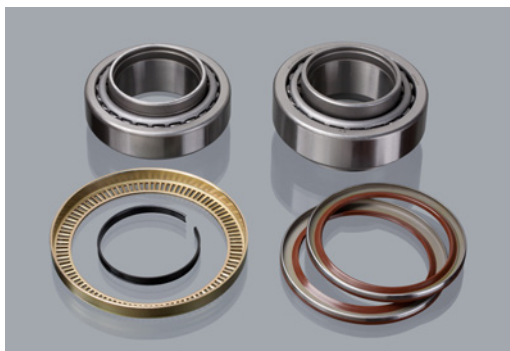
ISO	GOST	BRAND	OEM	SKF	Dimensions	Weight, kg
33115 A	3007715 A	ZF	184678 06.32499.0040 06.32499.0131 06.32499.0189 81.93420.0270 003 981 3205 0221664 0635 376 005	VKHB 2222	75,000/125,000*37,000	1.800
33116 A	3007716 A	GIGANT	1301694 012 981 4005 012 981 4105 017 981 4905 02.6410.24.00 02.6408.80.00 10500572	VKHB 2326	80,000/130,000*37,000	1.900
33117 A	3007717 A	RVI	7164196 001 980 6702 005 981 8305 005 981 8605 005 981 9905 50 006 75250 50 104 39570 50 105 87007	VKHB 2158	85,000/140,000*41,000	2.500
33118 A	3007718 A	GIGANT	7174945 42103253 4.200.1009.00 02.6408.90.00 02.6408.92.00 02.6410.23.00 10500582	VKHB 2331	90,000/150,000*45,000	3.130
33119 A	3007719 A				95,000/160,000*49,000	4.030
33120 A	3007720 A				100,000/165,000*52,000	4.450
33121 A	3007721 A				105,000/175,000*56,000	5.440
33122 A	3007722 A				110,000/180,000*56,000	5.630
331293 A		MERCEDES-BENZ	002 981 9505 003 981 0005 007 981 2505 008 981 5105	VKHB 2155	75,000/115,000*32,950	1.120
331933 A		DAF	06.32499.0043 06.32499.0081 0260204	VKHB 2132	70,000/130,000*57,500	2.830
33205 A	3007205 A	RVI	003 981 1005 003 981 1505 003 981 9505 140 981 0005 006 981 5805 005 981 2205 50 030 90903 50 101 36758 50 018 52654	VKHB 2057	25,000/52,000*22,000	0.215
33206 A	3007206 A	RVI	8582740 06.32499.0065 06.32499.0175 06.32499.0176 50 030 90901 50 030 90068 50 104 39054 50 101 36766	VKHB 2179	30,000/62,000*25,000	0.360
33207 A	3007207 A	SAF	183648 363318 7169935 005 981 0705 014 981 0605 50 006 73467 50 006 90018 50 007 88712 50 104 39055 4.200.0057.00	VKHB 2182	35,000/72,000*28,000	0.550

ISO	GOST	BRAND	OEM	SKF	Dimensions	Weight, kg
33208 A	3007208 A	ZF	1652127 184679 284843 1905261 8582739 06.32489.0002 81.93420.0077 003 981 3905 003 981 7205 004 981 6805 006 981 6205 008 981 7505 50 101 36762 50 104 39056 50 005 46524 02.6407.40.00 10500799 0635 376 023	VKHB 2065	40,000/80,000*32,000	0.716
33209 A	3007209 A	BPW	06.32489.0044 81.93420.0078 003 981 5305 003 981 5705 005 981 4105 004 981 7205 002 333 6131 50 004 37785 50 030 90069 50 004 34273 50 030 90900 50 101 36767 55 160 10587 50 104 39060 0636820 4.200.0063.00 02.6407.45.01	VKHB 2067	45,000/85,000*32,000	0.820
33210 A	3007210 A	DAF	06.32489.0004 06.32489.0041 81.93420.0072 002 981 7905 003 981 8305 004 981 4205 005 981 4005 50 004 42185 50 004 42186 50 004 70672 50 004 70861 50 006 69957 50 104 39057 50 004 42189 0614943	VKHB 2068	50,000/90,000*32,000	0.830
33211 A	3007211 A	MAN	7165686 42492259 004 981 6405 004 981 6505 004 981 6705 006 981 6005 50 005 98486 50 007 86298 50 104 39061 50 104 43519 4.200.0058.00 06.32489.0103	VKHB 2061	55,000/100,000*35,000	1.200
33212 A	3007212 A	SAF	1652563 345835 7160361 06.32489.0045 06.56289.0045 06.32489.0005 02.333 6081 4.200.0064.00	VKHB 2173	60,000/110,000*38,000	1.600

ISO	GOST	BRAND	OEM	SKF	Dimensions	Weight, kg
33213 A	3007213 A	GIGANT	7174946 06.32489.0006 06.32489.0046 81.44050.0075 81.93420.0080 001 980 0902 003 981 7405 003 981 3705 006 981 6305 50 004 37786 50 004 37791 50 008 73122 50 104 39065 50 101 36769 50 100 67672 50 103 68899 50 103 68900 4.200.0060.00 99041045 02.640765.00 02.640767.00 02.6410.22.00 10500558	VKHB 2051	65,000/120,000*41,000	1.910
33214 A	3007214 A	ZF	1654326 1905296 003 981 5205 003 981 5605 003 981 8505 006 981 5205 004 981 7305 002 333 6061 002 333 6111 50 004 70673 50 004 70862 50 101 36663 50 104 39064 50 006 09898 06.32489.0106 0735 371 465	VKHB 2066	70,000/125,000*41,000	2.170
33215 A	3007215 A	BPW	260998 06.32489.0042 81.44050.0070 001 980 2702 002 981 8605 002 981 8905 4.200.0070.00 02.640775.00 02.6410.29.00 02.6408.29.00	VKHB 2028	75,000/130,000*41,000	2.270
33216 A	3007216 A	DAF	50 006 75627 50 105 87008 50 007 85898 50 007 85909 0556290	VKHB 2194	80,000/140,000*46,000	3.020
33217 A	3007217 A	BPW	1699339 41800342 02.6407.85.00	VKHB 2225	85,000/150,000*49,000	3.700
33220 A	3007220 A	MERCEDES-BENZ	06.32499.0046 06.32499.0097 81.93420.0104 003 981 4505 004 981 1005 008 981 3405	VKHB 2165	100,000/180,000*63,000	6.780
332330 A		KÄSSBOHRER	005 981 3105 005 981 3005 005 981 8805 6.691.383.000 6.691.383.000E	VKHB 2071	70,010/130,000*57,750	2.780
39580/39520 A		VOLVO	20428192 8151820 184088 815820	VKHB 2036	57,150/112,712*30,162	1.361
39581/39520 A		FORD	A 790X 1200 BA	VKHB 2088	57,150/112,712*30,162	1.361
39590/39520 A		MAN	183245 81.93420.0163	VKHB 2175	66,675/112,712*30,162	1.144
537/532 A		VOLVO	181338+181402	VKHB 2014	50,800/107,950*38,100	1.497
575/572 A		VOLVO	181124+181125		76,200/139,992*36,512	2.319

ISO	GOST	BRAND	OEM	SKF	Dimensions	Weight, kg
580/572 A		RVI	181299+181125 000 981 5605 002 981 0005 004 981 4605 004 981 4705 004 981 4805 09 599 01082	VKHB 2041	82,550/139,992*36,512	2.200
594/592 A		ZF	181298+181128 191298+181128 5822 303 003	VKHB 2040	95,250/152,400*39,688	2.540
598/592 A		MERCEDES-BENZ	181127+181128 000 981 7505 000 981 7905 001 981 4505	VKHB 2083	92,075/152,400*39,688	2.548
663/653 A		DAF	184794 181280+181281 0174592	VKHB 2043	82,550/146,050*41,275	2.767
683/672 A		DAF	181278 181278+181279 002 333 6006 0174597	VKHB 2042	95,250/168,275*41,275	3.680
7815 A	6-7815 A				75,000/135,000*44,500	2.720
T2ED070 A		SCANIA	8151816 322748	VKHB 2024	70,000/130,000*43,000	2.400
215249/215210 A		SAF	183348 4.200.1007.00	VKHB 2050	75,987/131,975*39,000	2.080
218248/218210 A		ROR	1698580 183351 1524625 291060 002 333 6108 4.200.1006.00 99041035	VKHB 2029	89,975/146,975*40,000	2.515
220149/220110 A		IVECO	1905300	VKHB 2285	99,975/156,975*42,000	2.842

ISO	BRAND	OEM	SKF	Dimensions	Weight, kg
41.03628	DAF	1697346		69,800/120,000*35,000*50,000 70,000/125,000*47,250*51,650	4.150
41.03650	SAF	3.200.2001.51 3.434.3650.00 4.200.2001.00 4.200.2001.01		82,000/195,300*110,000	14.800
41.05052	DAF	1812161 1818003		100,000/148,000*47,250*67,500	5.700
41.05923	DAF	1818004		69,800/120,000*47,250*57,000 70,000/125,000*47,250*57,000	4.700
41.19305	MERCEDES-BENZ	81.93420.0354 81.93420.0344 014 981 9905 014 981 9305 017 981 5005			
41.24482	SCANIA	1413785 1439070 1443078 1476945 1724482	VKBA 5314	68,000/127,000*115,000	6.257
41.39770	RVI	50 104 36014 50 104 39770 504189654		70,000/194,000*112,000	11.300
41.67828	VOLVO	21036050 20484350 20967828		93,800/148,000*61,000	4.563
41.67830	RVI	20518617 20967830 7420518617 7421021381		58,000/110,000*115,000	4.500
41.67831	VOLVO	20967831		68,000/125,000*61,000	4.773
41.83074	DAF	1905487 2996882 7183074 7183075 7189648 7189050 7179751 1400291 1408086	VKBA 5397	90,000/160,000*126,000	10.250
41.93288	MAN	81.93420.0330 81.93420.0288 81.93420.0349	VKBA 5377	70,000/196,000*130,000	13.650
41.93420	MAN	81.93420.0320 81.93420.0342 81.93420.0376 81.93420.6097	VKBA 5408	105,000/160,000*140,000	6.968
2DAC-512165	HYUNDAI	52710-22600 52710-22600B 5271029100 5271029450	BR930273		
2DAC-512192	HYUNDAI	52710-25100	BR930281		
2DAC-512193	HYUNDAI	52710-25000 52710-25001	BR930280		
2DAC-513193	SUZUKI				
2DACF4-100/526	NISSAN	43200-0M000 43200-0M001 43200-4B000	BR930134		
2DACF51143/505	HYUNDAI	52710-22000 52710-22100 52710-22200 52710-22300	BR930175		
2DACF41143/574	NISSAN	27BWK03Bg			
2DACF51143/565	VOLVO	MR493619 30812651	BR930257		
2DACF8-100/495	HONDA	42200-S04-008 42200-SB2-015 42200-SD2-018 42200-SH3-008 42200-SH3-018 42200-SH3-028 42200-SX8-008	VKBA1379		
WKH-6920	TOYOTA	42423-BZ010 9004A-31018 9004A-36012	VKBA6920		



41.03628



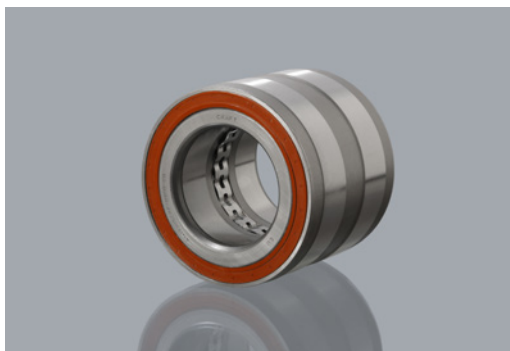
41.03650



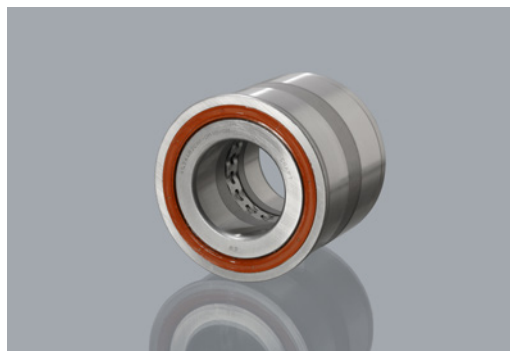
41.05052



41.05923



41.19305



41.24482



41.39770



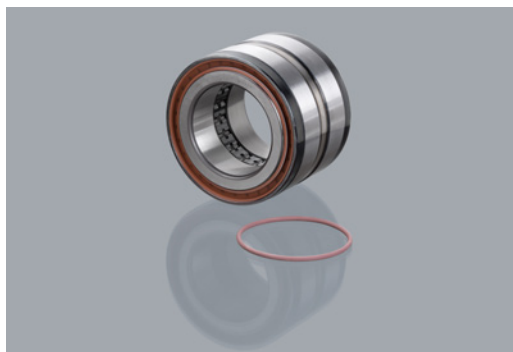
41.67828



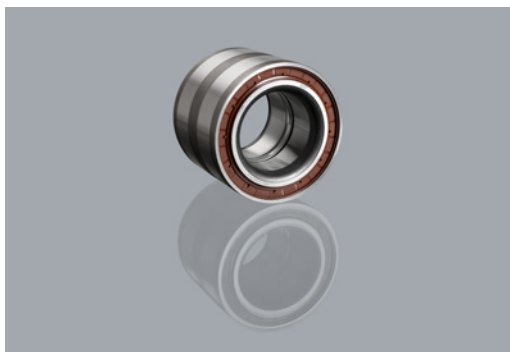
41.67830



41.67831



41.80379



41.83074



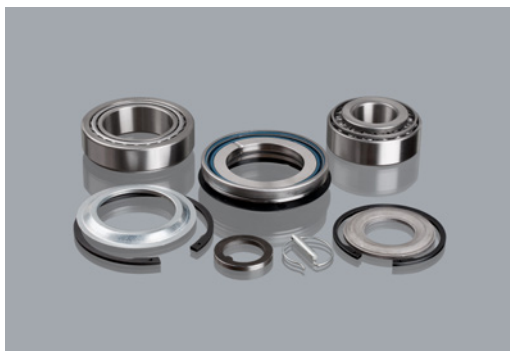
41.93288



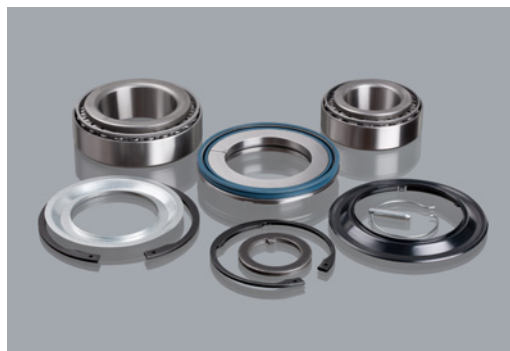
41.93420

ISO	Brand	Application	OEM	SKF	SNR	Dimensions	Weight
43.25736	IVECO	Daily	99825736 93824579	VKBA 3551	R140.13	40.000/73.000*55.000	0.986
43.80066	IVECO	Daily	7180066	VKBA 3552	R140.14	55.000/90.000*60.000	1.374
43.80202	NISSAN	X-Trail, Qashqai	40202-JG01A 40073-0L700 40202-JG000	VKBA 6996	R168.73	28,400/136,000*75,300	2.720
43.80498	VOLKSWAGEN	Transporter IV	7D0498625	VKBA 3406	R140.97	45.000/80.000*45.000	1.510
43.80959	FORD	Transit	634049 5015650 634048	VKBA 959	R140.80	50.800/85.000*17.463	1.106
43.81598	VOLKSWAGEN	Transporter IV	701598625B		R140.98	45.000/80.000*45.000	0.580
43.83406	VOLKSWAGEN	Transporter IV	701498625	VKBA 3406	R154.32	45.000/80.000*45.000	0.720
43.83434	MERCEDES-BENZ	Sprinter	604 330 0025 611 330 0825 2D0498625	VKBA 3434	R140.76	25.000/52.000*22.000	0.582
43.83435	VOLKSWAGEN	LT 28-46	A0179814605 902 350 0068 902 350 1410 2D0501319	VKBA 3435	R154.46	49.000/84.000*48.000	1.300
43.83475	MERCEDES-BENZ	Sprinter	2D0501319A 2D0501319B A0079810405 A0079815505	VKBA 3475	R154.47	50.000/90.000*24.750	1.204
43.83550	TOYOTA	Auris, Avensis, Corolla, RAV 4	43550-02010	VKBA 6874	R169.72	28.000/139.000*76.400	3.404
43.83640	FIAT	Ducato	332662 1346651080 1328046080 1347527080	VKBA 3640 VKBA 3689	R140.17	49.000/84.000*48.000	1.182
43.83641	FIAT	Ducato	332669 332663 1346650080 1328054080	VKBA 3641	R140.38	55.000/90.000*60.000	1.640
43.83642	FIAT	Ducato	373032 1328029080 71729126 71753818	VKBA 3642	R140.37	42.000/75.000*60.000	1.380
43.83646	VOLKSWAGEN	Transporter V, Touareg, Multivan V	7H0401611E 7H0401611H 7L0498611 7H0498611 7H0401611D	VKBA 3646	R154.58	30.000/85.000*45.000	4.170
43.83655	FORD	Transit	4519424 1318154 1318151	VKBA 3655	R152.66	45.000/189.000*93.000	5.962
43.86139	VOLVO		1336139 1471859 1326487 1471854 1223640 30714730 30730828 30714492 30683161	VKBA 3660	R152.62	26.410/78.000/131.000*37.000	2.614
43.86571	FIAT	Ducato	370182 51754942	VKBA 6571	R141.00	42.000/143.000*103.000	4.670
43.86572	FIAT	Ducato	517549410 51754941	VKBA 6572	R140.89	42.000/160.000*103.000	4.490
43.86702	VOLKSWAGEN	Transporter IV	701598625 701598625A	VKBA 3406	R154.33	45.000/80.000*45.000	0.894
42.098033	BPW		09.801.02.72.0 09.801.02.33.0	VKBA 5521		50,000/110,000*42,250 80,000/130,000*37,000	5.110
42.098034	BPW		09.801.06.89.0 09.801.02.34.0	VKBA 5522 VKBA 2422		90,000/150,000*45,000 65,000/120,000*41,000	6.640

ISO	Brand	Application	OEM	SKF	SNR	Dimensions	Weight
42.343012	SAF		4.200.1016.02 3.434.3012.00			120,000/175,000*123,000	6.650
42.343016	SAF		3.434.3016.00			65,000/120,000*41,000 89,975/146,975*40,000	5.650
42.343018	SAF		3.434.3018.00			82,000/138,000*51,750	5.850
42.343019	SAF		3.434.3019.00				5.058



42.098033



42.098034



42.343012



42.343016



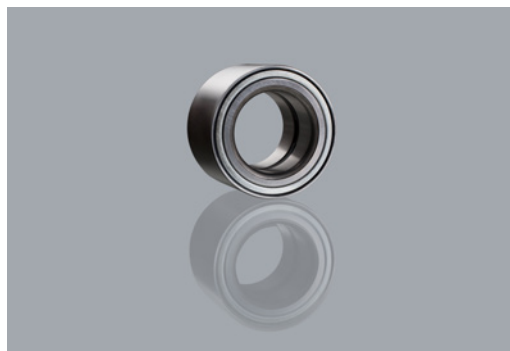
42.343018



42.343019



43.25736



43.80066



43.80202



43.80498



43.80959



43.81598



43.83406



43.83434



43.83435



43.83475



43.83550



43.83640



43.83641



43.83642



43.83646



43.83655



43.86139



43.86571



43.86572



43.86702

ISO	OEM	Application	Weight (kg)
55.0091	4038080090	EDSCHA	0.024
55.1001			0.030
55.1158	1026011	CHMITZ	0.030
55.1168			0.032
55.1300	4038081301	EDSCHA	0.037
55.3004	83004	EDSCHA	0.023
55.3367	801583	KOGEL	0.032
55.3968	801584	KOGEL	0.026
55.4241	SPRT0028W		0.165
55.6740			0.023
55.6741	1016741	EDSCHA	0.044



55.0091



55.1001



55.1158



55.1168



55.1300



55.3004



55.3367



55.3968



55.4241



55.6740



55.6741



ISO	GOST	d	D	B	C	BRAND	APPLICATION	OEM	SKF
DAC27520045/43		27	52	45	43	NISSAN			
DAC27600050		27	60	50	50	NISSAN			
DAC28580042		28	58	42	42	SUZUKI	SK410		
DAC28610042		28	61	42	42	TOYOTA	COROLLA GTI AE92 1.6X 16V 87-		VKBA1346
DAC30500020		30	50	20	20				
DAC30540024		30	54	24	24				
DAC30600037	6-256706	30	60	37	37	SKODA			
DAC34640037	256907	34	64	37	37	OPEL	VECTRA A 1988-1995	09267-34001	BA2B309726
DAC34660037		34	66	37	37	CHEVROLET	ASTRA COMBO CORSA TIGRA VECTRA WIND	90447280	BAHB636114A
DAC34670037		34	67	37	37	OPEL	MERIVA C 2003 UP TO 2007 COMBO 1.4, 1.6, 1.7D. CORSA C 2000 UP TO 2007 TIGRA 2004 UP TO 2007 VECTRA CORSA II 2000 UP TO 2006	93362342	VKBA3600
DAC35650035		35	65	35	35	CHRYSLER			
DAC35660037	256807	35	66	37	37	CHRYSLER			BAHB311309; BAHB0023
DAC35680037	256807	35	68	37	37	SAAB	600	X044193140, SE127140301A, RF14030102, 7634573, 5941798, 7634573, 59417980, 4419314, 4412983, 0076345730	BAHB633967
DAC36680033		36	68	33	33	SUZUKI	SWIFT 1.0 86-89,1.3 84-89, GTI 1	09267-36001, 2	VKBA1930; BAH0087
DAC37720037	256908	37	72	37	37	PEUGEOT	206	7703090353, 7700822985, 7700800051, 82374669	BAH0012
DAC38700037		38.1	70	37	37	KIA	VISTO 1.0 RIO	51720-02000, 51720-29150, 51720-25000, 51720-29400	BAHB636193C
DAC38700038		38	70	38	38	DAEWOO	CHARADE TJ7100		
DAC387100392		38	71	39	39	TOYOTA	YARIS 99-	90369-38021, 38022	VKBA3929
DAC38710233/30		37.99	71.02	33	30	TOYOTA	PASEO (USA 91- EUROPA 95-), Corolla, Tercel (90-94)	90369-38006	
DAC38720040		38	72	40	40	HONDA	44300-SB-3-961/2 CIVIC		VKBA1377
DAC38720236/33		37.99	72.02	36	33	TOYOTA	90369-38010/11 Corolla 1.6 lt, Sprinter	90369-38011, 90363-38006	VKBA1191

ISO	GOST	d	D	B	C	BRAND	APPLICATION	OEM	SKF
DAC38730040		38	73	40	40	HONDA	ACCORD CF3/CF4/CF5/ CL1/CL3, AVANCIER TA1/ TA2/TA3/TA4, TORNEO CF3/CF4/CF5	44300S0E008, 44300- S0E-008, 44300- SX1-008, 14130404, 44300S., WB2026, J4714040	
DAC38740036/33		38	74	36	33	MAZDA	323, PROTEGE	40210-50Y00, 40210-50Y05, 1N00-33-047 , 90369-38003	
DAC38740050		38	74	50	50	NISSAN	SUNNY B12, ALMERA N13 1986-1990		
DAC38740236/33		37.99	74.02	36	33	TOYOTA	RAV4, Caldina ('97)	90369-38002 90369-38003	BAH0041
DAC39680037	537808	39	68	37	37	VOLKSWAGEN		H001-26-151 , 811407625	BA2B309692; BAHB311315BD
DAC39720037		39	72	37	37	BMW	318TDS E30/36 318TDS Suspension Reforzada		
DAC39740039		39	74	39	39	OPEL	LACETTI LEGANZA, REZZO	90425658, 926739004, 94535259, 90510542	BAHB636096A
DAC39740236/34		39.1	74.02	36	34	KIA	CERATO 2004/2008	51720-2D000 , 51720-2D100	VKBA6812
DAC40720036/33		40	72	36	33	SUZUKI	AERIO/LIANA IGNIS SWIFT	09267-40001	
DAC40720037		40	72	37	37	VOLKSWAGEN	POLO CLASSIC (6KV2) 1995-2002 CADDY II (9K9B) 1995-2004 GOLF II 1983-1992 GOLF III (1H1) 1991-1997 PASSAT B3/B4 1988-1996 PASSAT VARIANT B3/B4 1988-1996	357407625 (A) (D) (E)	BAHB311443B
DAC40740036/34		40	74	36	34	MITSUBISHI	Montero(Pajero), PROTON	MB808442	
DAC40740036		40	74	36	36	MITSUBISHI	LANCER, SUZUKI GRAND ESCUDO	MR519097, 40210-4M400	
DAC40740040		40	74	40	40	SKODA	OCTAVIA I 1996-2010	DAC407440CS77	BAHB636060C
DAC40740042		40	74	42	42	TOYOTA	Celica, Corolla	90363-40066	
DAC40750037		40	75	37	37	VOLVO	S40 I 1996-2004	EC01-26-139A	BAHB633966
DAC40800036/34		40	80	36	34	MITSUBISHI	CARISMA DA 1995-2003 CHARIOT/SPACE WAGON GRANDIS N33W/N43W 1992-2000 EXPO N44 1991-1996 EXPO-LRV N21/N24 1991-1995 SPACE RUNNER N11W/ N18W/N21W 1991-1998 SPACE STAR DG1A/ DG3A/DG4A/DG5A 1998-2004	MB303865	BAHB636187
DAC408000381		40	80	38.1	38.1	SIMCA	TALBOT 150, 1100, 1200, 1307, 1308, 1309, 1510, ALPINE, BAGHEERA, HORIZON, MATRA, MINXSOLARA	005 700 5700 , 001 754 0300 , 05 21 550 900	443096B
DAC41680040/35		41	68	40	35	SUZUKI	JIMNY 4WD 98- SAMURAI, VITARA	09267-41001	
DAC42720038/35		42	72	38	35	SUBARU	FORESTER S10 1996-2002 FORESTER S11 2001-2007 IMPREZA G10 1992-2002 IMPREZA G11 2000-2007 LEGACY B10 1989-1994 B11 1993-1998	28316-AE000	VKBA3235
DAC42750037	256708	42	75	37	37	BMW			309245.00
DAC42760038/35		42	76	38	35	NISSAN	AXXESS M11 1989-1994 BLUEBIRD U13 1991-1995 MAXIMA/CEFIRO A32 1994-2000 PRIMERA P10 1990-1996 PRIMERA P11 1996-2001	72GB1238A1A , 72GB1238A2A , 72GB1238AA	309945A
DAC42760039		42	76	39	39	CHRYSLER	PT CRUISER 2001-2009	52710-26530	

ISO	GOST	d	D	B	C	BRAND	APPLICATION	OEM	SKF
DAC43760043		43	76	43	43	NISSAN	ALMERA TINO V10M 1998-2003 ALTIMA L31 2001-2006 MAXIMA A34 2003-2008 MAXIMA/CEFIRO A33 1998-2006 PRIMERA P12 2001-2007 SERENA C24 1999-2004 X-TRAIL T30 2000-2006	40210-3Z000, 40210-2Y000, AU09083LL, L260, 43BWD12A	
DAC43790041/38		43	79	41	38	HONDA	BALLADE 1997-2000 CIVIC COUPE EJ1 1993-1995 ; EJ9/EK1/ EK3/EK4 1995-2001 ; EU/ EP/ES 2001-2006 ; GX EN1/EN2 1999-2005 ; FERIO EG#/EH1/EJ3 1991-1995 ; FERIO EK#/ EJ9 1995-2001 ; FERIO ES1/ES2/ES3 2000-2006 CR-V RD1/RD2 1997-2001 CR-X DELSOL EG1/EG2/EJ4 1992-1998 DOMANI MA4/MA5/MA6/MA7 1992-1996	44300-S04-A02	VKBA3246
DAC45840039		45	84	39	39	MERCEDES BENZ	ES124, 190C-CLASS CL203, S202, S203, W202, W203CLC- CLASS, CLK (A208) (A 209) (C 208) (C 209) E-CLASS (A124) (C124) (W124) (W210) SL (R129) SLK (R171) ; FERIO ES1/ES2/ES3 2000-2006 CR-V RD1/ RD2 1997-2001 CR-X DELSOL EG1/EG2/EJ4 1992-1998 DOMANI MA4/MA5/MA6/MA7 1992-1996	202 981 01 27 , 124 980 00 16 , 001 981 04 27 , 9609594780 , 9503562080 , 3326.45 , 3326.38	BAHB309797C
DAC45840042/40		45	84	42	40	ACURA	MDX , RSX , TSX		B-DE0994
DU25520037	537905	25	52	37	37	CHEVROLET	AVEO	3730.21 , 3730.27, 4247.25, 95496453, 95608940, 7703090253, 7703090416, 7703090433	BT2B445539CC
DU27530043		27	53	43	43	VAUXHALL	CORSA MK II CORSAVAN MK II TIGRA TWIN TOP	9196286 , 1604007 , 9156695	VKBA3601
DU34640037		34	64	37	37	DAEWOO	CIELO 1.5 KALOS 1.4 LANOS 1.4 Y 1.5 SOHC LEMANS NEXIA W/O ABS CIELO 1.8 W/O ABS	328100 , 328104 , 90065431 , 90279331 , 2108-3103020	BA2B309726A; 309726 DA
DAC38640036/33		38	34	36	33	TOYOTA	Corolla (100) Wagon - 1.8 Familiar 115cv Corolla (110) Wagon - 1.8 i Familiar 110cv Corolla (110) Wagon (fab. Japon) - 1.8 i Familiar 115cv Celica (ST18) - 2.0 Turbo 201cv , 2.0 Turbo 201cv	90369-38018	

ISO	GOST	d	D	B	C	BRAND	APPLICATION	OEM	SKF
DAC4382004		43	82	45	45	TOYOTA	Camry (MCV/SXV20) - 3.0 i V6 Berlina 190cv , 2.2 i Berlina 136cv , 2.2 i Berlina 136cv Camry (SX/VC10) Berlina - 3.0 i V6 188cv , 2.2 i 136cv , 2.2 i 136cv , 3.0 i V6 188cv Camry (SX/VC10) Familiar - 2.2 i 136cv , 2.2 i 136cv , 3.0 i V6 188cv , 3.0 i V6 188cv MR 2 - 2.0 i Coupe 160cv , 2.0 i Coupe 140cv , 2.0 i Coupe 140cv , 2.0 i Coupe 156cv , 2.0 i Coupe 175cv Picnic - 2.0 i 129cv , 2.0 i 129cv , 2.2 TD 90cv		VKBA3237
DU43790045		43	79	45	45	INFINITI			GRW274
DU40750050		40	75	50	50				
DU42800038		42	80	38	38	ISUZU		43210-0W000	GRW190

